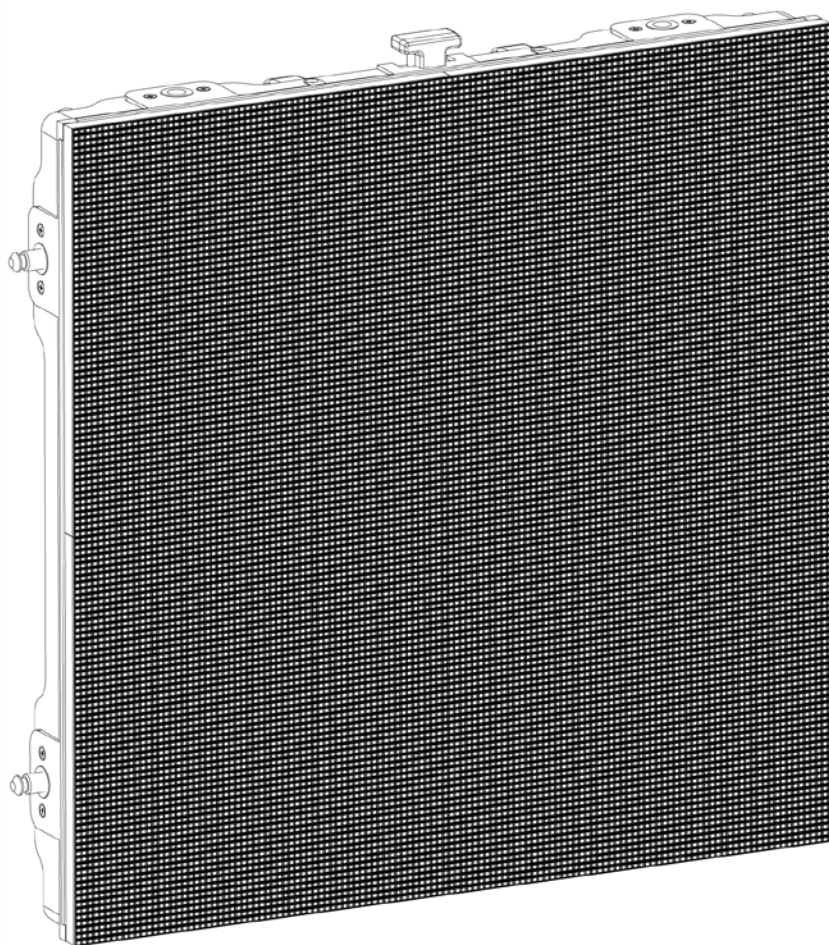


RVP **X3**

User Manual



CHAUVET
PROFESSIONAL

Edition Notes

This User Manual covers the description, safety precautions, setup, installation, operation, and maintenance for all Precision Video Panels offered by Chauvet. This edition was published in January 2016.

Trademarks

Chauvet is a registered trademark of Chauvet & Sons LLC. (d/b/a CHAUVET or Chauvet). The CHAUVET logo in its entirety including the Chauvet name and the dotted triangle, and all other trademarks on this manual pertaining to services, products, or marketing statements are owned or licensed by Chauvet. Any other product names, logos, brands, company names, and other trademarks featured or referred to within this document are the property of their respective trademark holders.

Copyright Notice

Chauvet owns the content of this user manual in its entirety, including but not limited to pictures, logos, trademarks, and resources.

© **Copyright 2016 Chauvet. All rights reserved.**

Electronically published by Chauvet in the United States of America.

Manual Usage

Chauvet authorizes its customers to download and print this manual for professional information purposes only. Chauvet expressly prohibits the usage, copy, storage, distribution, modification, or printing of this manual or its content for any other purpose without its written consent.

Document Printing

For best results, print this document in color, on letter size paper (8.5 x 11 inches), double sided. If using A4 paper (210 x 297 mm), configure your printer to scale the content accordingly.

Disclaimer

Chauvet believes that the information contained in this manual is accurate in all respects. However, Chauvet assumes no responsibility and specifically disclaims any and all liability to any party for any loss, damage or disruption caused by any errors or omissions in this document, whether such errors or omissions result from negligence, accident or any other cause. Chauvet reserves the right to revise the content of this document without any obligation to notify any person or company of such revision, however, Chauvet has no obligation to make, and does not commit to make, any such revisions..

Table of Contents

Trademarks	ii
Copyright Notice.....	ii
Manual Usage.....	ii
Document Printing.....	ii
Disclaimer	ii
1. Before You Begin	1
What Is Included.....	1
Unpacking Instructions	1
Claims	1
Manual Conventions	1
Symbols	1
Safety Notes	2
Expected LED Lifespan.....	2
2. Introduction	3
Product Description	3
Features	3
Additional Products	3
Optional Accessories	3
Available Signal and Power Cables (optional)	3
Product Overview: PVP X3	4
PVP Pixels Per Panel.....	5
Product Dimensions	6
3. Setup.....	7
AC Power	7
AC Plug.....	7
Power Linking.....	7
4. Mounting.....	8
Orientation.....	8
Mounting Points.....	8
RB-X50CM Rig Bar (Sold Separately)	9
Eye Bolt Installation.....	9
RB-X200CM Rig Bar (Sold Separately)	10
Rig Kit/Panel Assembly.....	10
Truss Installation	11
PVP X-Series Mounting Hardware	12
(Sold Separately).....	12
Bracket Dimensions	12
.....	12
Method 1: Mounting to Steel Struts (or other surfaces)	13
Method 2: Mounting to Steel Tubing	14
5. Joining Each PVP X3 (Creating a Modular Design)	15
Vertically Joining the Panels	15
Vertical Panel Connection.....	16
Horizontally Joining Panels	17
Horizontal Panel Connection.....	17
6. Connecting (Cabling) Each PVP X3	18
Testing Signal and Power Connections	18

Table of Contents

Using the PVP X3 Test button.....	18
Connecting Power and Signal Cables.....	19
Connecting the Signal Between Joined Panels.....	19
Connecting the Power Between Joined Panels.....	21
7. LED Module Care and Replacement	22
PVP X3 LED Module	22
LED Lot Numbers.....	22
Using MT-01.....	22
PVP X3 LED Module Removal with MT-01	23
PVP X3 LED Module installation with MT-01	25
8. Typical PVP X3 Installation.....	27
Step 1.....	27
Step 2.....	27
Step 3.....	27
Step 4.....	27
Step 5.....	27
Step 6.....	27
Step 7.....	27
Step 8.....	27
VIP Sample Video Wall System Setup.....	28
9. Operation	29
Additional Hardware and Software.....	29
About CHAUVET LED Studio.....	30
Description	30
10. Technical Information	31
PVP X3 Maintenance	31
Returns	31
11. Technical Specifications.....	32
Contact Us	33
Marcas registradas.....	34
Aviso de derechos de autor	34
Uso del manual	34
Impresión del documento.....	34
Exención de responsabilidad	34
1. Antes de empezar.....	35
Qué va incluido.....	35
Instrucciones de desembalaje.....	35
Reclamaciones.....	35
Convenciones del manual	35
Símbolos	35
Notas de seguridad	36
Vida útil prevista del LED	37
2. Introducción	38
Descripción del producto.....	38
Características	38
Productos adicionales	38
Accesorios opcionales	38
Cables de alimentación y señal disponibles (opcionales).....	38

Vista general del producto: PVP X3	39
Píxeles por panel del PVP	40
Dimensiones del producto	41
3. Instalación	42
Corriente alterna.....	42
Enchufe CA.....	42
Alimentación en cadena.....	42
4. Montaje	43
Orientación	43
Puntos de montaje	43
RB-X50CM Kit de aparejamiento (Vendido por separado)	44
Instalación Armella.....	44
RB-X200CM Kit de aparejamiento (Vendido por separado)	45
Kit de aparejamiento/ Ensamblaje del panel	45
Instalación de truss	46
Material de montaje de la serie PVP X (vendido por separado)	47
Dimensiones del soporte.....	47
Método 1: montaje para puntales de acero (u otras superficies)	48
Método 2: montaje para tubos de acero	49
5. Unir todos los PVP X3 (crear un diseño modular)	50
Unir los paneles verticalmente	50
Conexión del panel vertical.....	51
Unir los paneles horizontalmente.....	52
Conexión del panel horizontal.....	52
6. Conectar (cablear) los PVP X3	53
Probar la señal y las conexiones de alimentación	53
Utilizar el botón de prueba del PVP X3.....	53
Conectar los cables de alimentación y señal	54
Conectar la señal entre paneles unidos.....	54
Conectar la alimentación entre paneles unidos.....	56
7. Cuidados y sustitución del módulo LED	57
Módulo LED del PVP X3	57
Números de lote LED.....	57
Utilizar MT-01	57
Quitar el módulo LED del PVP X3 con MT-01	58
Instalar el módulo LED del PVP X3 con MT-01	60
8. Instalación típica del PVP X3.....	62
Paso 1.....	62
Paso 2.....	62
Paso 3.....	62
Paso 4.....	62
Paso 5.....	62
Paso 6.....	62
Paso 7.....	62
Paso 8.....	62
Configuración de muestra de sistema de mural de vídeo VIP.....	63
9. Funcionamiento.....	64
Hardware y software adicional	64
Acerca de CHAUVET LED Studio.....	65

Descripción	65
10. Información técnica	66
Mantenimiento del PVP X3	66
Devoluciones	66
11. Especificaciones técnicas	67
Contacto	68
Marques	69
Avis de copyright.....	69
Manuel d'utilisation.....	69
Impression du document.....	69
Clause de non Responsabilité	69
Révision du document.....	69
1. Avant de commencer	70
Contenu	70
Instructions de déballage	70
Réclamations	70
Conventions manuelles.....	70
Symboles	70
Consignes de Sécurité	71
Durée de vie des LEDs	72
2. Introduction	73
Description de l'appareil	73
Caractéristiques	73
Appareils supplémentaires.....	73
Accessoires optionnels	73
Câbles de signal et d'alimentation disponibles (en option)	73
Vue d'ensemble du produit : PVP X3	74
Pixels par panneau PVP	75
Dimensions de l'appareil	76
3. Configuration.....	77
Alimentation CA.....	77
Prise CA.....	77
Chainage électrique	77
4. Montage	78
Orientation	78
Points de fixation	78
RB-X50CM Kit de montage (vendu séparément).....	79
Installation d'un boulon à œil.....	79
RB-X200CM Kit de montage (vendu séparément).....	80
Assemblage du kit de montage et du panneau	80
Installation sur treillis	81
Matériel de fixation PVP X-Series	82
Dimension du support	82
Méthode 1 : Montage sur traverse en acier (ou autre surface) :	83
Méthode 2 : Montage sur des tubes en acier	84
5. Assembler plusieurs PVP X3 ensemble (création d'une conception modulaire).....	85
Assemblage vertical des panneaux	85
Connexion verticale des panneaux	86

Assemblage horizontal des panneaux	87
Connexion horizontale des panneaux	87
6. Connexion (câblage) des PVP X3	88
Test des connexions de signal et d'alimentation	88
Utilisation du bouton Test du PVPX3	88
Connexion des câbles d'alimentation et de signal	89
Connexion du signal entre des panneaux assemblés	89
Connexion de l'alimentation entre des panneaux assemblés	91
7. Entretien et remplacement des modules LED	92
Module LED PVP X3	92
Numéros de lot LED	92
Utilisation du MT-01	92
Dépose d'un module LED du PVP X3 avec le MT-01	93
Installation d'un module LED du PVP X3 avec le MT-01	95
8. Installation PVP X3 type	97
Étape 1	97
Étape 2	97
Étape 3	97
Étape 4	97
Étape 5	97
Étape 6	97
Étape 7	97
Étape 8	97
Exemple de configuration de système de mur vidéo VIP	98
9. Utilisation	99
Matériel et logiciel additionnels	99
A propos de CHAUVET LED Studio	100
Description	100
10. Informations Techniques	101
Entretien du PVP X3	101
Renvois	102
11. Spécifications techniques	103
Nous contacter	104
Handelsmerken	105
Auteursrechtvermelding	105
Gebruik van de handleiding	105
Afdrukken van het document	105
Disclaimer	105
1. Voordat u begint	106
Wat is er inbegrepen	106
Uitpakinstructies	106
Claims	106
Conventies van deze handleiding	106
Symbolen	106
Veiligheidsinstructies	107
Verwachte levensduur van de LED-lamp	108
2. Inleiding	109

Productbeschrijving	109
Eigenschappen.....	109
Extra producten.....	109
Optionele accessoires.....	109
Beschikbare signaal- en voedingskabels (optioneel).....	109
Productoverzicht: PVP X3.....	110
PVP-pixels per paneel.....	111
Afmetingen van het product	112
3. Instelling	113
AC-stroom	113
AC-stekker	113
Power Linking.....	113
4. Montage	114
Oriëntatie	114
Bevestigingspunten	114
RB-X50CM Opbouwset (apart verkocht).....	115
Eye Bolt Installatie.....	115
RB-X200CM Opbouwset (apart verkocht).....	116
Opbouwset/ paneelmodule	116
Spantinstallatie	117
Bevestigingsapparatuur PVP X-serie.....	118
Beugelafmetingen	118
Methode 1: Montage aan stalen steunen (of andere oppervlakken).....	119
Methode 2: Montage aan stalen buis.....	120
5. Samenvoegen van elke PVP X3 (Creëren van een modulair ontwerp)	121
Verticaal samenvoegen van de panelen	121
Verticale paneelverbinding.....	122
Horizontaal samenvoegen van de panelen.....	123
Horizontale paneelverbinding.....	123
6. Verbinden (bekabelen) van elke PVP X3.....	124
Testen van signaal- en stroomaansluitingen.....	124
Gebruik van de testknop van de PVP X3.....	124
Aansluiten van stroom- en signaalkabels.....	125
Het signaal aansluiten tussen de samengevoegde panelen	125
Het vermogen aansluiten tussen de samengevoegde panelen.....	127
7. Verzorging en vervanging van de LED-module.....	128
PVP X3 LED-module	128
Lot-nummers van de LED	128
Gebruik van de MT-01	128
PVP X3 LED-moduleverwijdering met MT-01	129
PVP X3 LED-moduleplaatsing met MT-01	131
8. Gebruikelijke PVP X3-installatie.....	133
Stap 1.....	133
Stap 2.....	133
Stap 3.....	133
Stap 4.....	133
Stap 5.....	133
Stap 6.....	133
Stap 7.....	133

Stap 8.....	133
Proefopstelling VIP videowandsysteem	134
9. Werking.....	135
Extra apparatuur en software	135
Over CHAUVET LED Studio	136
Beschrijving.....	136
10. Technische informatie	137
Onderhoud van de PVP X3	137
Retouren.....	138
11. Technische Specificaties.....	139
Contact opnemen met ons	140

1. Before You Begin

What Is Included

- PVP X3
 - Single or 8-pack with road case
- Neutrik powerCON power cord
- Neutrik powerCON power linking cords
 - Included with 8-pack only
- Neutrik etherCON signal linking cords
 - 1 or 8 cords based on the number of PVP X3 included
- Road case
 - Included with 8-pack only
- Warranty Card
- User Manual

Unpacking Instructions

Immediately upon receiving this product, carefully unpack and check the container. Make sure you have received all the parts indicated above in good condition.

Claims




Upon receipt, if the container or the contents (the product and included accessories) appear damaged from shipping, or show signs of mishandling, notify the carrier immediately, not Chauvet. Failure to do so in a timely manner may invalidate your claim with the carrier. In addition, keep the container and all the packing material for inspection.

For other issues such as missing components or parts, damage not related to shipping, or concealed damage, file a claim with Chauvet within 7 days of receiving the merchandise.

Manual Conventions

Convention	Meaning
1–512	A range of values in the text
50/60	A set of mutually exclusive values in the text
<SET>	A button on the product’s control panel
Settings	A product function or a menu option
MENU>Settings	A sequence of menu options
1–10	A range of menu values from which to choose in a menu
Yes/No	A set of two mutually exclusive menu options in a menu
ON	A unique value to be entered or selected in a menu

Symbols

Symbols	Meaning
	Critical installation, configuration, or operation information. Failure to comply with this information may cause the product not to work, damage third-party equipment, or cause harm to the operator.
	Important installation or configuration information. Failure to comply with this information may keep the product from working.
	Useful information.

Safety Notes

Please read the following Safety Notes carefully before starting to work with the product. These notes provide important safety information about the installation, usage, and maintenance.



- **This product contains no user-serviceable parts. Any reference to servicing in this User Manual will only apply to properly trained Chauvet certified technicians. Do not open the housing or attempt any repairs.**
- **If product is being used in a mobile or touring application, the VIP Media System must be mounted in a shock resistant (or shock mount) road case. This will help prevent damage to the hard drives.**



Please refer to all applicable local codes and regulations for the proper installation of the product.

- Always connect the product to a grounded circuit to avoid the risk of electrocution.
- The product is rated IP43 and should only be used in environments meeting that criteria.
- When hanging the product, always secure to a fastening device using a safety cable.
- The maximum ambient temperature is 122 °F (50 °C). Do not operate the product at higher temperatures.
- **CAUTION:** When transferring product from extreme temperature environments, (e.g. cold truck to warm humid ballroom) condensation may form on the internal electronics of the product. To avoid causing a failure, allow product to fully acclimate to the surrounding environment before connecting it to power.
- Do not operate the product if you see damage on the housing, LED modules, or cables. In any of these cases, have the damaged parts replaced by an authorized technician.
- Do not open or modify the product.
- To eliminate unnecessary wear and improve its lifespan, during periods of non-use completely disconnect the product from power via breaker or by unplugging it.
- Make sure the product is connected to the proper voltage provided in this manual's specifications and/or the specification sticker on the product.
- Never try to repair the product. Repairs carried out by unskilled people can lead to damage or malfunction. Please contact Chauvet Technical Support.
- **Any damages caused by manual modifications are not subject to warranty. Chauvet will not accept liability for any resulting damages caused by unauthorized modifications or not observing the safety warnings and instructions in the manual.**
- **DO NOT mount this product outdoors! These panels do not allow wind to flow through them and will act like a sail.**



In the unlikely event that your Chauvet product requires service, contact Chauvet Technical Support.



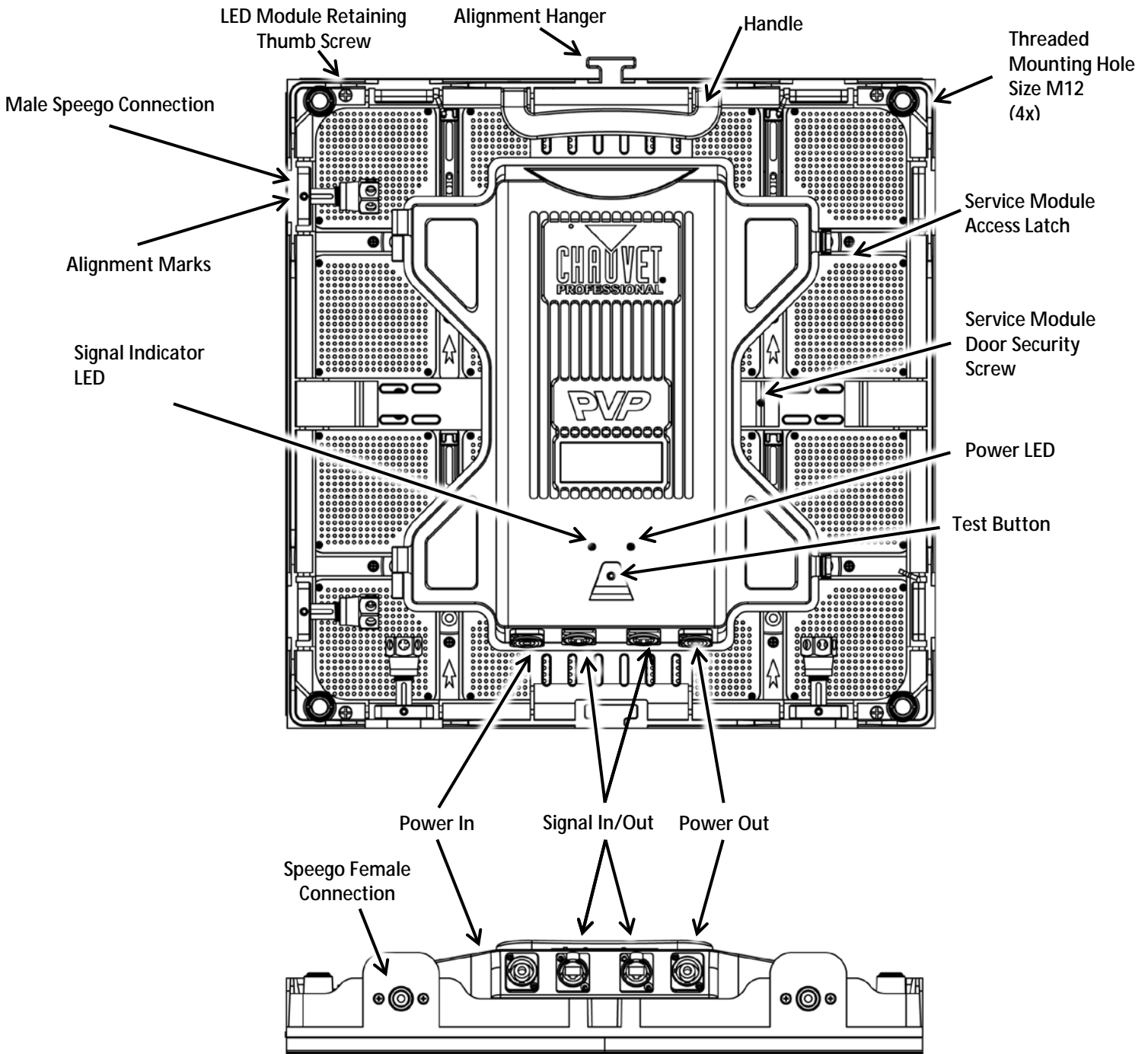
Expected LED Lifespan

LEDs gradually decline in brightness over time, mostly because of heat. Packaged in clusters, LEDs exhibit higher operating temperatures than in ideal, single LED conditions. For this reason, using clustered LEDs at their fullest intensity significantly reduces the LEDs' lifespan. The electrical, thermal management design of the PVP X3 panel is designed to provide the longest LED lifespan possible. Under normal operating conditions, this lifespan can be 50,000 hours or longer. If extending this lifespan is vital, lower the operational temperature by improving ventilation around the fixture and reducing the ambient temperature to an optimal operating range. In addition, limiting the overall projection intensity may also help to extend the LEDs' lifespan.

2. Introduction

Product Description	<p>The PVP X3 is part of the PVP X series VIP line of video wall products. In addition to the PVP X3, this line includes the PVP X6IP.</p> <p>Each model is a video panel consisting of multiple tri-color LEDs. When multiple panels are assembled and connected (signal and power), the entire configuration becomes a modular video wall design.</p> <p>The aluminum die cast construction makes the PVP X3 reliable and solid, as well as easy to install and dismantle. Multiple panels can be assembled horizontally or vertically, and each model is interchangeable with the others. This flexibility provides numerous modular design possibilities.</p> <p>The PVP video wall system is addressed using a PC and CHAUVET LED Studio software. Refer to the CHAUVET LED Studio User Manual for detailed information and instructions on using CHAUVET LED Studio.</p>
Features	<ul style="list-style-type: none"> · 3.9 mm pixel pitch modular video panel with SMD 2121 LEDs · Stainless steel hardware is integrated into each panel for secure interlocking between panels · Solid aluminum die-cast construction makes these panels durable for the touring/rental market · Magnetic LED modules make replacing them fast and painless in the field or on the repair bench · Tri-color, full black body LEDs provide the highest in class contrast and black levels · Computer guided CNC cutting provides ultimate precision for seamless modular connections · Works with VIP Driver and VIP Signal Distributor · Use with the X-series Rig Bar (RB-X50CM) and (RB-X200CM) to hang the panels, or with the M12 threaded inserts on the back of each panel
<i>Additional Products</i>	<ul style="list-style-type: none"> · VIP Driver (required)
<i>Optional Accessories</i>	<ul style="list-style-type: none"> · VIP Signal Distributor · PVP X-series Rig Bar (RB-X50CM) and (RB-X200CM) · VIP Media Server Pro · VIP 5162b Signal Processor
<i>Available Signal and Power Cables (optional)</i>	<ul style="list-style-type: none"> · Signal cables (Neutrik etherCON Signal Extensions) <ul style="list-style-type: none"> ○ ETHERCONEXT5FT ○ ETHERCONEXT10FT ○ ETHERCONEXT25FT ○ ETHERCONEXT50FT · Power cables (Neutrik powerCON Power Extensions) <ul style="list-style-type: none"> ○ POWERCONEXT5FT ○ POWERCONEXT10FT ○ POWERCONEXT25FT ○ POWERCONEXT50FT

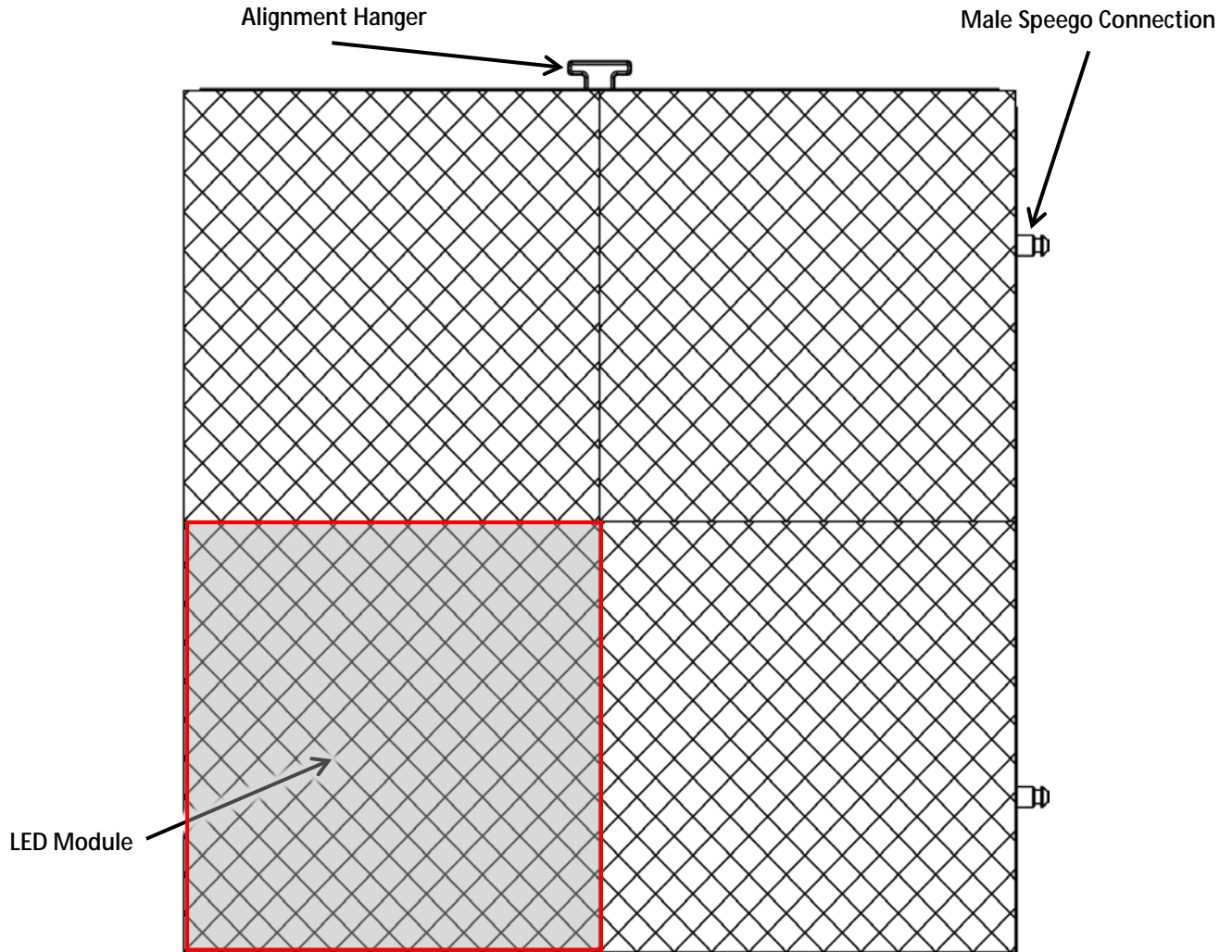
Product Overview: PVP X3



The difference between each PVP model is the pixel pitch (space) between the LEDs and the number of pixels (LEDs) in each row and column. The basic housing and components are identical.



Warning: Service Access Latch is for use by Chauvet authorized technicians only! Opening this may void the Chauvet warranty.



PVP Pixels Per Panel

Although each PVP has the same outer dimensions, the LED pixels per panel vary. Each pixel is 1 tri-color LED. The following table provides the pixels per panel in each PVP. The model number (e.g., X3) indicates the pixel pitch in millimeters between each light strip in that PVP model. For detailed specifications, refer to the [Technical Specifications](#) table at the end of this User Manual.

	PVP X3
Pixels per Panel	128 x 128
Total Pixels per Panel	16,384
Pixels per LED Module	64 x 64
Total Pixels LED Module	4,096
LED Module Dimensions	250 x 250 mm



To calculate the number of panels, horizontally and vertically, supported by a single VIP Driver, you will use :

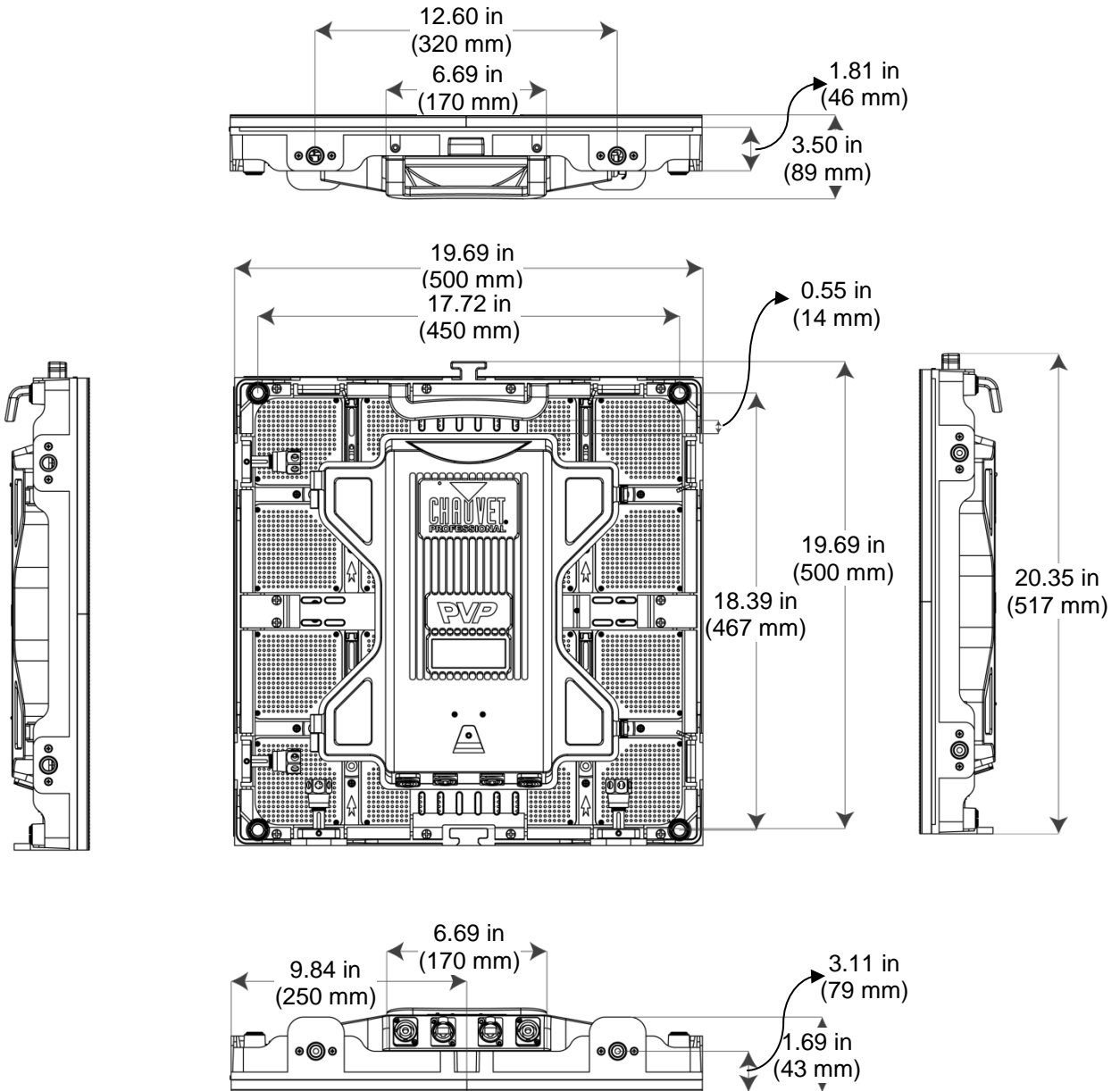
- The number of pixels per panel.
- The screen resolution you would like to use for your video wall display.

The VIP Driver is required to operate a Chauvet VIP video wall system. Diagrams of how the PVP X3 panels and the VIP Driver connect follow later in this manual. For detailed information about the VIP Driver and panel calculation examples, refer to the VIP Driver Quick Reference Guide.

Product Dimensions



Each PVP model in the series has the same outside housing dimensions.



3. Setup

AC Power

Each PVP X3 has an auto-ranging power supply that works with an input voltage range of 100–240 VAC, 50/60 Hz. To determine the power requirements for each PVP X3, refer to the label affixed to the product. You can also refer to the [Technical Specifications](#) chart in this manual.

The listed current rating indicates the maximum current draw during normal operation. For more information, download Sizing Circuit Breakers from the Chauvet website: www.chauvetprofessional.com.



- **Always connect this product to a protected circuit with an appropriate electrical ground to avoid the risk of electrocution or fire.**
- **To eliminate unnecessary wear and improve its lifespan, during periods of non-use completely disconnect the product from power via breaker or by unplugging it.**



Never connect this product to a rheostat (variable resistor) or dimmer circuit, even if the rheostat or dimmer channel serves only as a 0 to 100% switch.

AC Plug

Each PVP X3 comes with a power linking cord to connect power between panels; and a power input cord.

This cable has a powerCON connector to connect to the PVP X3 and an Edison plug for power input. Use the table below as a reference to wire a new plug.

Connection	Wire (U.S.)	Wire (Europe)	Screw Color
AC Live	Black	Brown	Yellow or Brass
AC Neutral	White	Blue	Silver
AC Ground	Green/Yellow	Green/Yellow	Green

Power Linking

All panels in the PVP Series support power linking. Refer to the following table for specifications on each panel.

	PVP X3
@ 120 V, 60 Hz	20
@ 208 V, 60 Hz	35
@ 230 V, 50 Hz	37



Please refer to all applicable local codes and regulations for the proper installation of this product.

4. Mounting

Orientation

Each PVP X3 is constructed of aluminum die-cast. This ensures each panel is stable and easy to install. Each panel also has a convenient built-in handle located on the top, backside of the panel along with an alignment nipple on the top. This combination enables you to easily pick up and securely hold each panel while mounting and working with the panels.

The PVP X3 can be assembled to provide any number of modular designs. The panels on the top can be securely hung from a truss or other stable surface. Always hang in a safe position with adequate space for ventilation, configuration, and maintenance.

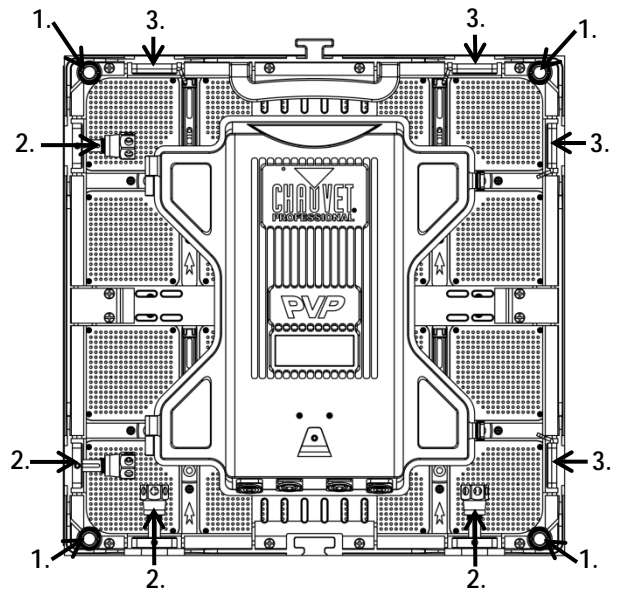
Chauvet recommends following the general guidelines below.

- When selecting an installation location, consider ease of access for operation and routine maintenance.
- Make sure to hang away from any flammable material, as indicated in the [Safety Notes](#) section.
- Never mount in places where rain, extreme temperature changes, or restricted ventilation may affect it.
- Make sure that the structure to which you are hanging the panels can support the weight.

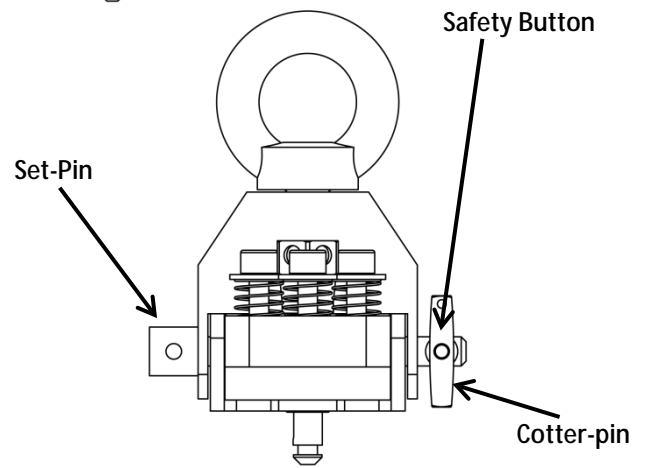
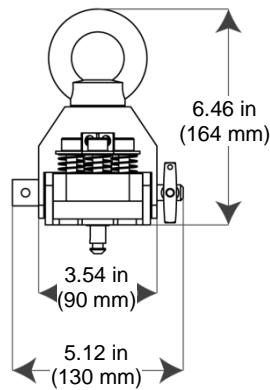
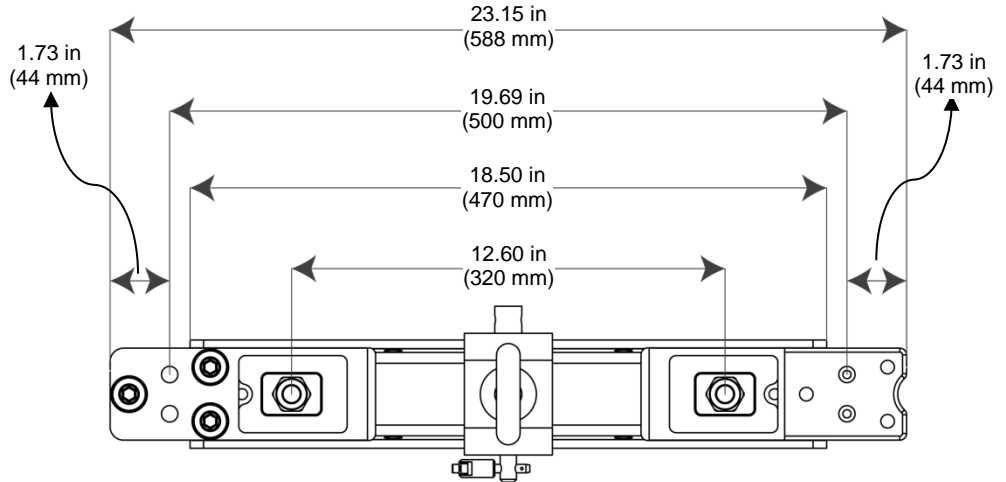
See the [Technical Specifications](#) for the weight requirement of each PVP X3.

Mounting Points

1. Threaded Mounting Holes Size M12 (4x)
2. Male Speego Connection
3. Female Speego Connection



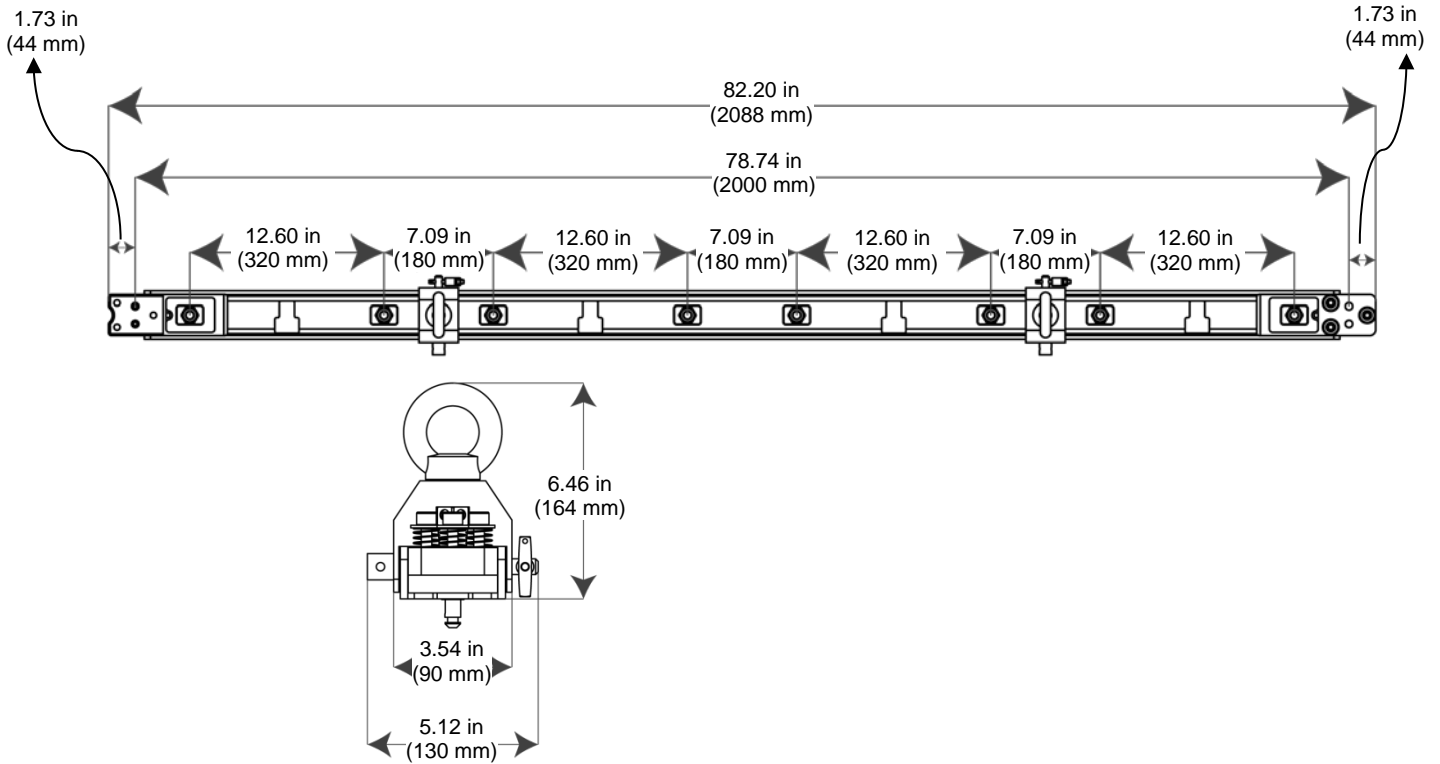
**RB-X50CM Rig Bar
(Sold Separately)**



Eye Bolt Installation

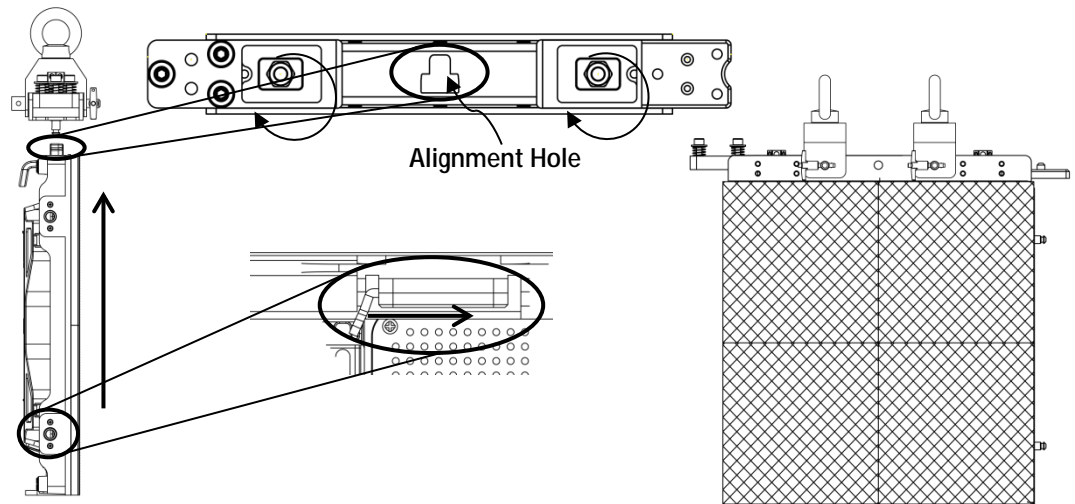
1. Remove cotter-pin from set-pin by first pressing the safety button in the middle of the handle.
2. Remove set-pin from eye bolt.
3. Align the eye bolt over one of the pre-cut holes on the rig bar.
4. Re-insert the set-pin to secure the eye bolt to the rig bar
5. Re-insert the cotter-pin into the set-pin.

RB-X200CM Rig Bar (Sold Separately)



Be advised that the RB-X2000CM includes 2 eye bolt kits preinstalled.

Rig Kit/Panel Assembly



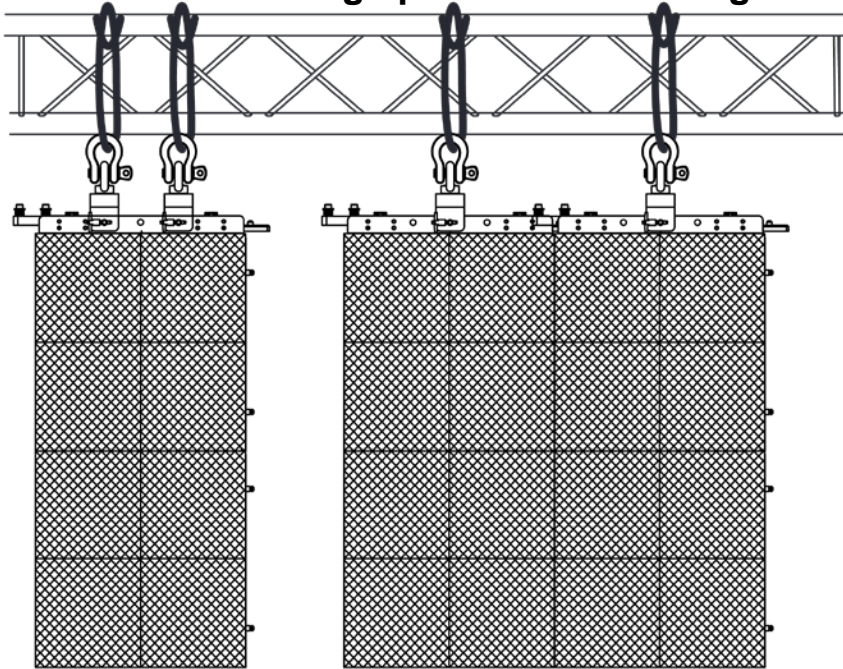
1. Insert alignment hanger into the alignment hole and push panel forward.
2. Push both male Speego into female Speego connections and turn clockwise to tighten panel to the rig bar.
3. Reverse the steps above to remove panel from rig bar. Push tab on female Speego connection to release male Speego



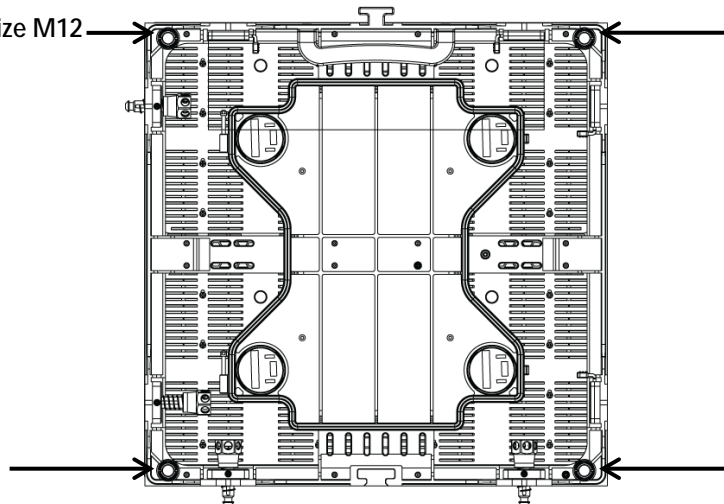
The alignment hanger on the PVP X3 is designed to temporarily hold the weight of the panel to allow the user to properly align and tighten the panel into place.

Truss Installation Refer to the following diagram for truss installation. Chauvet offers the X-Series Rig Bar (sold separately) specifically designed for hanging the panels.

Attach to Truss using optional X-Series Rig Bar



Threaded Mounting Holes Size M12
(4x)



The 4-M12 mounting positions are intended for flush mount installation to a flat surface behind the video panels. All 4 mounting positions for the panel must be used in order to maintain structure integrity. The M12 mountings are not intended for hanging or suspending from a truss or other overhead structure.

In order to suspend/hang the panels from a truss or other overhead structure, use the X-series Rig Bars (RBX-50CM or -200CM sold separately).



The illustrations above are examples only. Please refer to all applicable local codes and regulations for the proper installation of the product.

PVP X-Series Mounting Hardware (Sold Separately)

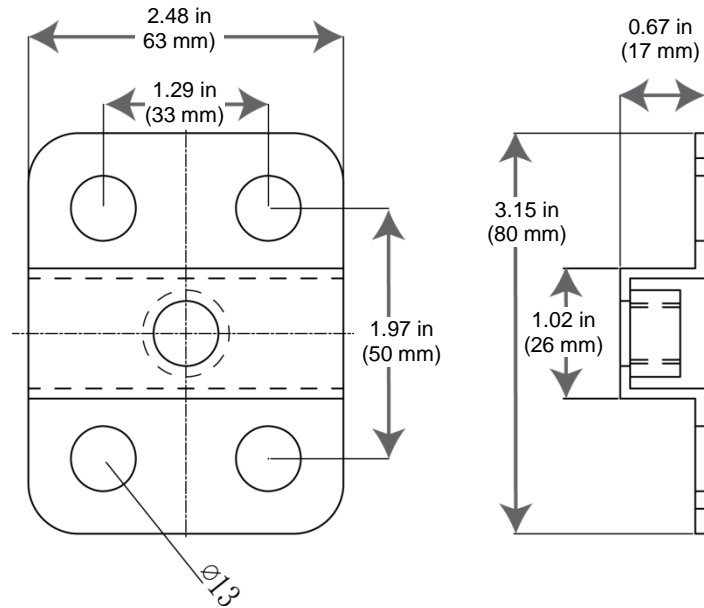
Chauvet offers the X-Series mounting hardware kit (sold separately) specifically designed to hang groups of panels. Kits are sold in packs of 10.

Note: These brackets are meant to be used with either steel struts or a 1" (25 mm) steel square tube (neither are available from Chauvet).

Each kit Includes:

- 1 bracket
- 4 M12x55 screws
- 4 M12x20 screws
- 4 steel flat washers
- 4 steel lock washers

Bracket Dimensions

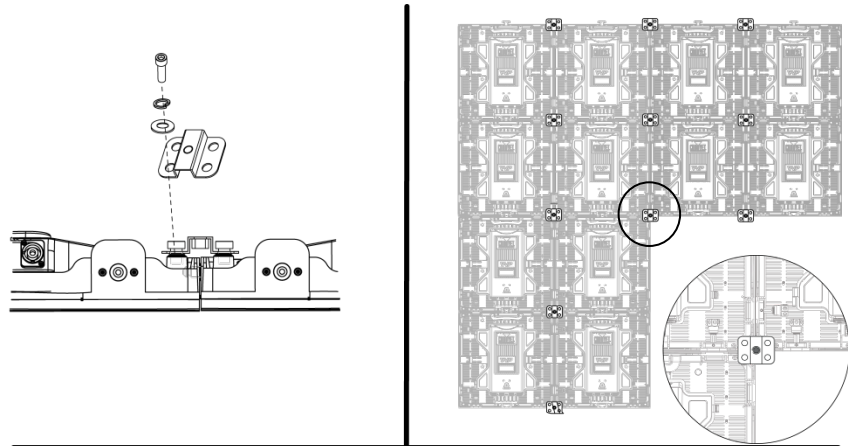
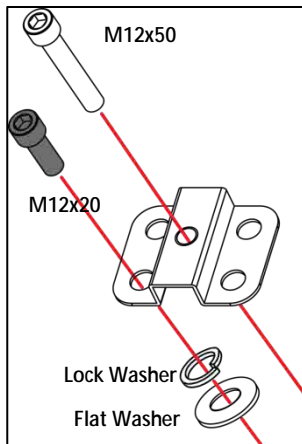


The 4-M12 mounting positions are intended for flush mount installation to a flat surface behind the video panels. All 4 mounting positions for the panel must be used in order to maintain structure integrity. The M12 mountings are not intended for hanging or suspending from a truss or other overhead structure.

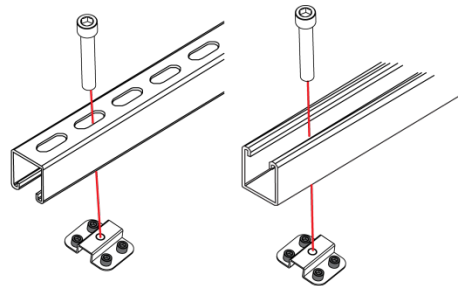
Method 1: Mounting to Steel Struts (or other surfaces)

Steel struts or equivalent mounting surface must be purchased separately. See Bracket Dimensions for absolute sizing.

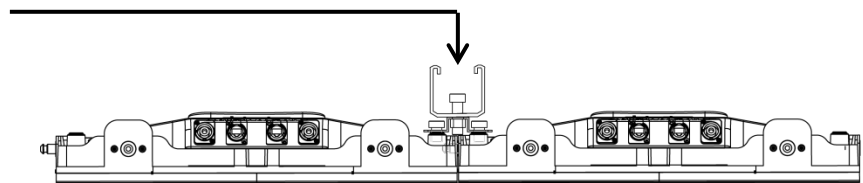
1. Use M12x20 screws, with both a lock washer and flat washer, to attach brackets flush onto securely connected panels. See images



2. Placement of brackets onto 1" (25mm) steel square tube



3. Lastly, insert the M12x50 screws into the center threaded hole to tighten and secure panels in place on struts.



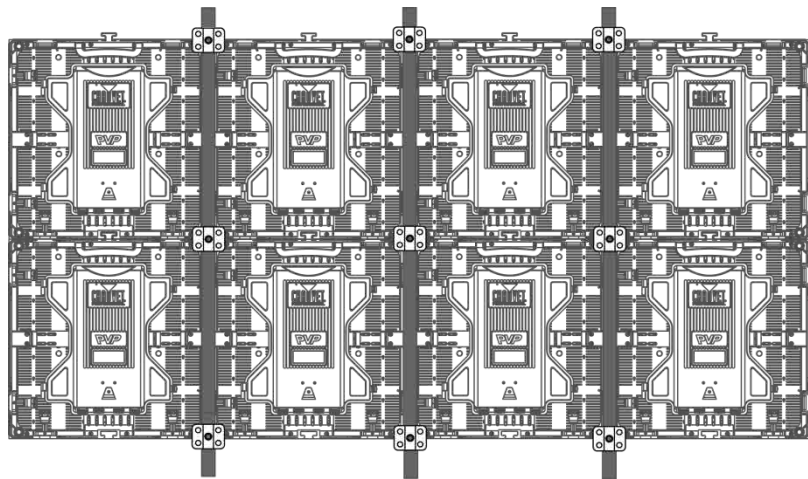
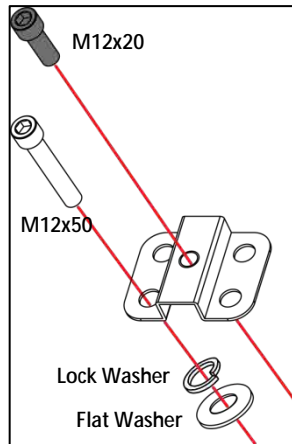
Ensure any mounting surface you plan to use is capable of supporting the weight of all panels being mounted. Use all pertinent mounting points.



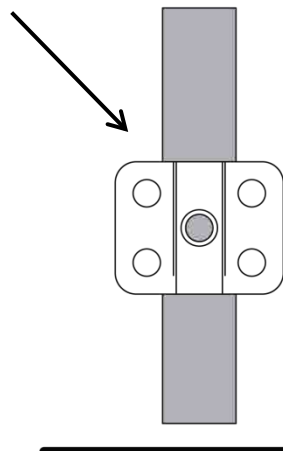
The illustrations above are examples only. Please refer to all applicable local codes and regulations for the proper installation of the product.

Method 2: Mounting to Steel Tubing

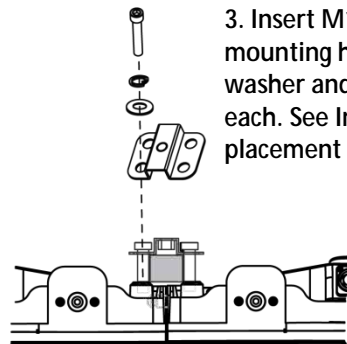
1" (25 mm) heavy-duty square steel tube or equivalent must be purchased separately. See Bracket Dimensions for absolute sizing.



1. Placement of brackets onto 1" (25mm) steel square tube

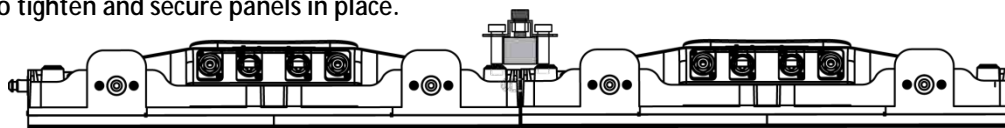


2. Align brackets and steel tube to securely connected panels.



3. Insert M12x50 screws into mounting holes x4, using a steel flat washer and steel lock washer for each. See Image above for bracket placement

4. Lastly, after checking that all brackets are in the proper placement, insert the M12x20 screws into the center threaded hole to tighten and secure panels in place.



Ensure any mounting surface you plan to use is capable of supporting the weight of all panels being mounted. Use all pertinent mounting points.

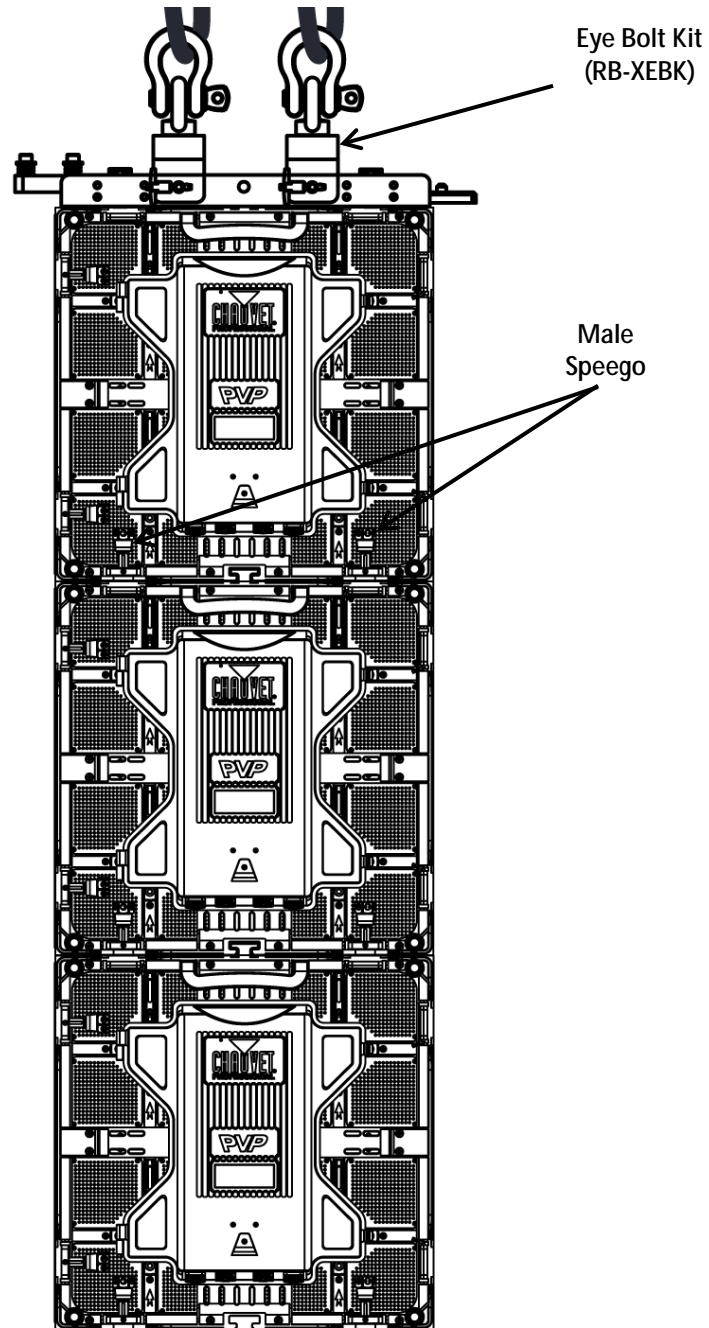


The illustrations above are examples only. Please refer to all applicable local codes and regulations for the proper installation of the product.

5. Joining Each PVP X3 (Creating a Modular Design)

Vertically Joining the Panels

Each PVP X3 can be easily joined vertically to a truss using an optional rig bar with an extra eye bolt connector (sold separately) and the 2 female speego connections located at the top corners of each panel. Use the male speego connections at the bottom of each panel to connect additional panels. These connectors stay recessed when not being used.



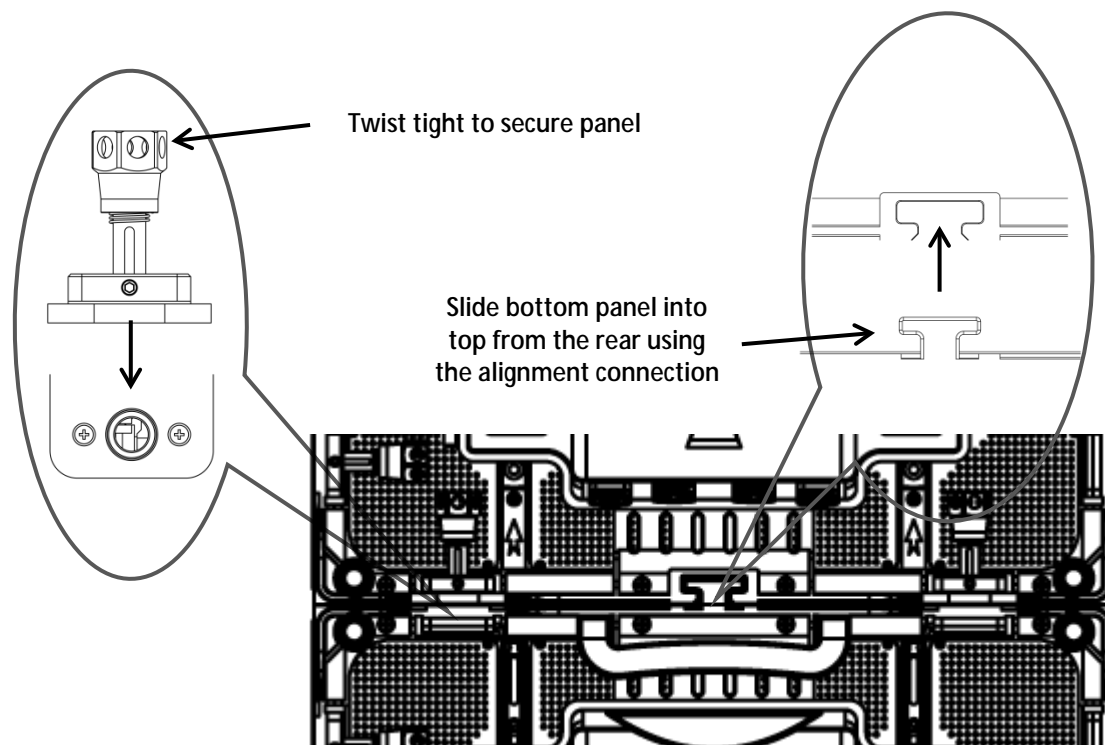
Panels must be installed with the extra Eye Bolt Kit as shown above on a single column installation when using PVP X-Series Rig Bar.

Joining Each PVP (Creating a Modular Design)

Vertical Panel Connection

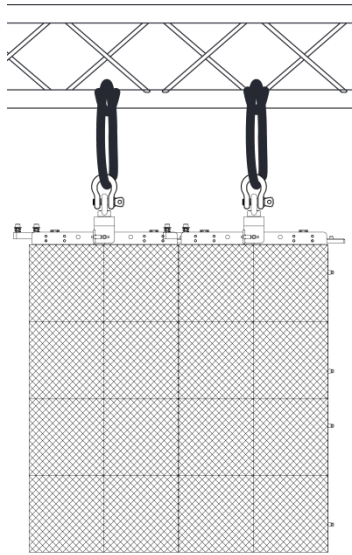
Use the following instructions to join panels vertically:

1. Line up the alignment connection at the top and bottom of each panel.
2. Push male speego connections into female speego connections.
3. Turn the knobs until tight to hold in place.



Horizontally Joining Panels

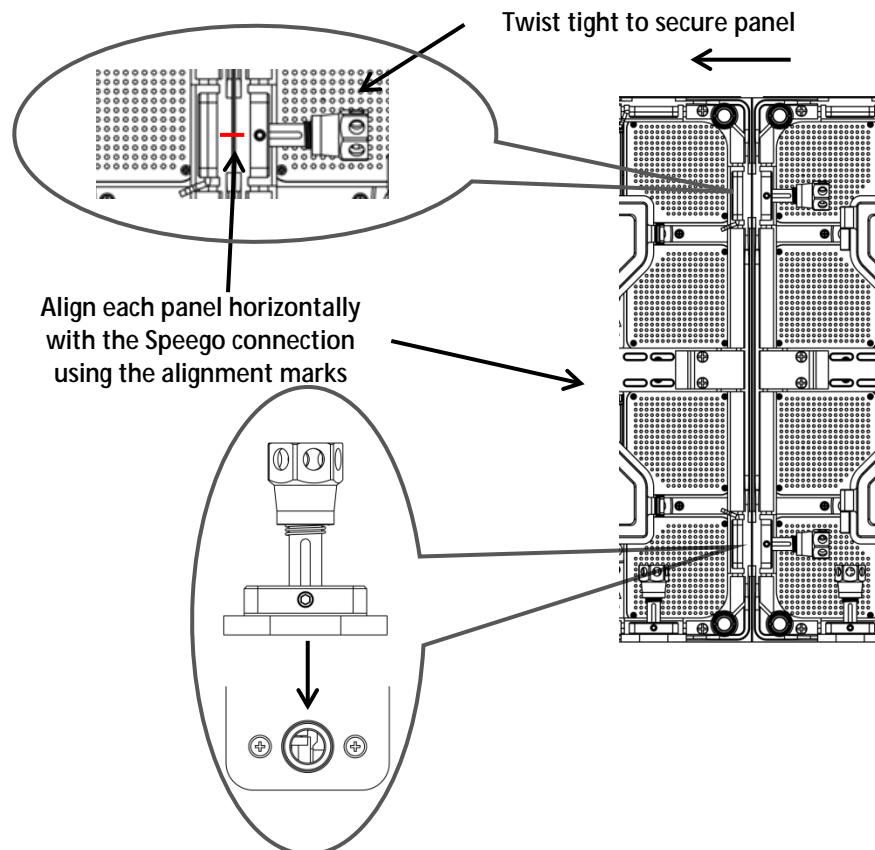
Each PVP X3 can be easily joined horizontally using the 2 locking knobs on the inside, upper and lower left-hand side of each panel.



Horizontal Panel Connection

Use the following instructions to join panels horizontally:

1. Align each of the panels' male speego connections with the corresponding female connections on the panels being added.
2. Push male speego connections into female speego connections on each side of the panels.
3. Turn the knobs until tight to hold in place.



6. Connecting (Cabling) Each PVP X3

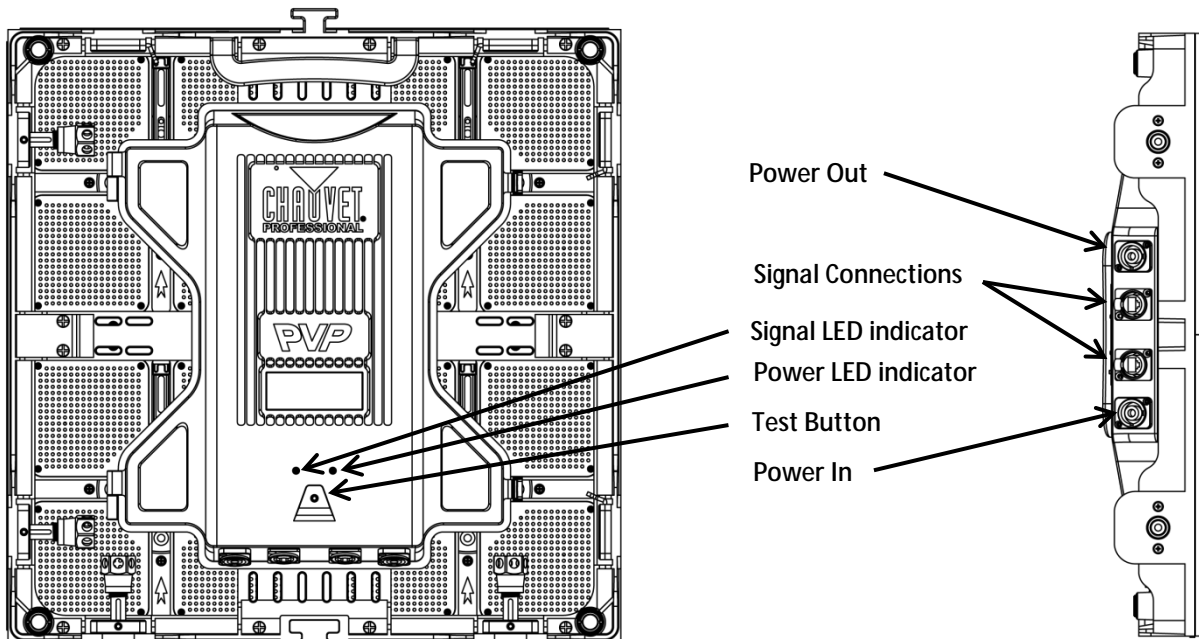
Testing Signal and Power Connections

Each PVP X3 has 2 power sockets and 2 signal ports.

- The Power and Signal connections are located on the underside of the service module of each panel.
- The Signal ports may be used interchangeably.
- Each PVP X3 has LED indicator lights.
- Each panel indicates a successful power connection when the Power indicator light remains red.
- Each panel indicates video signal reception when the Signal LED indicator light blinks green. This light should be blinking to indicate good reception.

Rear Panel View

Underside of Service Access View



Using the PVP X3 Test button

Each PVP X3 also has a Test button, used to ensure all LEDs are functional. Use the Test button on each panel to perform a self-test. If self-testing, you must perform the test individually for each PVP X3. You do not need to connect to a signal or use software.



When using the Test button, make sure the PVP X3 is not connected to the VIP Driver.

To use the Test button, you must connect the power, but **do not** connect the signal cables. Press the Test button to toggle through various LED light display configurations.

Connecting Power and Signal Cables

Connecting the Signal Between Joined Panels

The following sections provide information and diagrams on connecting signal and power between panels.

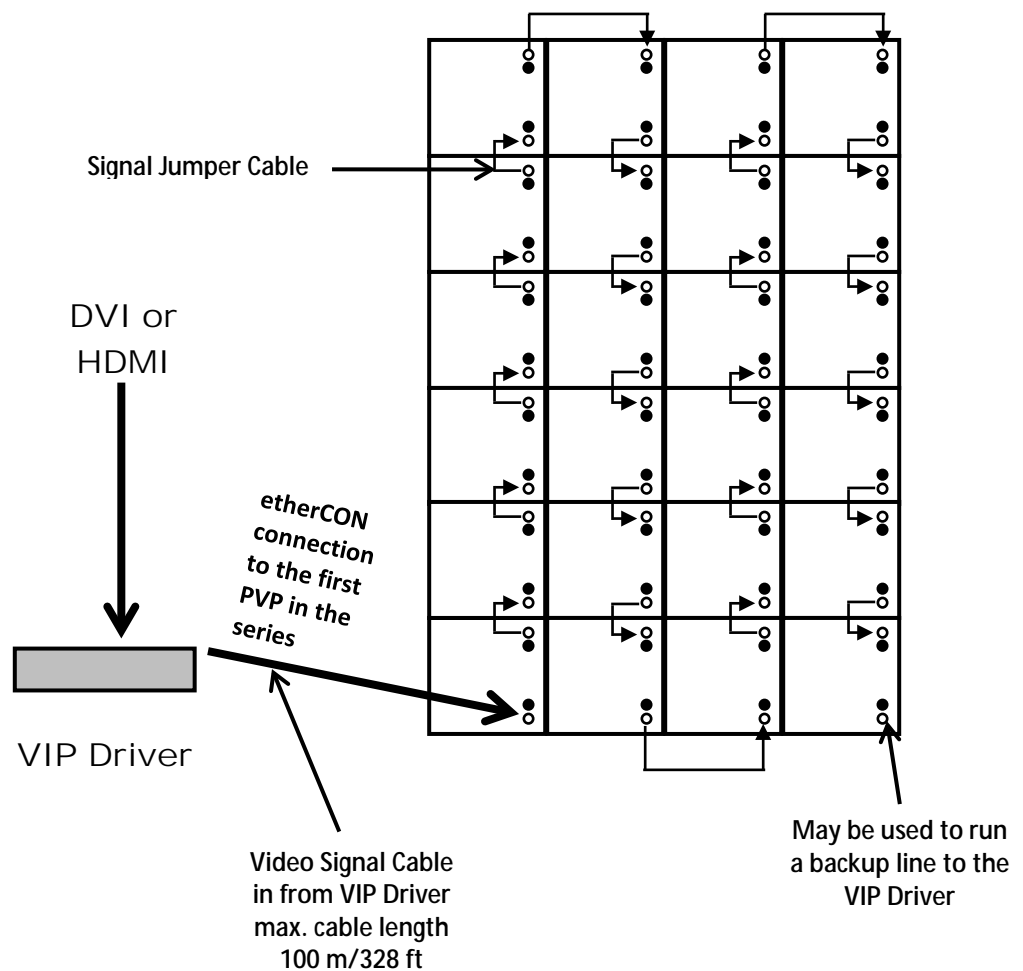
Refer to the [Introduction](#) or [Operation](#) sections in this User Manual for available cables and item numbers.

Signal cable panel connections can use several different configurations. The basic configuration to connect the signal from one panel to the next is as follows.

1. The source signal is connected to the first panel.
2. A signal cable is then connected from the first panel.
3. The connections continue to daisy-chain until all panels are connected.
4. The route of the cables used to make the signal connections can vary.

The following diagrams are recommended suggestions for signal connections between panels.

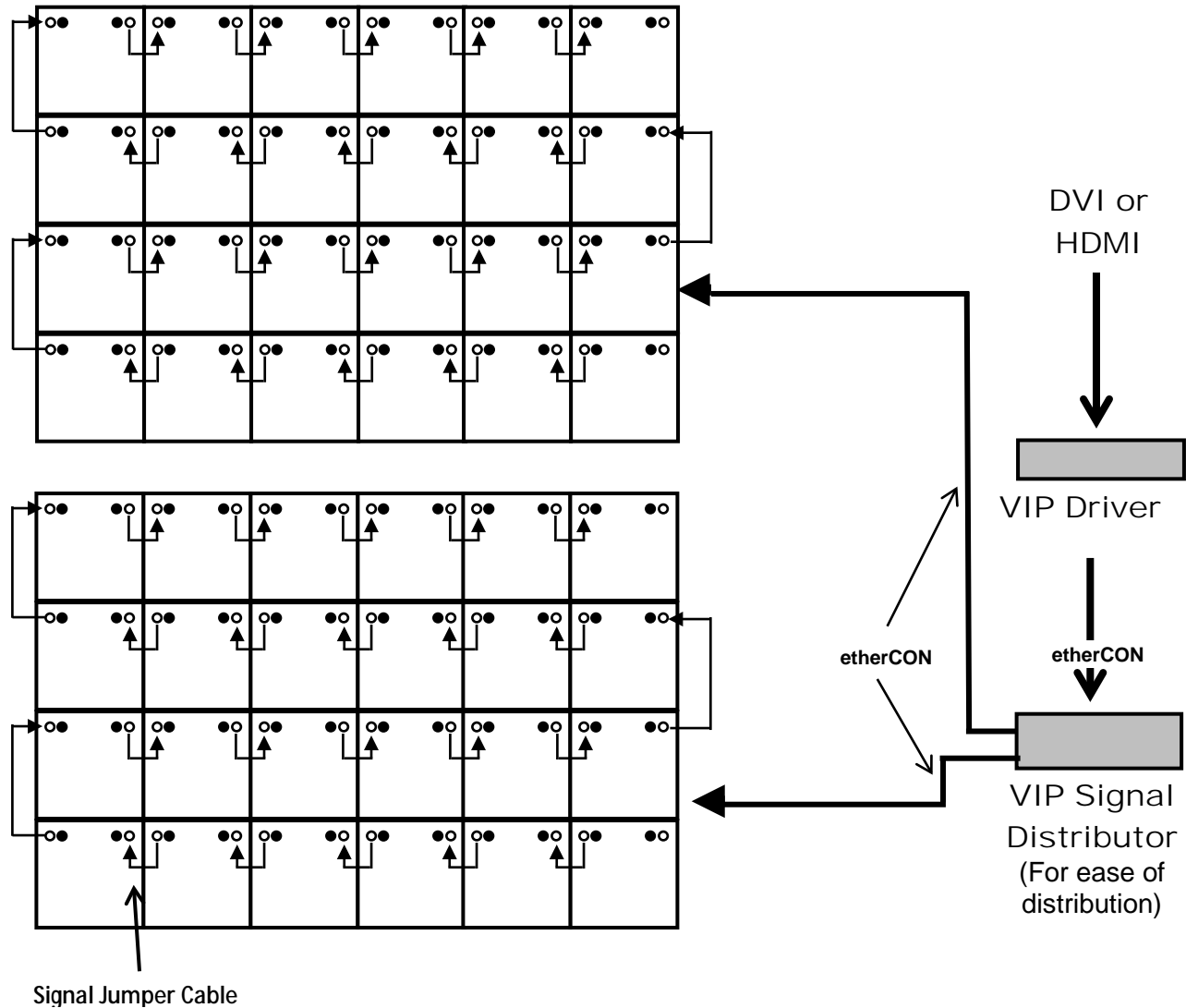
This diagram shows an example of a simple signal connection.



Connecting (Cabling) Each PVP

The following diagram shows an example of a larger signal connection configuration. This example video wall design uses:

- Incoming signal connection to the VIP Driver.
- VIP Driver connection to the VIP Signal Distributor.
- Signal cable connections as determined by the number of panels in the video wall design and the desired layout, for ease of setup.



In this configuration, the backup from the driver may be connected to the last panel in any group of panels, or to any free connection to the VIP Signal Distributor, including input "B."

*Connecting
the Power Between
Joined Panels*

Power cable panel connections can also use different configurations. The basic configuration to connect the main power supply from one panel to the next is:

1. The main power is connected to the first panel's Power Input or Output.
2. A power cable is then connected to the first panel's Power Output and connected to the next panel's Power Input.
3. The connections continue until all panels are connected.

Connect power between the panels using the same procedure as the signal only using the Power Input and Power Output connectors. You must adhere to the power-linking specifications for each PVP X3 model.

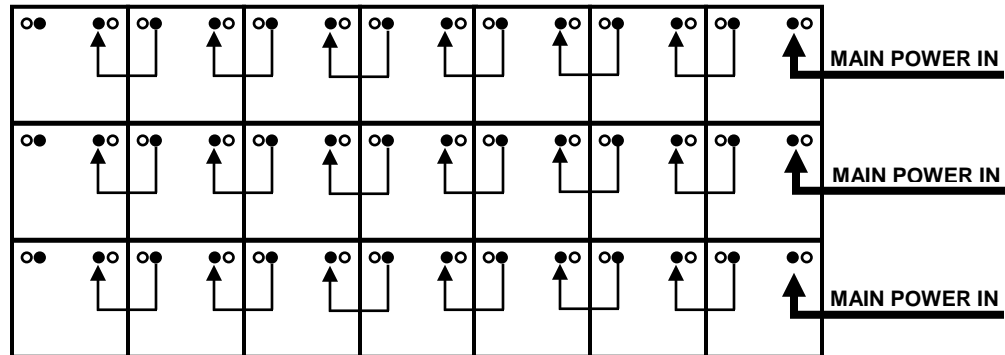
Refer to the [Power Linking](#) section for details on the number of panels that can be linked based on voltage from a single power connection.



Power linking more panels than recommended will void your warranty and increase the risk of electrocution or fire!

Refer to the following diagram for an example of power connection from the main and to each connected panel.

This example is using an PVP X3 power linking 7 panels horizontally @ 120 V.



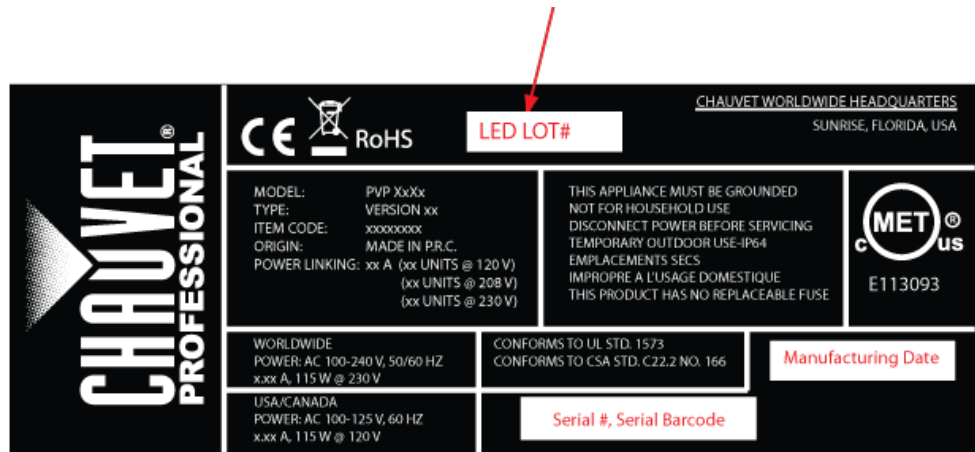
7. LED Module Care and Replacement

PVP X3 LED Module

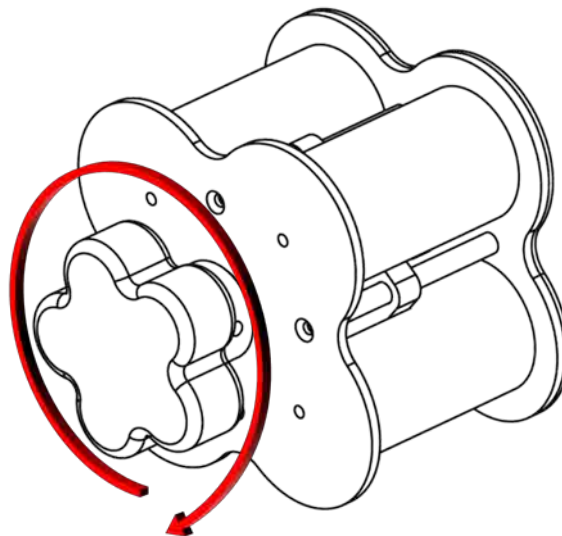
Each PVP X3 has 4 LED modules connected to the panel frame by thumb screws and magnets. Each module has 2 cables, data and power, which connect to the main processing unit.

LED Lot Numbers

To ensure consistent color matching and output, replace damaged or defective modules with the same LED LOT # as the others on the panel. When combining panels to create full video wall systems (rentals, permanent installations, etc.) it is highly recommended that the LED LOT #'s on each of the panels match. LED LOT #'s can be located on the specifications sticker located on the back of each panel.



Using MT-01

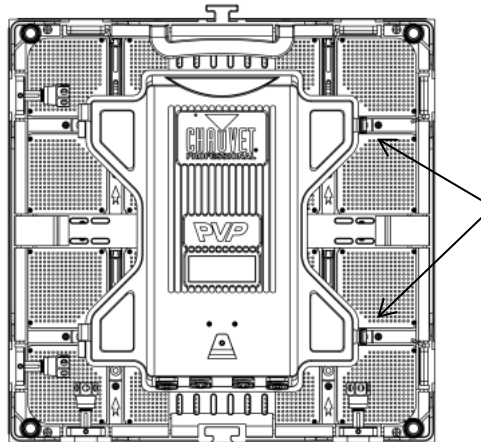


The MT-01 is a magnet specially designed to carefully remove and replace the PVP X3 LED module. Before using this tool, be sure that the magnet is drawn all the way back to the home position by turning this knob clockwise. Failure to set the magnet to the home position may result in damage to the module.



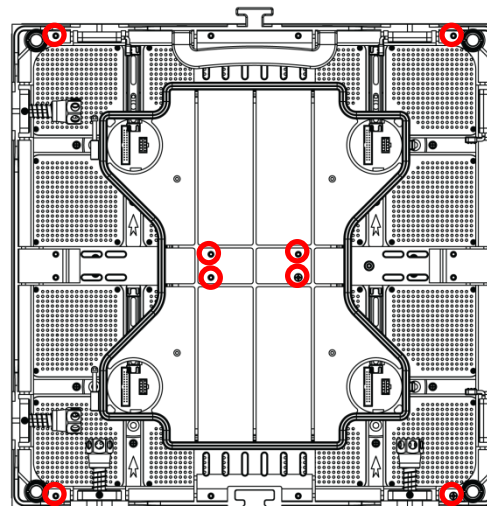
Failure to set the magnet to the home position may result in damage to the module!

*PVP X3 LED Module
Removal with MT-01*

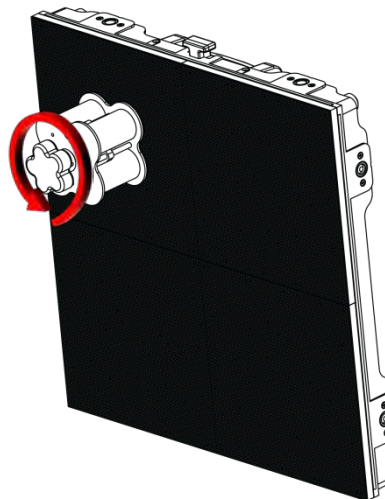


Service Access Latches

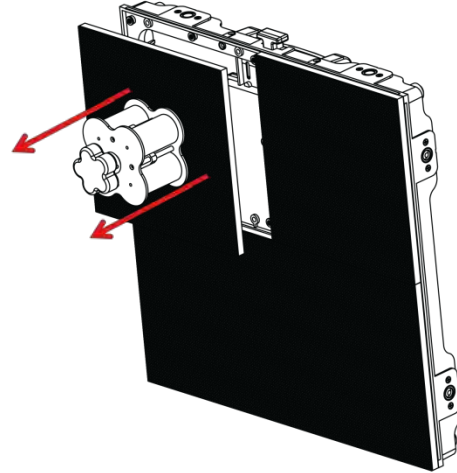
1. Orient the product on a flat table as shown.
2. Unlatch and open Service Access Door.



3. Loosen the 2 thumb screws securing the module to the frame.



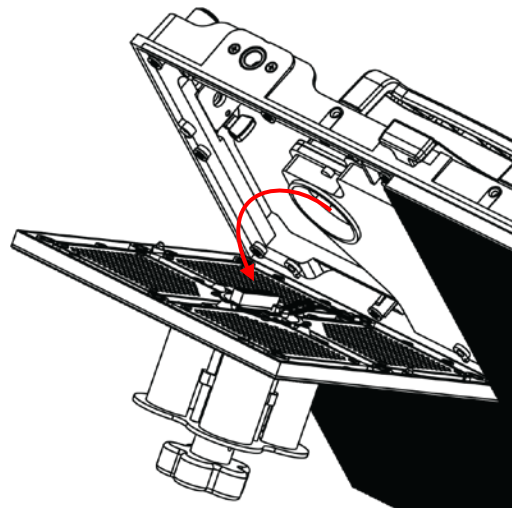
4. Carefully attach the MT-01 to the front of the module to be removed. Turn the knob counter-clockwise until the module is 1 mm away from the magnet.



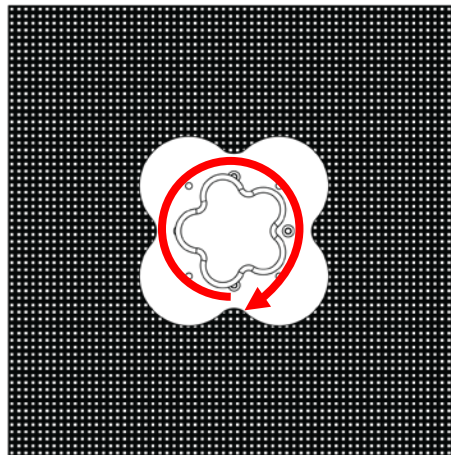
5. With steadily increasing force and as straight as possible, pull the MT-01 back until the module is released from the frame.



Use caution when removing the module not to rip out the Molex connections attached to the back of the module.

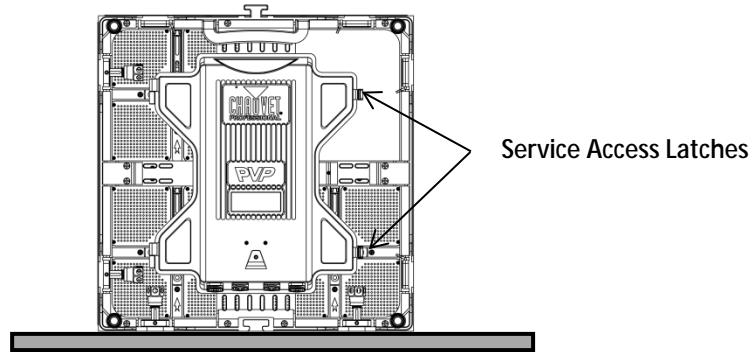


6. Unplug the 2 Molex connections from the back of the module.

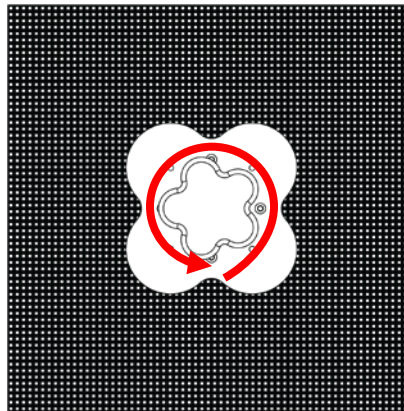


7. Release the module by turning the MT-01 knob clockwise.

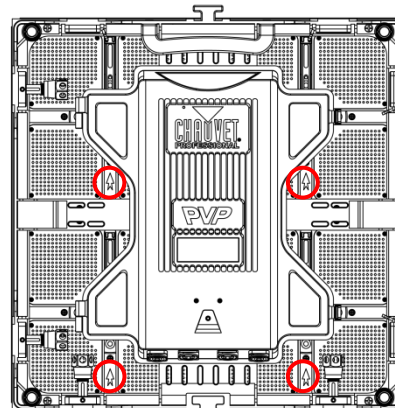
*PVP X3 LED Module
installation with MT-01*



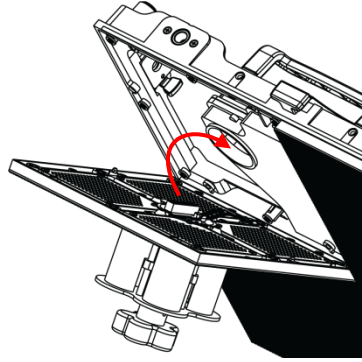
1. Orient the product on a flat table as shown.
2. Unlatch and open Service Access Door



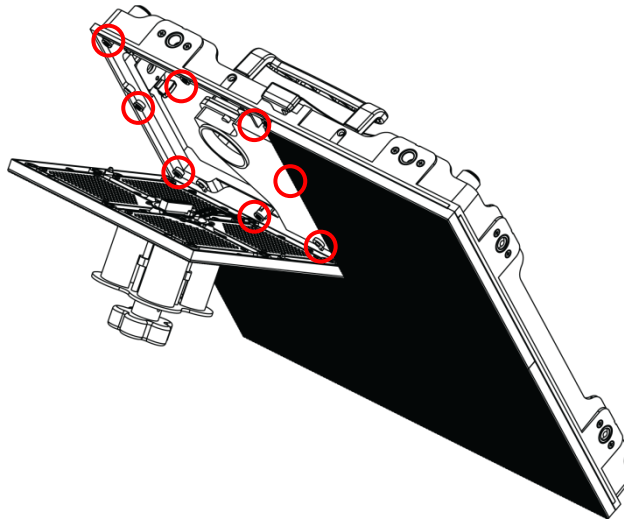
3. Place the new PVP X3 module on a flat surface.
4. With the MT-01 set to its home position, gently place the MT-01 on top of the new module.
5. Turn the knob counter-clockwise until the magnets are 1 mm away from the surface.



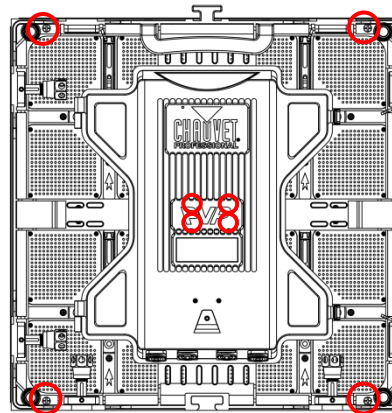
6. Orient the module so the arrow on the back is pointed up.



7. From the front of the panel, attach the 2 Molex connections from the panel to the module.



8. Using the magnets on the module, carefully attach the module to the panel.



9. Locate and tighten the thumbscrews to lock the module in place.
10. Remove the MT-01 by turning the knob clockwise to the home position and pulling it away.

8. Typical PVP X3 Installation

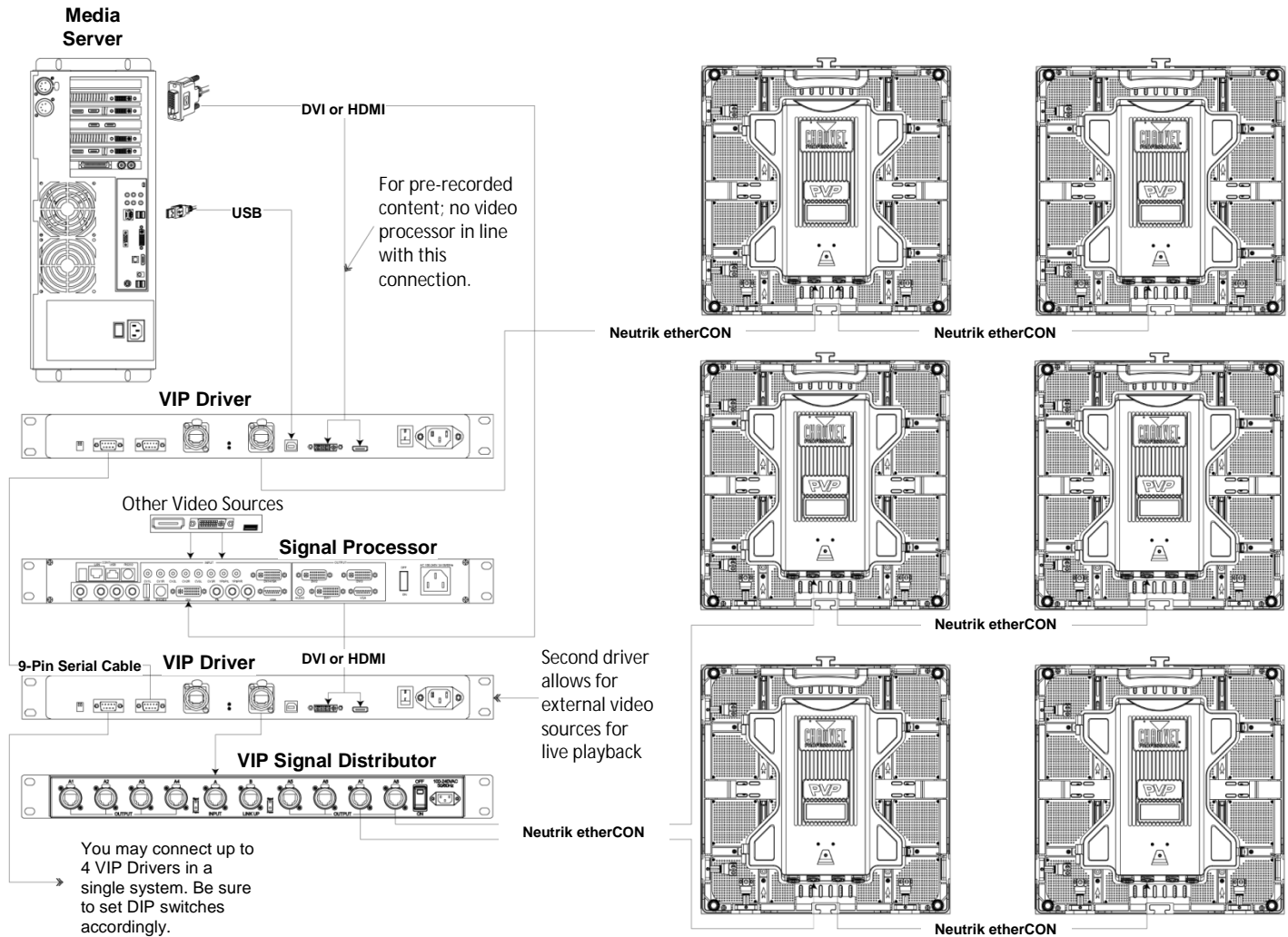
Because a video wall system can include different components to provide a simple to complex modular wall design, use the following steps as a general guide to get started.

- Step 1* Open and examine the PVP X3 road case to make sure you have received all products and accessories and that each one is in good condition.
- Step 2* Apply power and run the self-test for each PVP X3 to ensure all LEDs and inside connections in each panel are working (optional).
- Step 3* Create a stable mounting surface (e.g., truss or other stable surface) for PVP X3 mounting.
- Step 4* Mount the first top row of the PVP X3s. Refer to the [Mounting](#) section in this User Manual.
- Step 5* Adjust the alignment of the first row using the speego connectors.
- Step 6* Connect the signal source to the VIP Driver. Connect the VIP Driver to the VIP Signal Distributor (if applicable).
- Step 7* Connect either VIP Driver or VIP Signal Distributor (if being used) to the Input Signal socket of the first panel in your connection chain.
- Step 8* Based on your video wall configuration (design), join each panel, either horizontally or vertically, using the instructions in the section, [Joining Each PVP X3 \(Creating a Modular Design\)](#).
Refer to the instructions and information in the section of this User Manual, [Connecting \(Cabling\) Each PVP X3](#).

VIP Sample Video Wall System Setup

The following diagram provides a sample setup for a Chauvet VIP video wall system. This system setup includes an optional signal processor for additional video sources, and the VIP Signal Distributor to support more panels. Note that the two-driver setup shown here allows for simultaneous playback of pre-recorded and live content, all directed from a single PC.

Refer to the signal processor User Manual and the VIP Signal Distributor Quick Reference Guide for information on those video wall components.



9. Operation

Additional Hardware and Software

In addition to the panels, you will need other hardware and software to design, build, and operate your VIP video wall system. The following table summarizes these additional items—some are required and others are optional.

Item	Description	Item Code
VIP Driver	Interface between the signal source, LED Studio, and the PVP X3 being used	99090575
LED Studio	Software application used to design and run the PVPs comprising the video wall. A PC is needed	
VIP Signal Distributor (optional)	Connects between the VIP Driver and the PVPs to distribute the source signal from the VIP Driver to the video wall	99090576
PVP X Series Rigging Bar (optional)	Provides hardware needed to mount PVP X series.	06090926
Neutrik etherCON Signal Extension (optional)	Neutrik etherCON extension cable; 18 in. Neutrik etherCON extension cable; 5 ft Neutrik etherCON extension cable; 10 ft	19090363 19090364 19090365
Neutrik powerCON Extension (optional)	Neutrik powerCON Extension, 18 in Neutrik powerCON Extension, 5 ft Neutrik powerCON Extension, 10 ft Neutrik powerCON Extension, 25 ft Neutrik powerCON Extension, 50 ft	19110372 19110373 19110374 19110375 19110376
VIP Media System and one VIP Driver	Rack mountable, video computer system with the VIP Driver and LED Studio software	
VIP Media System with ArKaos MediaMaster Express + KN and One VIP Driver	Rack mountable, video computer system with the VIP Driver and LED Studio software, as well as ArKaos MediaMaster Express	
ArKaos MediaMaster Express + KN	Video playback software + KN control	

About CHAUVET LED Studio

CHAUVET LED Studio is a powerful and easy-to-learn software application used to design and run the VIP video wall system. The following is some introductory information about this software.

Refer to the CHAUVET LED Studio User Manual for detailed information and instructions on setting up and using CHAUVET LED Studio with your Chauvet VIP video wall system.

Description

CHAUVET LED Studio enables you to create and control your video wall by addressing the panels included in your video wall including pixel pitch and layout.

Once you have physically created your modular video wall design by joining the panels, connecting power, signals, and the VIP Media System, you recreate that design within LED Studio.

Detailed information and instructions are in the CHAUVET LED Studio User Manual.



Chauvet does not recommend using CHAUVET LED Studio for live show playback. For this purpose, Chauvet offers Arkaos MediaMaster, which offers numerous playback triggers, including DMX, Art-Net, MA-net, MIDI, and QWERTY.

10. Technical Information

PVP X3 Maintenance

To maintain optimum performance and minimize wear, clean this product regularly. Usage and environment are contributing factors in determining the cleaning frequency.

As a rule, clean this product at least twice a month. Dust build-up reduces light output performance and can cause overheating. This can lead to reduced light source life and increased mechanical wear.

To clean a PVP X3, follow the recommendations below:

1. Unplug the panel from power.
2. Wait until the product is at room temperature.
3. Use a soft brush to remove dust collected on the external components.
4. Wipe the outside of the LED Modules with a soft, lint-free cloth dampened with a solution of water and detergent. Apply gentle pressure only.
5. Make sure all connections are thoroughly dry before reconnecting power and signal cables.



Always dry the external surfaces carefully after cleaning them.

Returns

You must send the product prepaid, in the original box, and with the original packing and accessories. Chauvet will not issue call tags.

Call Chauvet and request a Return Merchandise Authorization (RMA) number before shipping the product. Be prepared to provide the model number, serial number, and a brief description of the cause(s) for the return.

Clearly label the package with an RMA number. Chauvet will refuse any product returned without an RMA number.



DO NOT write the RMA number directly on the box. Instead, write it on a properly affixed label.

Once you have received the RMA number, include the following information on a piece of paper inside the box:

- Your name
- Your address
- Your phone number
- The RMA number
- A brief description of the problem(s)

Be sure to pack the product properly. Any shipping damage resulting from inadequate packaging will be the customer's responsibility. FedEx packing or double-boxing is recommended.



Chauvet reserves the right to use its own discretion to repair or replace returned product(s).

11. Technical Specifications

	PVP X3	PVP X6IP
Light Source	Tri-color SMD 2121 LED	Tri-color SMD 2623 LED
Pixels per Panel	128 x 128 (16,384 total)	72 x 72 (5,184 total)
Pixel Pitch (between LEDs)	3.9 mm	6.9 mm
Pixel Density	65,536/m ²	20,736/m ²
Display Refresh Rate	1,500 Hz; up to 2,400 Hz available	1,920 Hz; 3,120 Hz available
Viewing Angle	130°	130°
Illuminance	2,100 NITS	5,600 NITS
Red Wavelength	625 nm	625 nm
Green Wavelength	525 nm	525 nm
Blue Wavelength	470 nm	470 nm
Power Supply Type	Switching	Switching
AC Voltage Range	100–240 VAC, 50/60 Hz	100–240 VAC, 50/60 Hz
Voltage Selection	Auto-ranging	Auto-ranging
Power Consumption 120 V, 60 Hz	115 W; 0.96 A	160 W; 1.33 A
Power Consumption 208 V, 60 Hz	115 W; 0.55 A	160 W; 0.77 A
Power Consumption 230 V, 50 Hz	115 W; 0.50 A	160 W; 0.70 A
Power Linking @ 120 V, 60 Hz	20 units	17 units
Power Linking @ 208 V, 60 Hz	35 units	28 units
Power Linking @ 230 V, 50 Hz	37 units	29 units
Dimensions	19.7 x 3.5 x 20.35 in (500 x 89 x 517 mm)	19.7 x 3.27 x 20.35 in (500 x 83 x 517 mm)
Weight	20.6 lb (9.34 kg)	21.2 lb (9.62 kg)
Transparency	0%	8%
Housing Material	Aluminum die-cast	Aluminum die-cast
Power Connection	Neutrik powerCON	Neutrik powerCON
Data Connection	Neutrik etherCON	Neutrik etherCON

Contact Us

USA WORLD HEADQUARTERS

General Information – Chauvet

Address: 5200 NW 108th Avenue
Sunrise, FL 33351

Voice: (954) 577-4455

Fax: (954) 929-5560

Toll free: (800) 762-1084

Technical Support

Voice: (954) 577-4455 (Press 4)

Fax: (954) 756-8015

Email: tech@chauvetlighting.com

World Wide Web www.chauvetlighting.com

EUROPE

General Information - Chauvet Europe BVBA

Address: Stokstraat 18
9770 Kruishoutem
Belgium

Voice: +32 9 388 93 97

Technical Support

Email: Eutech@chauvetlighting.eu

World Wide Web www.chauvetlighting.eu

General Information - Chauvet Europe Ltd.

Address: Unit 1C
Brookhill Road Industrial Estate
Pinxton, Nottingham, UK
NG16 6NT

Voice: +44 (0)1773 511115

Fax: +44 (0)1773 511110

Technical Support

Email: uktech@chauvetlighting.com

World Wide Web www.chauvetlighting.co.uk

MEXICO

General Information - Chauvet Mexico

Address: Av. Santa Ana 30
Parque Industrial Lerma
Lerma, Mexico C.P. 52000

Voice: +52 (728) 285-5000

Technical Support

Email: servicio@chauvet.com.mx

World Wide Web www.chauvet.com.mx

Outside the U.S., United Kingdom, Ireland, Mexico, or Benelux contact the dealer of record. Follow their instructions to request support or to return a product. Visit our website for contact details.



Notas de la edición

Este Manual de usuario se ocupa de la descripción, precauciones de seguridad, configuración, instalación, funcionamiento y mantenimiento de todos los panes de vídeo de precisión de la oferta de Chauvet. Esta edición se publicó en 2016.

Marcas registradas

Chauvet es marca registrada de Chauvet & Sons Inc. (bajo el nombre de CHAUVET o Chauvet). El logo de CHAUVET en su integridad, incluyendo el nombre Chauvet y el triángulo entramado, y todas las demás marcas de este manual pertenecen a servicios, productos o declaraciones comerciales son propiedad o con licencia de Chauvet. Cualquier otro nombre de producto, logotipo, marca, nombre de empresa y otras marcas registradas incluidas o aludidas dentro de este documento son propiedad de los respectivos titulares de la marca.

Aviso de derechos de autor

Chauvet es propietario del contenido de este manual de usuario en su totalidad, incluyendo, sin limitarse a ellos, ilustraciones, logotipos, marcas y recursos.

© **Copyright 2016 Chauvet. Todos los derechos reservados.**

Publicado en formato electrónico por Chauvet en los Estados Unidos de América.

Uso del manual

Chauvet autoriza a sus clientes a descargar e imprimir este manual solo para propósitos de información profesional. Chauvet prohíbe expresamente la utilización, copia, almacenamiento, distribución, modificación o impresión de este manual o su contenido, con cualquier fin, sin consentimiento por escrito.

Impresión del documento

Para mejores resultados, imprima este documento en color, en papel tamaño carta (215,9 x 279,4 mm), a doble cara. Si usa papel A4 (210 x 297 mm), configure la impresora para escalar el contenido proporcionalmente.

Exención de responsabilidad

Chauvet cree que la información contenida en este manual es exacta en todos los aspectos. Sin embargo, Chauvet no asume responsabilidad por cualquier error u omisión de este documento. Chauvet se reserva el derecho a revisar y hacer cambios de vez en cuando en el contenido de este documento sin obligación por parte de Chauvet de notificar a ningún individuo o empresa tales revisiones o cambios. Esto no constituye compromiso de ninguna clase por parte de Chauvet de que vaya hacer tales cambios. Chauvet puede publicar una revisión de este manual o una nueva edición del mismo para incorporar dichos cambios.

1. Antes de empezar

Qué va incluido

- PVP X3
 - Paquete individual o de 8 con maleta de transporte
- Cable de alimentación Neutrik powerCON
- Cables de enlace de alimentación Neutrik powerCON
 - Incluido con pack de 8 solamente
- Cables de enlace de señal Neutrik etherCON
 - 1 u 8 cables, según el número de PVP X3 incluidos
- Maleta de transporte
 - Incluido con pack de 8 solamente
- Tarjeta de garantía
- Manual de usuario

Instrucciones de desembalaje

Inmediatamente después de recibirlo, desembale este producto con cuidado y compruebe el contenedor. Asegúrese de que ha recibido todas las partes que se indican arriba en buenas condiciones.

Reclamaciones




A su recepción, si el continente o el contenido (el producto y los accesorios incluidos) parecen dañados a causa del transporte o muestran signos de manipulación inadecuada, notifíquesele inmediatamente al transportista, y no a Chauvet. Si no lo hace oportunamente, puede quedar invalidada su reclamación al transportista. Además, guarde la caja y todo el material de embalaje para su inspección.

Para otras incidencias, como componentes o piezas que falten, daños no relacionados con el transporte o daños no evidentes, presente una reclamación a Chauvet en el plazo de 7 días de la recepción de la mercancía.

Convenciones del manual

Convención	Significado
1-512	Un rango de valores en el texto
50/60	Un conjunto de valores mutuamente excluyentes en el texto
<SET>	Un botón en el panel de control del producto
Configuración	Una función del producto o una opción de menú
MENÚ > Configuración	Una secuencia de opciones de menú
1-10	Un rango de valores de menú entre los cuales hay que escoger en un menú
Sí/No	Un conjunto de dos opciones de menú mutuamente excluyentes en un menú
ON	Un valor único que ha de introducirse o seleccionarse en un menú

Símbolos

Símbolos	Significado
	Instalación, configuración o información crítica sobre el funcionamiento. El incumplimiento de esta información puede causar que el producto no funcione, que se averíe, u ocasionar daños al usuario.
	Instalación o información de configuración importante. Hacer caso omiso de esta información puede hacer que el producto no funcione.
	Información útil.

Notas de seguridad

Por favor, lea las siguientes Notas de seguridad con atención antes de empezar a trabajar con el producto. Estas notas incluyen información de seguridad importante sobre la instalación, uso y mantenimiento.



- **Este producto no contiene piezas reparables por el usuario. Cualquier referencia a la reparación en este Manual de usuario se aplicará solamente a técnicos certificados, adecuadamente instruidos por Chauvet. No abra la carcasa ni intente ninguna reparación.**
- **Si el producto se está usando en una aplicación móvil o en gira, el VIP Media System se debe montar en una maleta de transporte resistente a impactos (o montaje flotante). Esto evitará que se produzcan daños en los discos duros.**



Por favor, consulte todos los códigos locales y regulaciones correspondientes para la instalación adecuada de este producto.

- Conecte siempre el producto a un circuito con toma de tierra para evitar el riesgo de electrocución.
- Este producto está clasificado como IP43 y deberá usarse solamente en ambientes que cumplan este criterio.
- Si cuelga el producto, asegúrelo siempre a un dispositivo de seguridad usando un cable de seguridad.
- La temperatura ambiente máxima es de 122 °F (50 °C). No haga funcionar el producto a temperaturas más altas.
- **CUIDADO:** cuando traslade el producto desde ambientes de temperatura extrema (p. ej. desde un camión frío a una sala de fiestas húmeda y caliente) se puede formar condensación en la electrónica interna del producto. Para evitar que se produzca un fallo, deje que el producto se aclimate totalmente al entorno antes de conectar la alimentación.
- No haga funcionar este producto si aprecia daño en la carcasa, en los módulos LED o en los cables. En cualquiera de estos casos, las piezas dañadas deben ser sustituidas por un técnico autorizado.
- No abra o modifique el producto.
- Para evitar un desgaste innecesario y alargar su vida útil, desconecte completamente el producto de la alimentación mediante el interruptor o desenchufándolo durante periodos en que no se use.
- Asegúrese de que el producto se conecta a la tensión adecuada indicada en las especificaciones de este manual y/o la etiqueta de especificaciones en el producto.
- Nunca intente reparar el producto. Las reparaciones llevadas a cabo por personal no cualificado pueden provocar averías o funcionamiento defectuoso. Por favor contacte con el Servicio Técnico de Chauvet.



- Cualquier avería causada por modificaciones manuales no está cubierta por la garantía. Chauvet no aceptará responsabilidad por ningún daño resultante de modificaciones no autorizadas o de no observar las advertencias de seguridad y las instrucciones del manual.
- ¡NO monte este producto en exteriores! Estos paneles no permiten que el viento pase a través, y actuarían como una vela.



En el caso improbable de que su producto Chauvet necesite reparación, póngase en contacto con el Servicio técnico de Chauvet.

Vida útil prevista del LED

Los LED van perdiendo brillo paulatinamente con el tiempo, principalmente a causa del calor. Unidos en grupo, los LED arrojan unas temperaturas de funcionamiento superiores a las condiciones ideales de un LED individual. Por esta razón, usar LED agrupados a su máxima intensidad reduce significativamente la vida del LED. El diseño de la gestión térmica y eléctrica del panel PVP X3 está diseñado para proporcionar la vida útil del LED más larga posible. Bajo condiciones normales de funcionamiento, esta vida puede ser de 50.000 horas o más. Si prolongar esta duración es vital, baje la temperatura de funcionamiento mejorando la ventilación alrededor del aparato y reduzca la temperatura ambiente a un rango óptimo. Además, limitar la intensidad de proyección total puede contribuir a alargar la vida del LED.

2. Introducción

Descripción del producto

El PVP X3 forma parte de la línea VIP de la serie PVP X de productos de mural de vídeo. Además del PVP X3, esta línea incluye el PVP X6IP.

Cada modelo es un panel de vídeo que se compone de múltiples LED tricolor. Cuando se ensamblan y se conectan múltiples paneles (señal y alimentación), la configuración completa se convierte en un diseño de mural de vídeo modular.

La construcción en aleación de aluminio y acero inoxidable consigue que el PVP sea sólido y fiable, así como fácil de instalar y de desmontar. Se pueden ensamblar varios paneles en horizontal o en vertical, y cada modelo es intercambiable con los demás. Esta flexibilidad le brinda numerosas posibilidades de diseño modular.

Las direcciones se asignan al sistema de mural de vídeo PVP utilizando un PC y el software CHAUVET LED Studio. Consulte el Manual de usuario de CHAUVET LED Studio para información detallada e instrucciones de CHAUVET LED Studio.

Características

- Panel modular de vídeo de 3,9 mm de tamaño de píxel con LED SMD 2121
- El material de acero inoxidable va integrado en cada panel para una unión segura entre los paneles
- La construcción de aleación maciza de aluminio hace que estos paneles sean duraderos y aptos para el mercado de gira/alquiler.
- Los módulos de LED magnético se sustituyen rápida y sencillamente sobre el terreno o en el banco de reparación
- Los LED tricolores, de cuerpo negro integral, proporcionan los niveles de negro y contraste más altos de su clase
- Los cortes realizados por ordenador con CNC proporcionan la máxima precisión para conexiones modulares perfectas
- Funciona con VIP Driver y con VIP Signal Distributor
- Utilícelo con la Rig Bar de la serie X (RB-X50CM) y (RB-X200CM) para colgar los paneles, o con los orificios M12 de la parte posterior de cada panel
- VIP Driver (necesario)

Productos adicionales

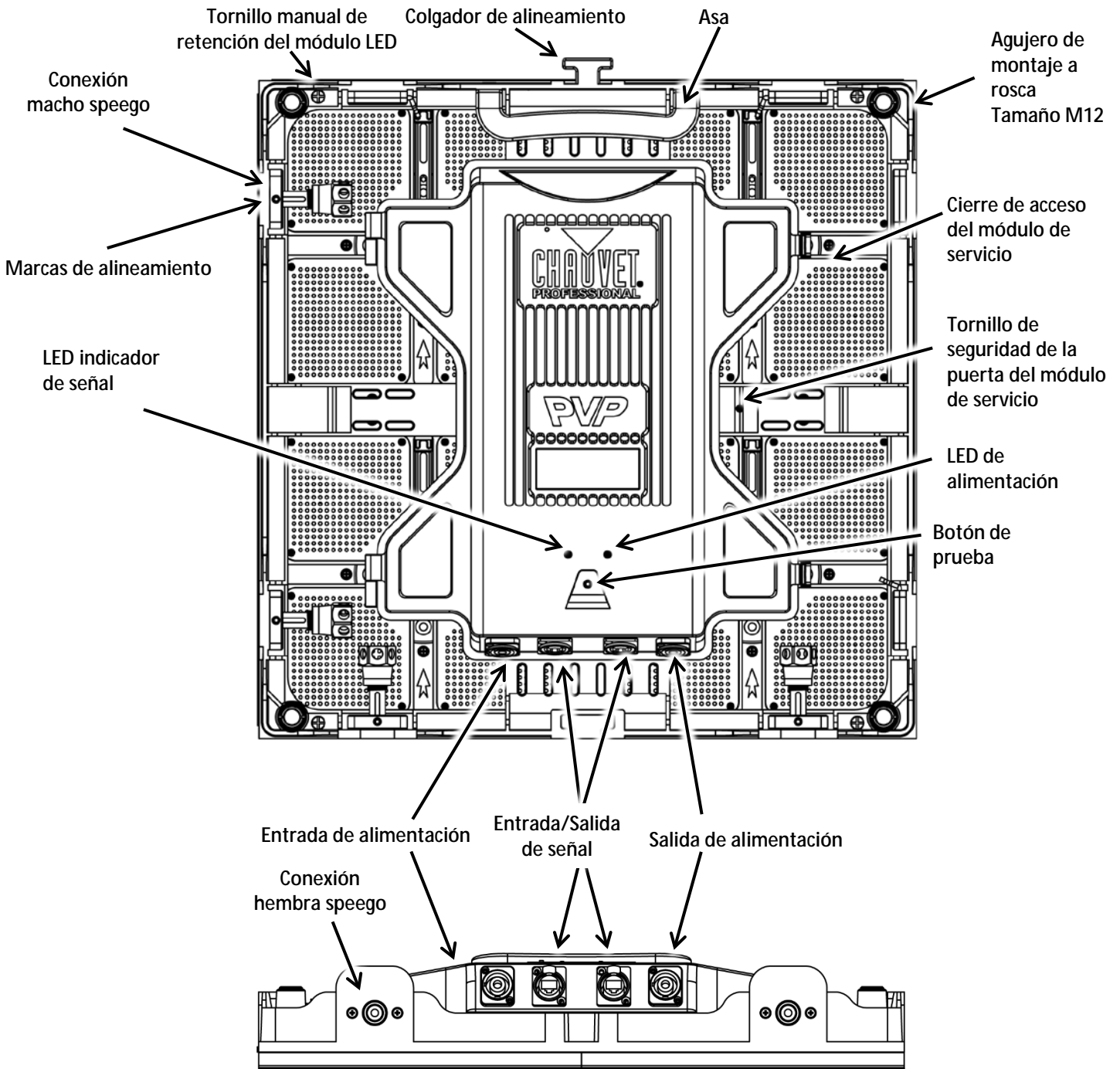
Accesorios opcionales

- VIP Signal Distributor
- Rig Bar de la serie X PVP (RB-X50CM) y (RB-X200CM)
- VIP Media Server Pro
- VIP 5162b Signal Processor

Cables de alimentación y señal disponibles (opcionales)

- Cables de señal (extensiones de señal Neutrik etherCON)
 - ETHERCONEXT5FT
 - ETHERCONEXT10FT
 - ETHERCONEXT25FT
 - ETHERCONEXT50FT
- Cables de alimentación (extensiones Neutrik powerCON)
 - POWERCONEXT5FT
 - POWERCONEXT10FT
 - POWERCONEXT25FT
 - POWERCONEXT50FT

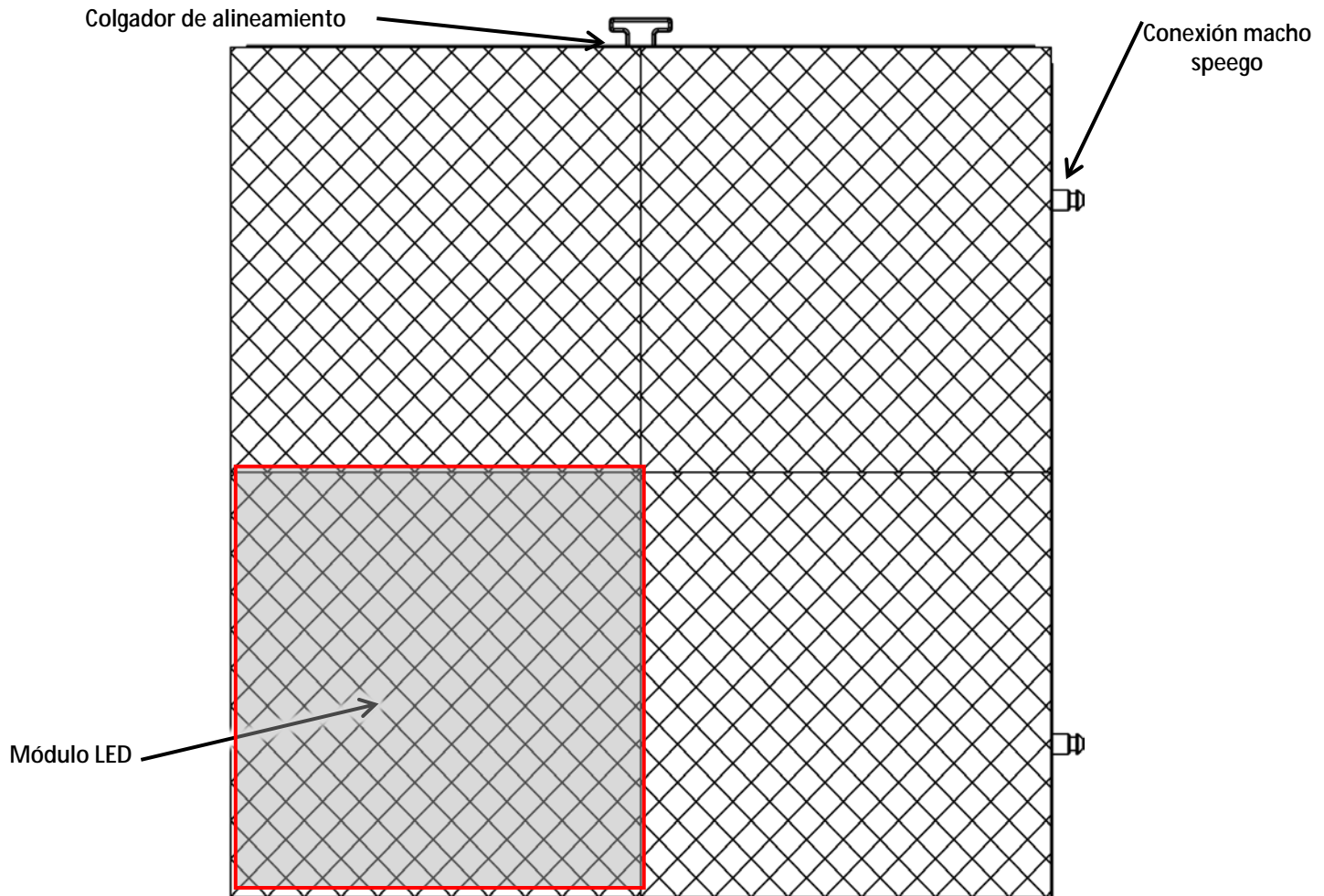
Vista general del producto: PVP X3



La diferencia entre cada modelo PVP es el tamaño de píxel (espacio) entre los LED y el número de píxeles (LED) en cada fila y columna. Los componentes y carcasa básicos son idénticos.



Advertencia: ¡El cierre del acceso de servicio es solamente para técnicos autorizados por Chauvet! Si lo abre, puede anular la garantía de Chauvet.



Píxeles por panel del PVP

Aunque cada PVP tiene las mismas dimensiones exteriores, los píxeles por panel del LED varían. Cada píxel es 1 LED tricolor. La siguiente tabla indica los píxeles por panel en cada PVP. El número de modelo (p. ej., X3) indica el tamaño de píxel en milímetros entre cada tira de luz en ese modelo PVP. Para ver las especificaciones en detalle, consulte la tabla [Especificaciones técnicas](#) al final de este Manual de usuario.

	PVP X3
Píxeles por panel	128 x 128
Píxeles totales	16.384
Píxeles por módulo LED	64 x 64
Píxeles totales del módulo LED	4.096
Dimensiones del módulo LED	250 x 250 mm



Para calcular el número de paneles, en horizontal o en vertical, soportados por un solo VIP Driver, se utilizarán:

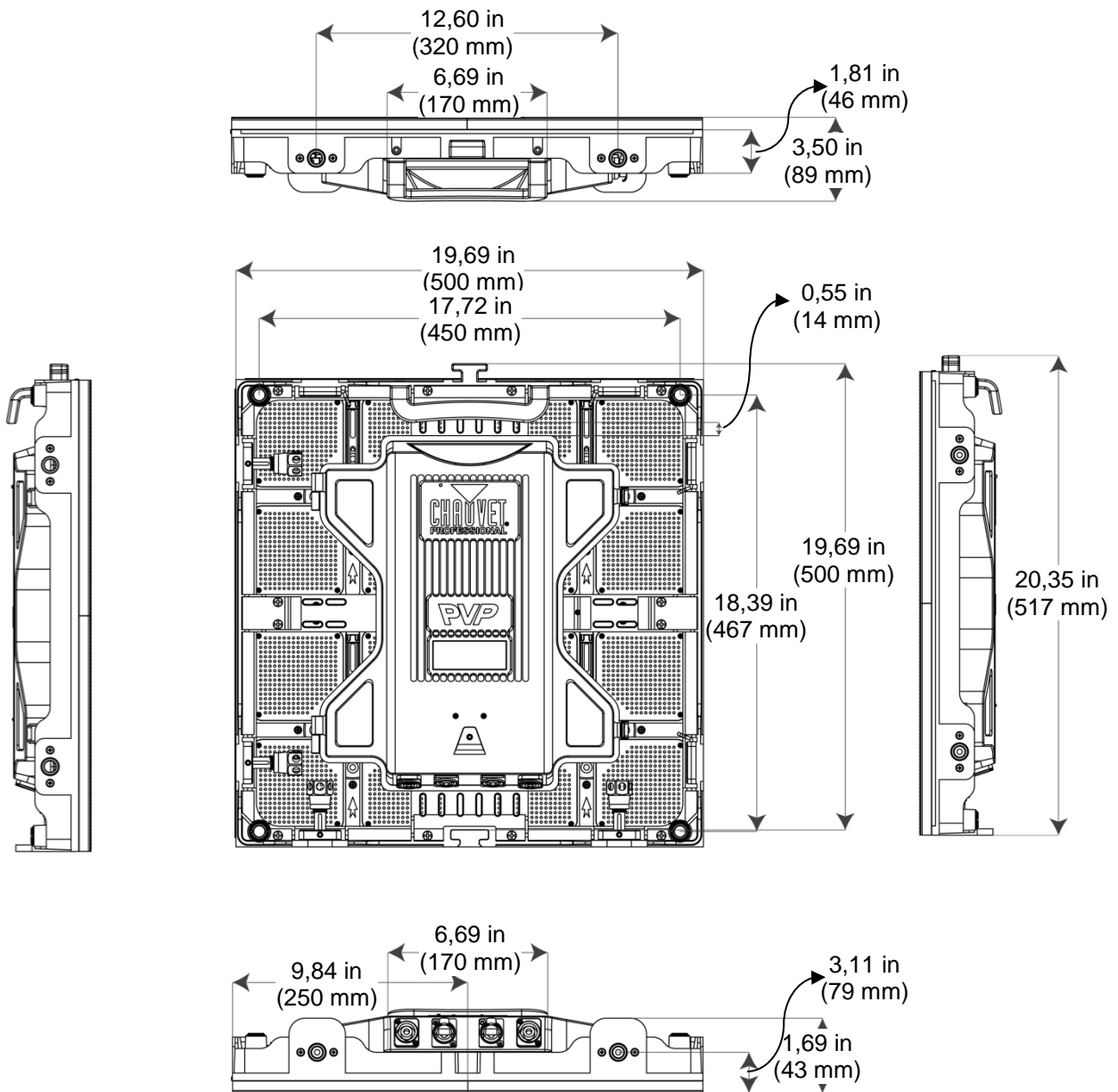
- El número de píxeles por panel.
- La resolución de pantalla que le gustaría usar para su pantalla de mural de vídeo.

Es necesario el VIP Driver para manejar un sistema de mural de vídeo VIP de Chauvet. Más adelante en este manual aparecen diagramas con la forma de conectar los paneles PVP X3 y el VIP Driver. Para ver una información detallada sobre el VIP Driver y ejemplos de cálculos de paneles, consulte la Guía de referencia rápida de VIP Driver.

Dimensiones del producto



Cada modelo PVP de la serie tiene las mismas dimensiones exteriores de carcasa.



3. Instalación

Corriente alterna

Todos los PVP X3 tienen una fuente de alimentación con detección automática (auto-rango) que funciona con un rango de tensión de entrada de 100–240 VCA, 50/60 Hz. Para determinar los requisitos de alimentación de cada PVP X3, consulte la etiqueta fijada en el producto. También puede consultar el cuadro de [Especificaciones Técnicas](#) de este manual.

La especificación de corriente listada indica el consumo de corriente máximo con funcionamiento normal. Para más información, puede descargar Dimensionar Interruptores Automáticos del sitio web de Chauvet: www.chauvetprofessional.com.



- **Conecte siempre este producto a un circuito protegido con una toma de tierra eléctrica apropiada para evitar el riesgo de electrocución o incendio.**
- **Para evitar un desgaste innecesario y alargar su vida útil, desconecte completamente el producto de la alimentación mediante el interruptor o desenchufándolo durante periodos en que no se use.**



Nunca conecte este producto a un reostato (resistor variable) o circuito de atenuación, incluso si el canal del reostato o atenuador sirve solo como conmutador 0 a 100%.

Enchufe CA

Cada PVP X3 viene con un cable de alimentación en cadena para conectar la alimentación entre paneles, además de un cable de entrada de alimentación.

Este cable tiene un conector powerCON para conectar al PVP X3 y un enchufe Edison para la entrada de alimentación. Utilice la tabla de más abajo como referencia para cablear un enchufe nuevo.

Conexión	Cable (EE. UU.)	Cable (Europa)	Color del tornillo
CA cargado	Negro	Marrón	Amarillo o cobre
CA Neutro	Blanco	Azul	Plata
CA Tierra	Verde/Amarillo	Verde/Amarillo	Verde

Alimentación en cadena

Todos los paneles de la serie PVP admiten alimentación en cadena. Consulte la tabla siguiente para las especificaciones de cada panel.

	PVP X3
a 120 V, 60 Hz	20
a 208 V, 60 Hz	35
a 230 V, 50 Hz	37



Por favor, consulte todos los códigos locales y regulaciones correspondientes para la instalación adecuada de este producto.

4. Montaje

Orientación

Todos los PVP X3 están fabricados en aleación de aluminio. Esto garantiza que cada panel es estable y fácil de instalar. Cada panel tiene también una cómoda asa integrada situada en la parte superior de la trasera del panel, junto con un pivote de alineamiento en la parte de arriba. Esta combinación le posibilita agarrar fácilmente y sujetar con seguridad cada panel mientras trabaja con los paneles y los monta.

Los PVP X3 se pueden ensamblar para proporcionar un número indefinido de diseños modulares. Los paneles de la parte superior de pueden colgar con seguridad de un truss u otra superficie estable. Cuélguelos siempre en una posición segura con espacio adecuado para la ventilación, configuración y mantenimiento.

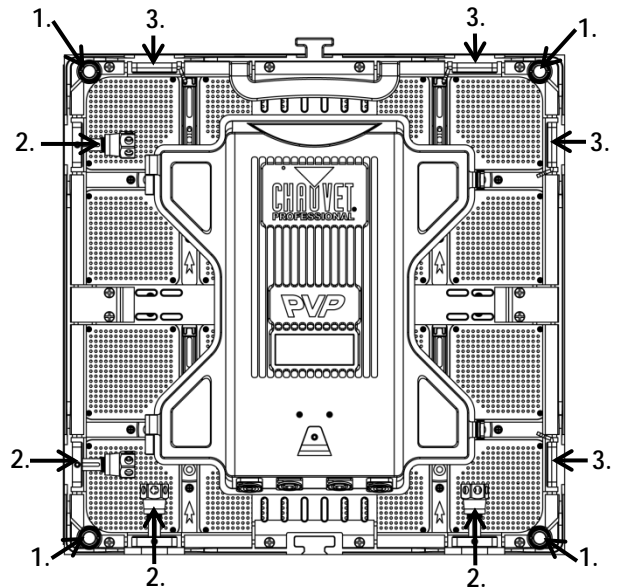
Chauvet recomienda que se sigan las siguientes directrices generales.

- Cuando seleccione una ubicación para instalar, tenga en cuenta la facilidad de acceso para el manejo y para el mantenimiento de rutina.
- Asegúrese de colgarlo apartado de cualquier material inflamable, como se indica en el apartado [Notas de seguridad](#).
- Nunca monte en lugares donde la lluvia, cambios extremos de temperatura o ventilación limitada puedan afectarlo.
- Asegúrese de que la estructura de la que va a colgar los paneles puede soportar su peso.

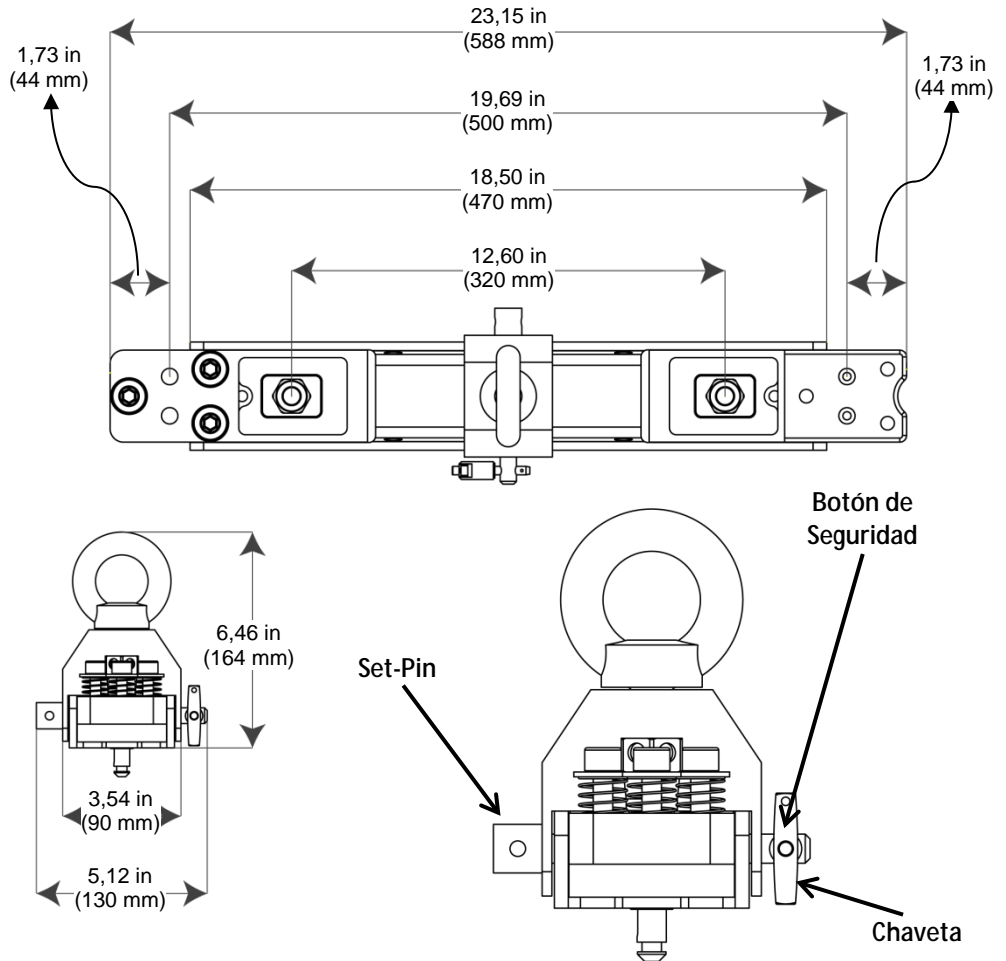
Consulte las [Especificaciones técnicas](#) para ver los requisitos de soporte de peso de cada PVP X3.

Puntos de montaje

1. Montaje a rosca
Agujeros tamaño M12 (4x)
2. Conexión macho speego
3. Conexión hembra speego



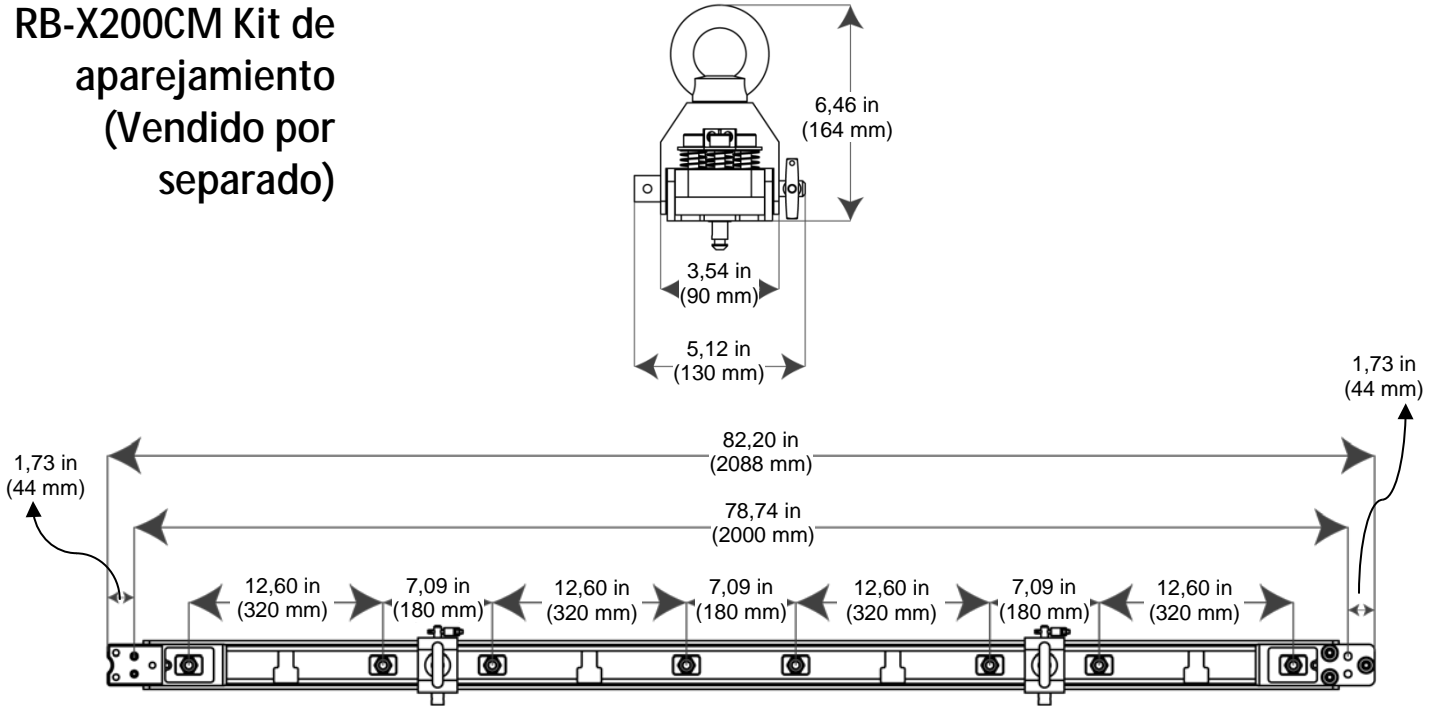
RB-X50CM Kit de aparejamiento (Vendido por separado)



Instalación Armella

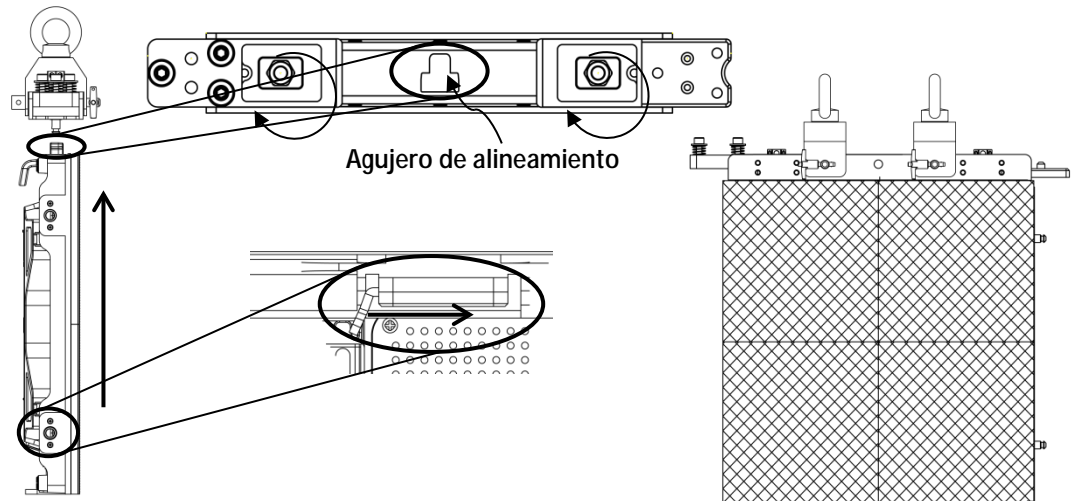
1. Eliminar chaveta de set-pin presionando primero el botón de seguridad en el medio de la manija
2. Extraiga el conjunto pines de cáncamo.
3. Alinee el perno de ojo sobre uno de los agujeros precortados de la barra de perforación.
4. Vuelva a insertar el pasador de fijación para asegurar el perno de ojo a la barra de plataforma
5. Vuelva a insertar la chaveta en el conjunto de pines.

**RB-X200CM Kit de aparejamiento
(Vendido por separado)**



Tenga en cuenta que la RB-X2000CM lleva 2 juegos de armellas preinstalados.

*Kit de aparejamiento/
Ensamblaje del panel*



1. Inserte el colgador de alineamiento en el agujero de alineamiento y empuje el panel hacia adelante.
2. Empuje los dos Speego macho en las conexiones Speego hembra y gire en sentido horario para sujetar el panel a la barra de aparejamiento.
3. Siga los mismos pasos en sentido inverso para quitar el panel de la barra. Empuje la pestaña en la conexión Speego hembra para soltar el Speego macho

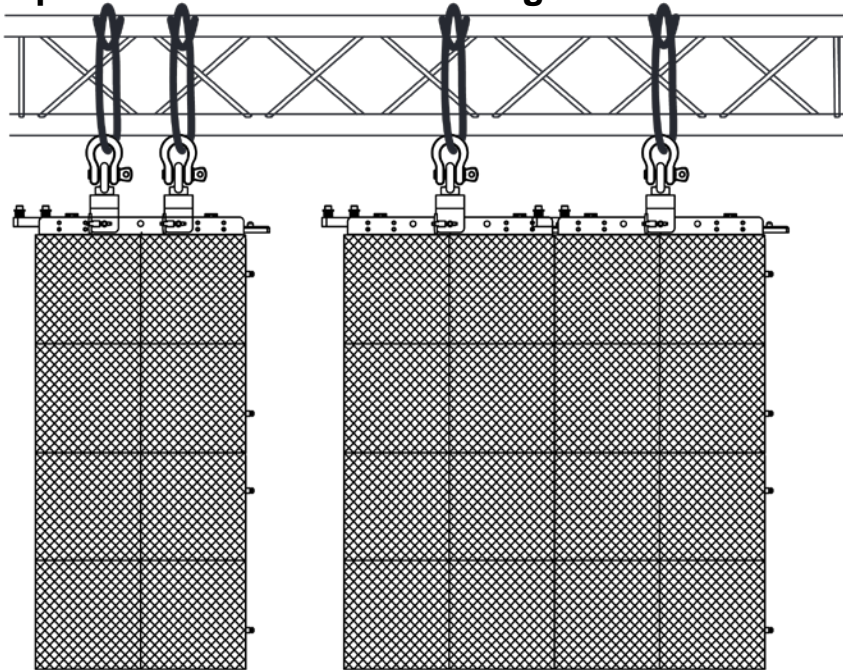


El colgador de alineamiento en el PVP X3 está diseñado para sostener temporalmente el peso del panel para permitir que el usuario alinee y sujete el panel en su sitio.

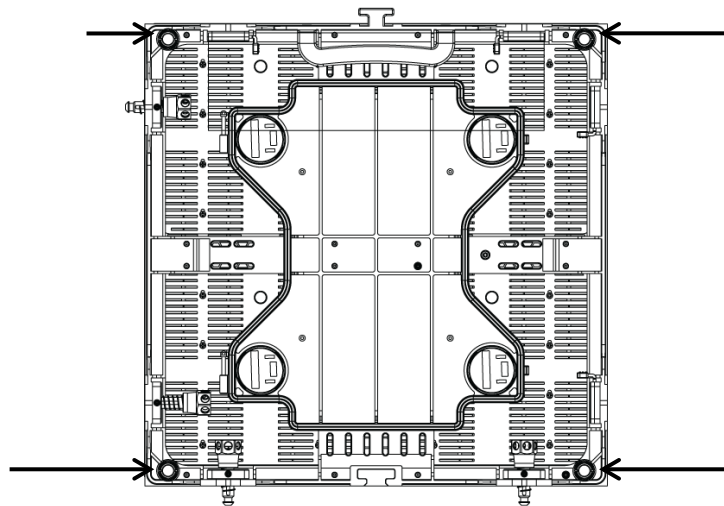
Instalación de truss

Consulte el diagrama siguiente para la instalación de truss. Chauvet dispone de la Rig Bar PVP Serie X (vendida por separado), específicamente diseñada para colgar los paneles.

Acoplar al truss utilizando la Rig Bar PVP Serie X



Montaje a rosca
 Agujeros tamaño M12 (4x)



Las 4 perforaciones de montaje M12 están diseñadas para la instalación y montaje sobre una superficie plana por detrás de los paneles de video. Las 4 posiciones de montaje del panel tienen que ser utilizadas para garantizar la integridad de la estructura. Las perforaciones de montaje M12 no están diseñadas para colgar o suspender los paneles de una estructura o cualquier otro elemento elevado.

Para colgar o suspender los paneles de estructuras o cualquier otro elemento elevado, utilice las barras de sujeción de la serie X (RBX-50CM y RBX-200CM, se venden por separado).



Las ilustraciones de arriba son solo ejemplos. Por favor, consulte todos los códigos locales y regulaciones correspondientes para la instalación adecuada de este producto.

Material de montaje de la serie PVP X (vendido por separado)

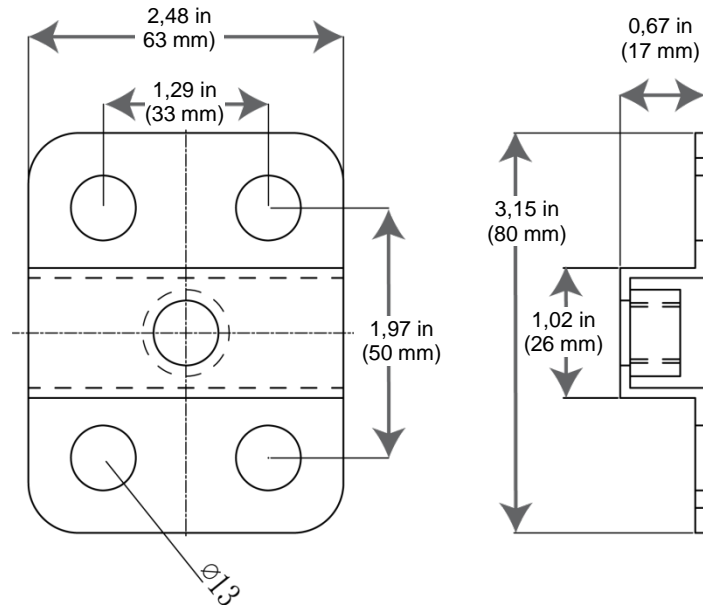
Chauvet le ofrece el kit de material de montaje de la Serie X (vendido por separado), específicamente diseñado para colgar grupos de paneles. Los kits se venden en paquetes de 10.

Nota: estos soportes están diseñados para usarse con puntales de acero o con tubo cuadrado de acero de 1" (25 mm), ninguno de los cuales está disponible en Chauvet.

Cada kit incluye:

- 1 soporte
- 4 tornillos M12x55
- 4 tornillos M12x20
- 4 arandelas planas de acero
- 4 arandelas de bloqueo de acero

Dimensiones del soporte

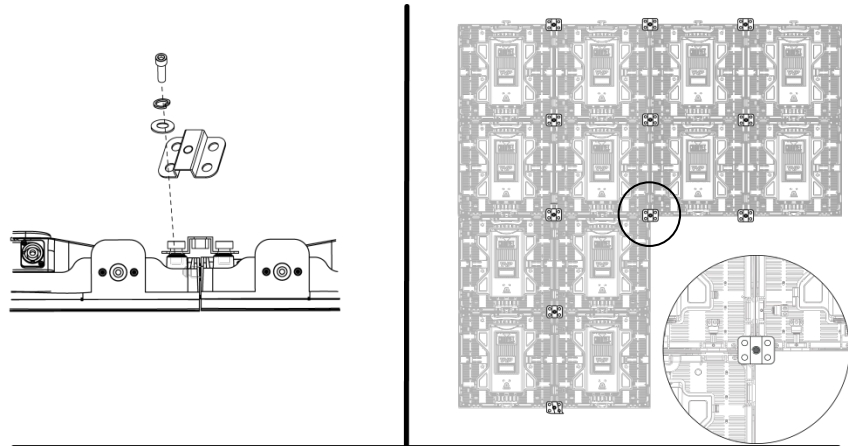
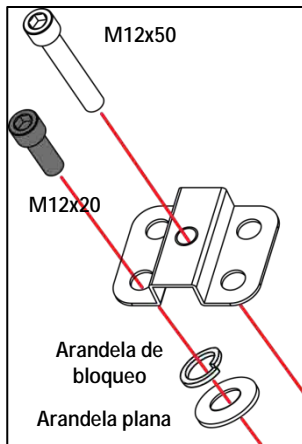


Las 4 posiciones de montaje M12 están diseñadas para montar a ras de pared en una superficie plana detrás de los paneles de vídeo. Se deben utilizar las 4 posiciones de montaje para el panel con el fin de mantener la integridad de la estructura. Los montajes M12 no están pensados para que cuelguen o se suspendan de un truss u otra estructura en altura.

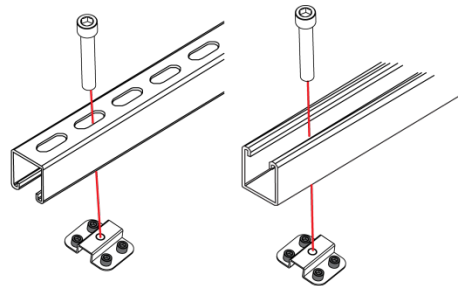
Método 1: montaje para puntales de acero (u otras superficies)

Los puntales de acero u otras superficies de montaje equivalentes se deben adquirir por separado. Véase Dimensiones del soporte para tamaños absolutos.

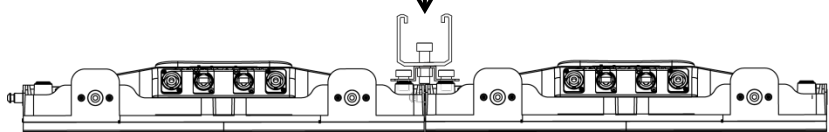
1. Utilice tornillos M12x20, con arandela de bloqueo y arandela plana, para acoplar soportes a ras de pared sobre paneles conectados de forma segura. Ver imágenes



2. Colocación de puntales en los soportes usando el tornillo M12x50; cualquier opción es admisible.



3. Por último, inserte los tornillos M12x50 en el agujero roscado central para apretar y fijar en su sitio los paneles sobre los puntales.



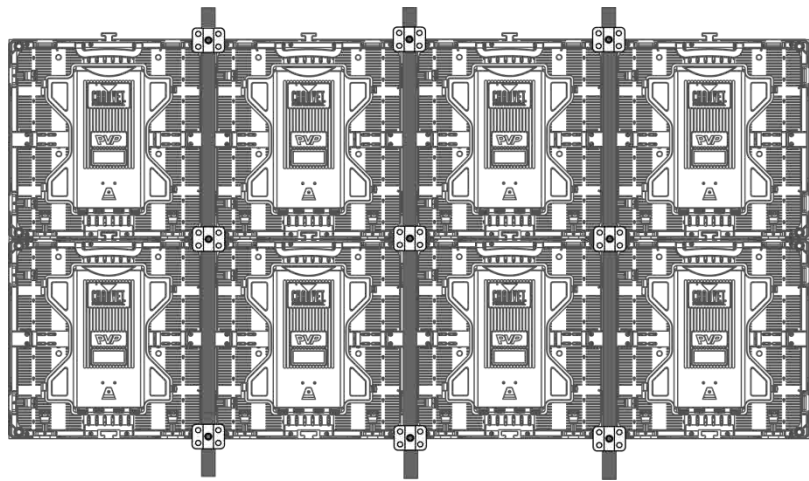
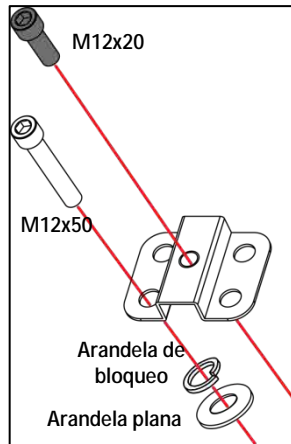
Las ilustraciones de arriba son solo ejemplos. Por favor, consulte todos los códigos locales y regulaciones correspondientes para la instalación adecuada de este producto.



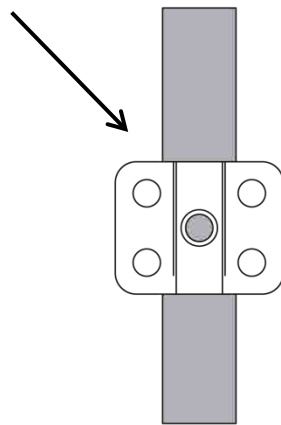
Asegúrese de que todas las superficies de montaje que planea usar son capaces de soportar el peso de todos los paneles que se van a montar. Utilice todos los puntos de montaje oportunos.

Método 2: montaje para tubos de acero

El tubo de acero cuadrado de alta resistencia de 1" (25 mm) o equivalente se debe adquirir por separado. Véase Dimensiones del soporte para tamaños absolutos.

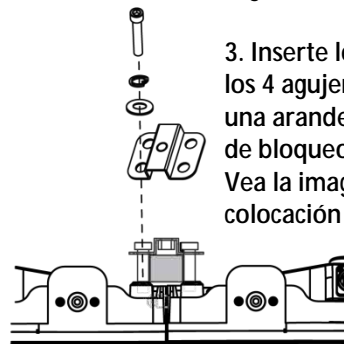


1. Colocación de los soportes en el tubo cuadrado de acero de 1" (25 mm)

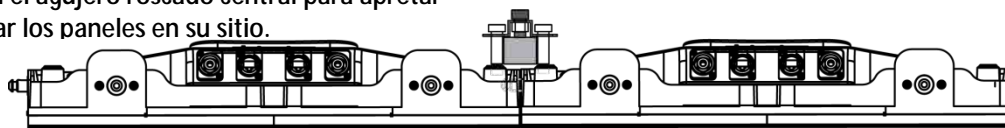


2. Alinee los soportes y el tubo de acero para conectar los paneles con seguridad.

3. Inserte los tornillos M12x50 en los 4 agujeros de montaje utilizando una arandela plana y una arandela de bloqueo de acero para cada uno. Vea la imagen de arriba para la colocación del soporte.



4. Por último, después de haber comprobado que todos los soportes están en el emplazamiento correcto, inserte los tornillos M12x20 en el agujero roscado central para apretar y fijar los paneles en su sitio.



Las ilustraciones de arriba son solo ejemplos. Por favor, consulte todos los códigos locales y regulaciones correspondientes para la instalación adecuada de este producto.

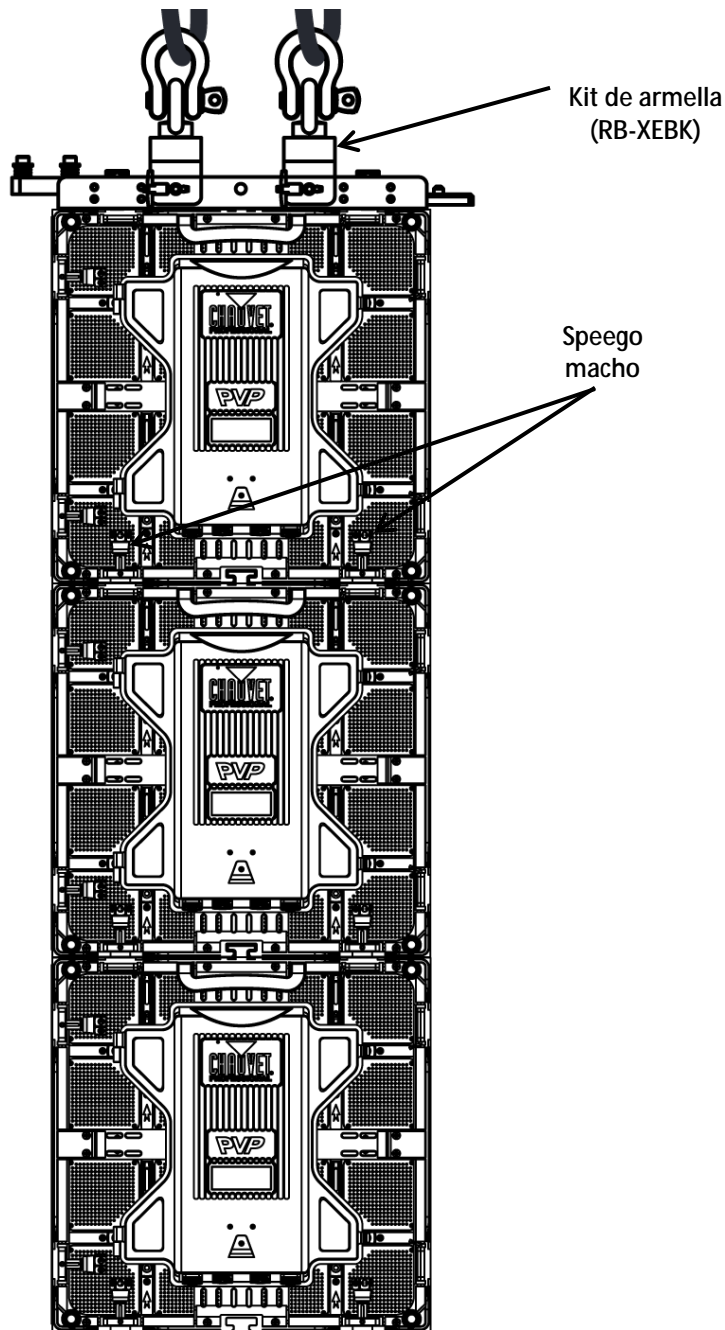


Asegúrese de que todas las superficies de montaje que planea usar son capaces de soportar el peso de todos los paneles que se van a montar. Utilice todos los puntos de montaje oportunos.

5. Unir todos los PVP X3 (crear un diseño modular)

Unir los paneles verticalmente

Cada PVP X3 se puede unir fácilmente en vertical a un truss usando una barra de aparejamiento opcional con un conector de armella adicional (vendido por separado) y las 2 conexiones speego hembra situadas en las esquinas superiores de cada panel. Utilice las conexiones speego macho en la parte inferior de cada panel para conectar paneles adicionales. Estos conectores permanecen hundidos cuando no se utilizan.

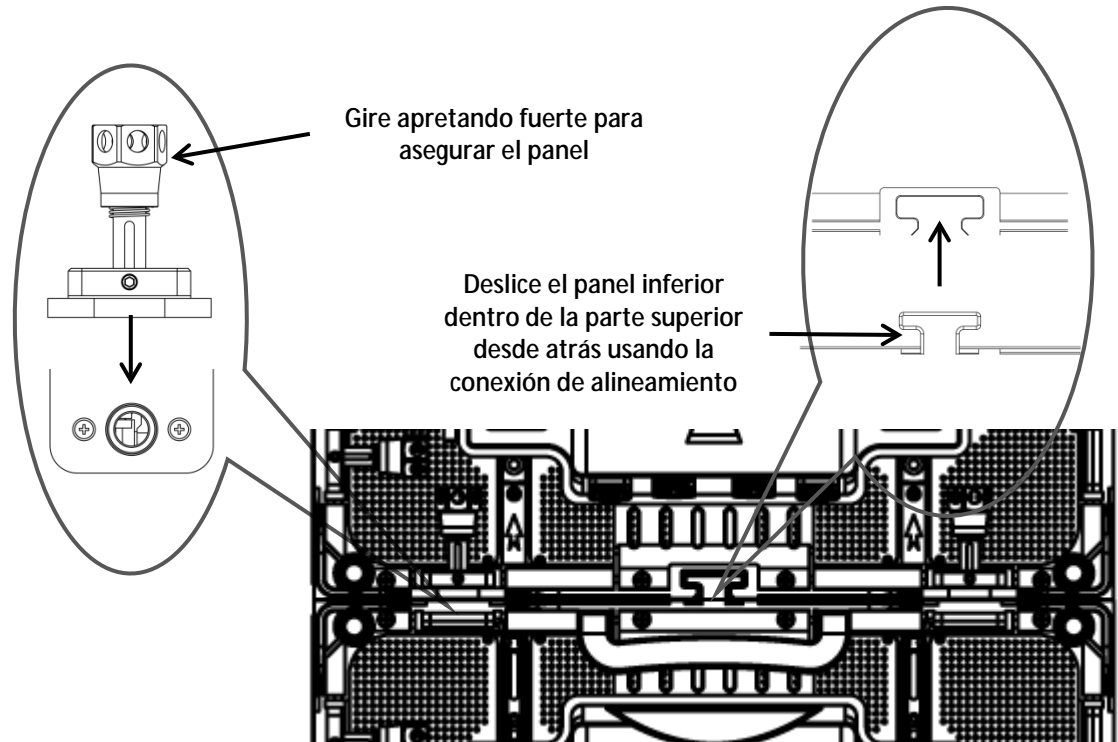


Los paneles se deben instalar con el Kit de armella adicional como se indica más arriba en una instalación de columna única cuando se use la Rig Bar PVP Serie X.

Conexión del panel vertical

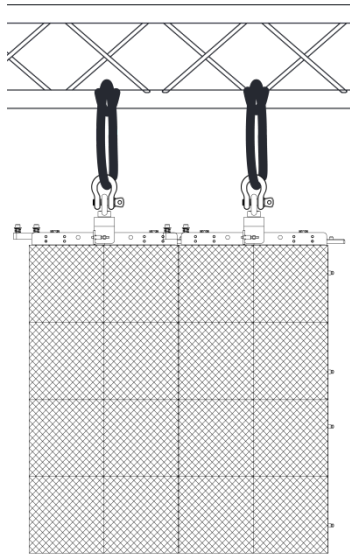
Siga las instrucciones siguientes para unir los paneles verticalmente:

1. Alinee la conexión de alineamiento de la parte superior e inferior de cada panel.
2. Empuje los conectores speego macho hacia adentro de los conectores speego hembra.
3. Gire los mandos hasta apretarlos para fijar en su sitio.



Unir los paneles horizontalmente

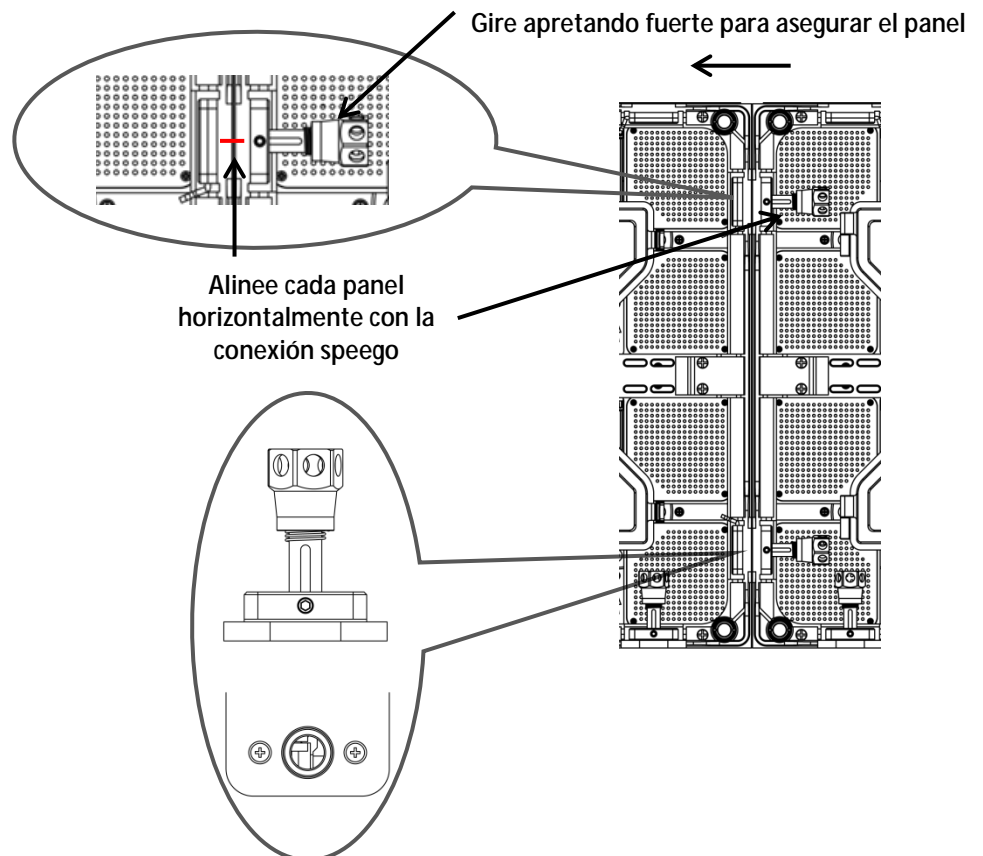
Cada PVP X3 se puede unir fácilmente en horizontal usando los 2 mandos de bloqueo de las partes interior, superior izquierda e inferior de cada panel.



Conexión del panel horizontal

Siga las instrucciones siguientes para unir los paneles horizontalmente:

1. Alinee cada uno de las conexiones speego macho de los paneles con las correspondientes conexiones speego hembra de los paneles que se añadan.
2. Empuje las conexiones speego macho en las conexiones speego hembra de cada lado de los paneles.
3. Gire los mandos hasta apretarlos para fijar en su sitio.



6. Conectar (cablear) los PVP X3

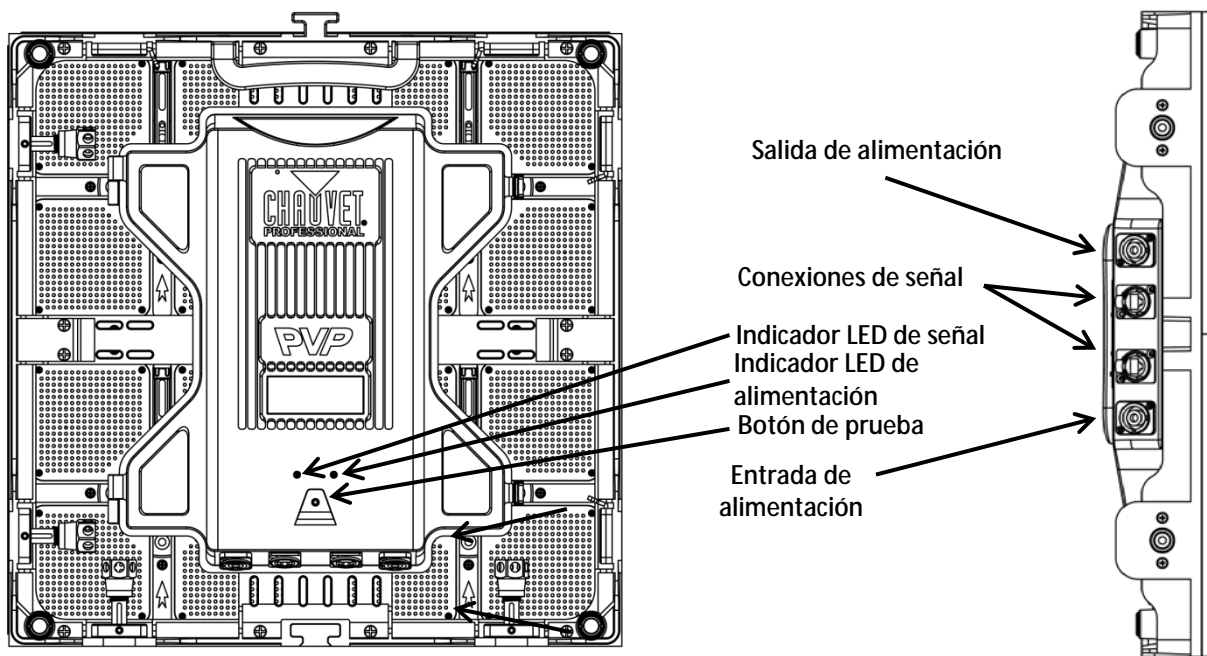
Probar la señal y las conexiones de alimentación

Cada PVP X3 tiene 2 tomas de alimentación y 2 puertos de señal.

- Las conexiones de alimentación y señal se encuentran en la parte inferior del módulo de servicio de cada panel.
- Los puertos de señal se pueden usar indistintamente.
- Cada panel PVP X3 tiene luces indicadoras LED.
- Cada panel indica una conexión de alimentación correcta cuando la luz indicadora de alimentación permanece roja.
- Cada panel indica recepción de señal de vídeo cuando la luz indicadora LED de señal parpadea en verde. La luz ha de lucir intermitentemente para indicar una buena recepción.

Vista del panel posterior

Vista de la parte inferior del acceso



Utilizar el botón de prueba del PVP X3

Cada PVP X3 dispone también de un botón de prueba, que se utiliza para asegurarse de que todos los LED están operativos. Utilice el botón de prueba en cada panel para realizar una autocomprobación. Si realiza la autocomprobación, debe realizar las pruebas individualmente para cada PVP X3. No necesita conectarlos a una señal ni utilizar software.



Cuando use el botón de prueba, asegúrese de que el PVP X3 no está conectado al VIP Driver.

Para usar el botón de prueba debe conectar la alimentación, pero **no** conecte los cables de señal. Pulse el botón de prueba para cambiar entre las distintas configuraciones de pantalla de luz LED.

Conectar los cables de alimentación y señal

Los siguientes apartados proporcionan información y diagramas sobre la conexión de señal y alimentación entre paneles.

Consulte los apartados [Introducción](#) o [Funcionamiento](#) de este Manual de usuario para ver los cables disponibles y los números de artículo.

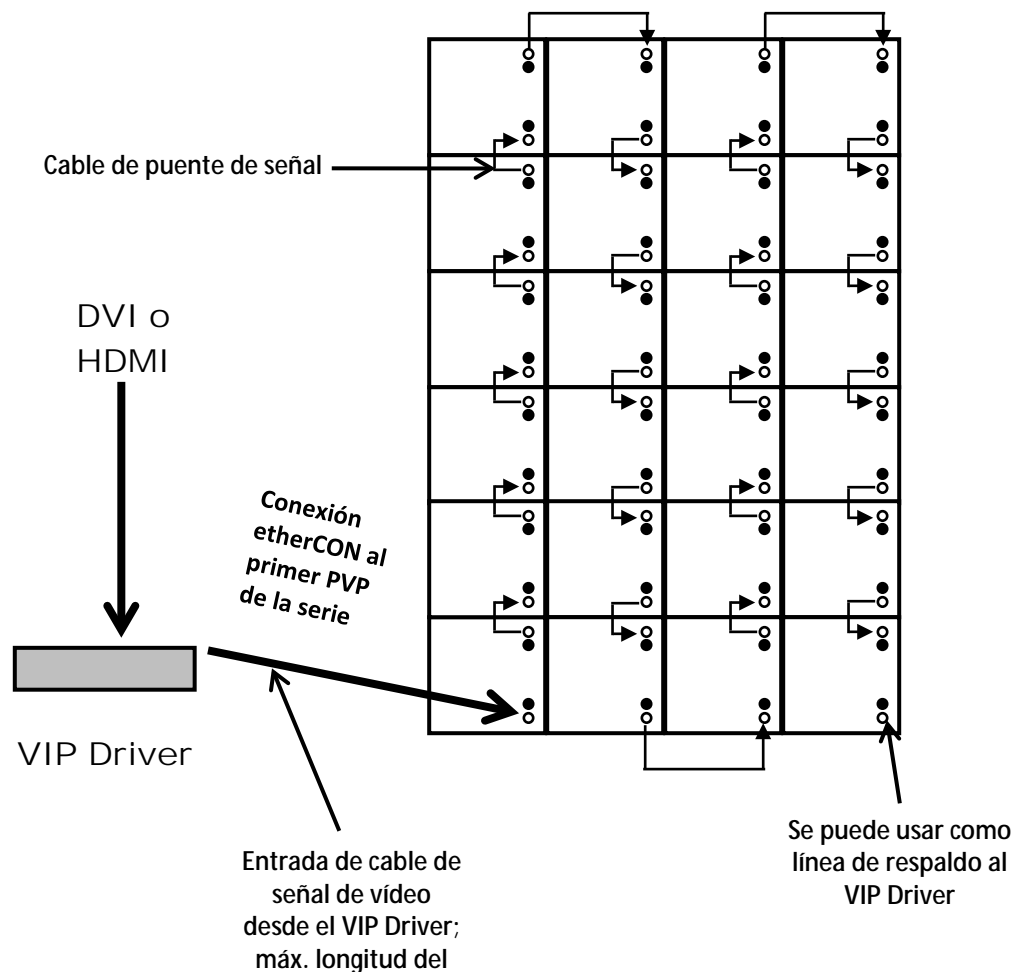
Conectar la señal entre paneles unidos

Las conexiones entre paneles del cable de señal pueden usar distintas configuraciones. La configuración básica para conectar la señal de un panel al siguiente se explica a continuación:

1. La señal fuente se conecta al primer panel.
2. A continuación, se conecta un cable de señal desde el primer panel.
3. Las conexiones continúan en cascada hasta que todos los paneles estén conectados.
4. La ruta de los cables utilizados para hacer las conexiones de señal puede variar.

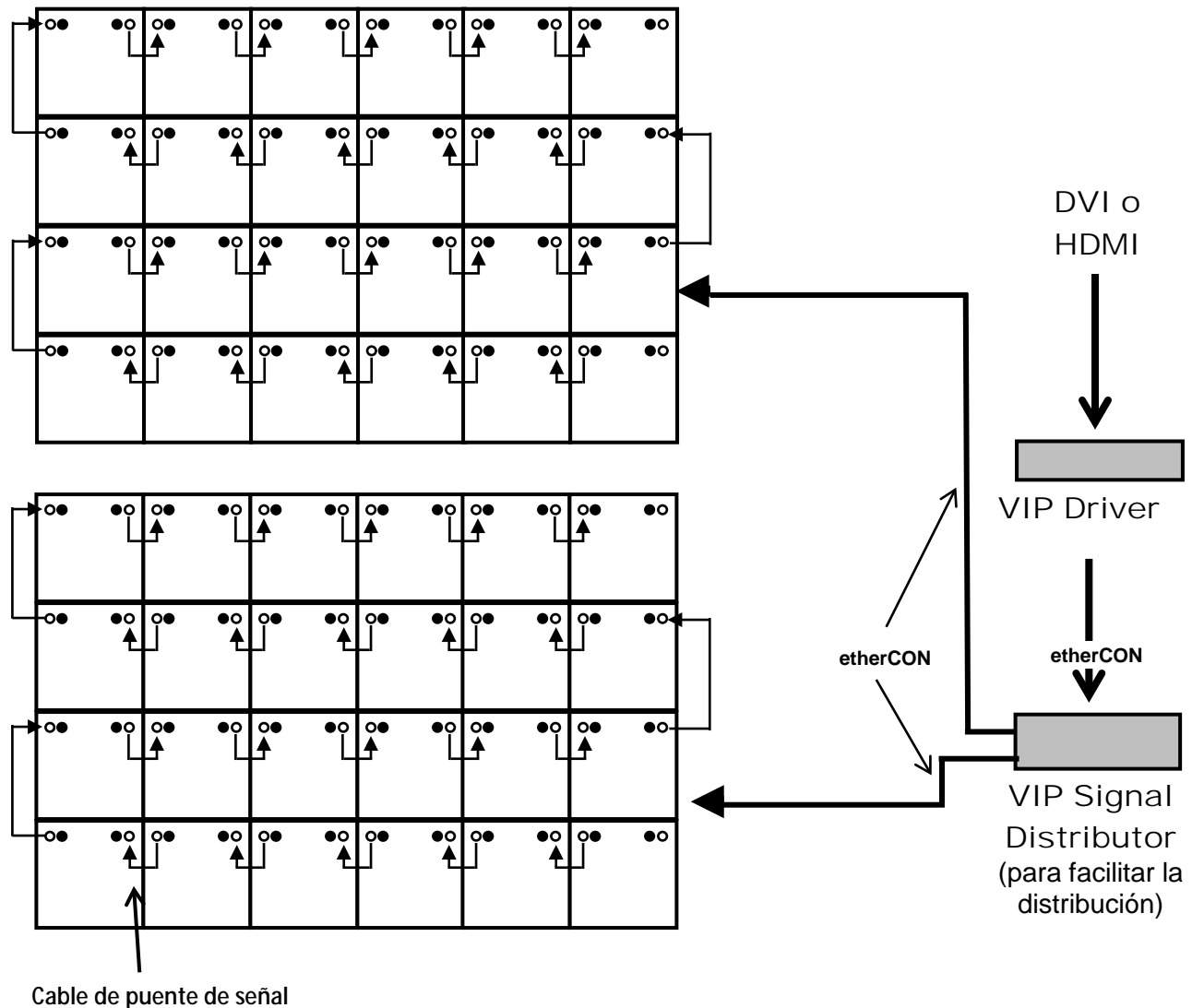
Los siguientes diagramas son sugerencias recomendadas para conexiones de señal entre paneles.

Este diagrama muestra un ejemplo de una conexión de señal simple.



Este diagrama muestra un ejemplo de una configuración de conexión de señal más grande. Este ejemplo de mural de vídeo utiliza:

- Conexión de señal entrante al VIP Driver.
- Conexión del VIP Driver al distribuidor de señal VIP.
- Conectores de cable de señal según el número de paneles del diseño del mural de vídeo y la disposición deseada, para facilitar la instalación.



En esta configuración, la conexión de respaldo desde el Driver se puede conectar al último panel en cualquier grupo de paneles o a cualquier conexión libre hacia el distribuidor de señal VIP, incluyendo la entrada "B".

Conectar (cablear) los PVP

Conectar la alimentación entre paneles unidos

Las conexiones de alimentación entre paneles pueden usar también distintas configuraciones. La configuración básica para conectar la fuente de alimentación principal de un panel a otro es:

1. La alimentación principal se conecta a la entrada o salida de alimentación del primer panel.
2. Luego se conecta un cable powerCON a la salida de alimentación del primer panel y a la entrada de alimentación del siguiente panel.
3. Las conexiones continúan hasta que todos los paneles estén conectados.

Conecte la alimentación entre paneles siguiendo el mismo procedimiento que para la señal, pero utilizando los conectores de entrada de alimentación y salida de alimentación. Debe respetar las especificaciones de alimentación en cadena de cada modelo PVP X3.

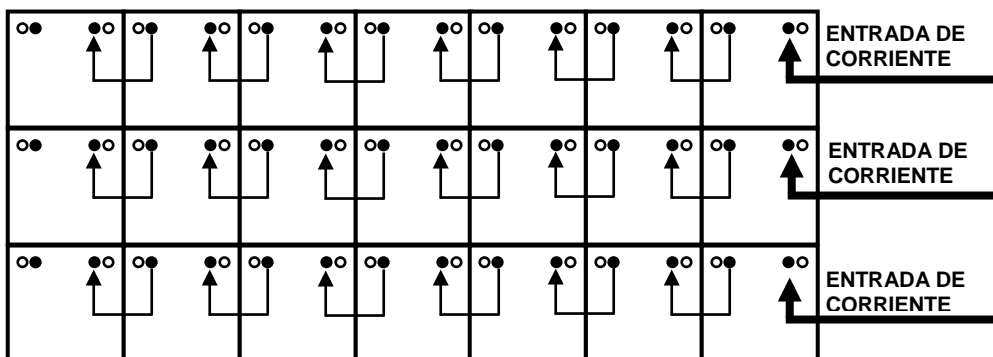
Consulte el apartado [Alimentación en cadena](#) para ver los detalles sobre el número de paneles que se pueden enlazar en función de la tensión desde una sola conexión de alimentación.



¡Enlazar en cadena la alimentación de más paneles de los recomendados anulará su garantía y aumentará el riesgo de electrocución o incendio!

Consulte el diagrama siguiente para ver un ejemplo de conexión de alimentación desde la toma de corriente hasta cada panel conectado.

Este ejemplo utiliza un PVP X3, enlazando en cadena la alimentación de 7 paneles horizontalmente a 120 V.



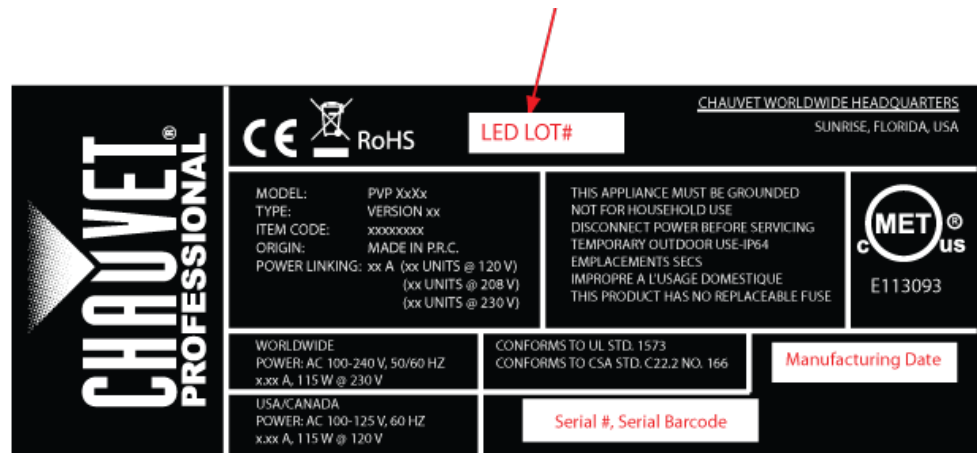
7. Cuidados y sustitución del módulo LED

Módulo LED del PVP X3

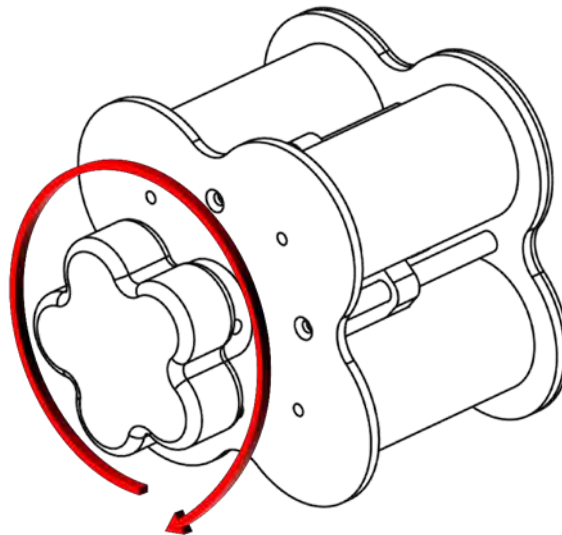
Cada PVP X3 tiene 4 módulos LED conectados al marco del panel por medio de tornillos manuales y de imanes. Cada módulo tiene 2 cables, de datos y de alimentación, que conectan con la unidad de proceso principal.

Números de lote LED

Para garantizar un ajuste y emisión de color consistentes, sustituya los módulos estropeados o defectuosos con el mismo n.º de lote que los demás del mismo panel. Cuando combine paneles para crear sistemas completos de mural de vídeo (alquileres, instalaciones permanentes, etc.), recomendamos encarecidamente que coincida el N.º de LOTE LED de todos los paneles. El n.º de lote se puede encontrar en la pegatina de especificaciones situada en la parte posterior de cada panel.



Utilizar MT-01

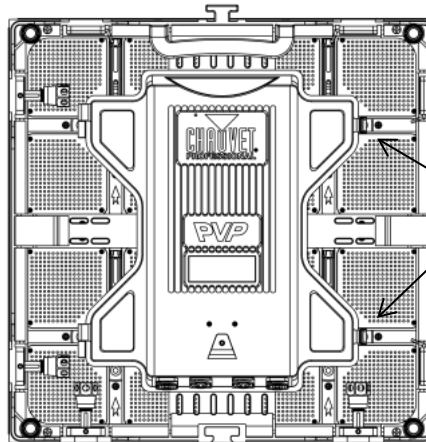


El MT-01 es un imán especialmente diseñado para quitar y sustituir con cuidado el módulo LED del PVP X3. Antes de utilizar esta herramienta, asegúrese de que el imán está completamente hacia abajo, en la posición de inicio, girando el mando en sentido horario. Si no coloca el imán en la posición de inicio, es posible que se dañe el módulo.



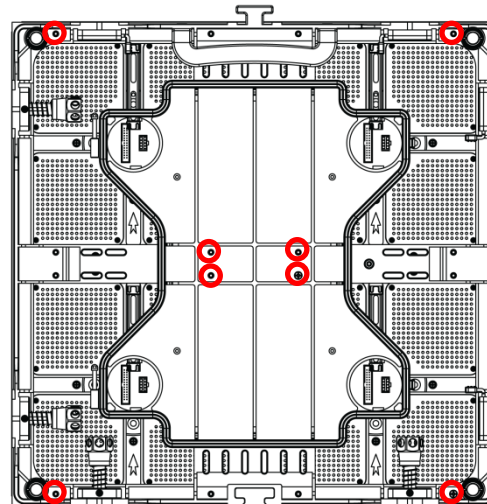
¡Si no coloca el imán en la posición de inicio, es posible que se dañe el módulo!

Quitar el módulo LED
del PVP X3 con
MT-01

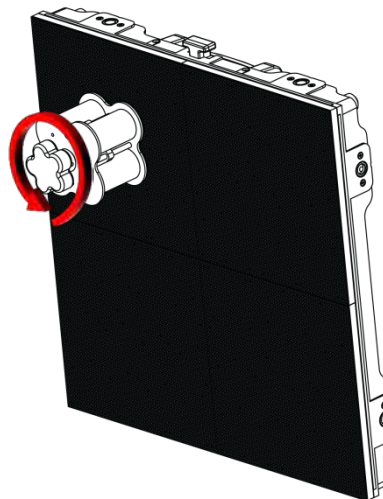


Cierres de acceso de servicio

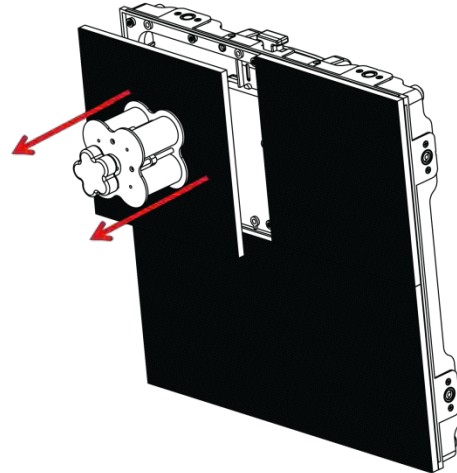
1. Oriente el producto en una mesa plana como se indica.
2. Quite el cierre y abra la puerta de acceso de servicio



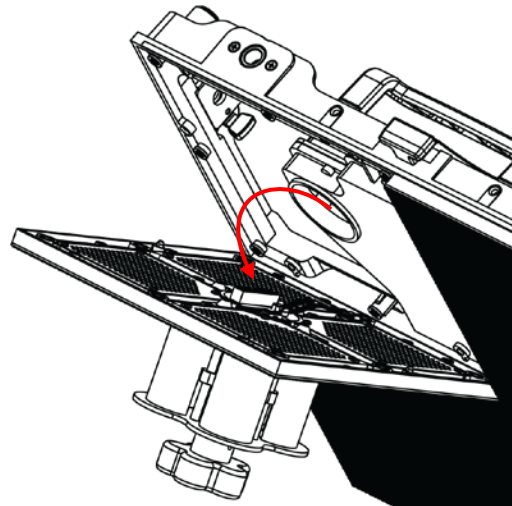
3. Afloje los dos tornillos manuales sujetando el módulo al marco.



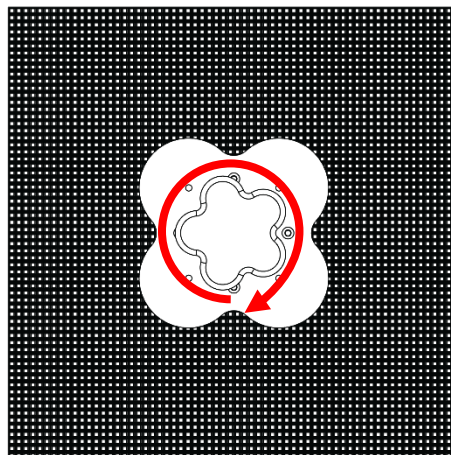
4. Con cuidado, acople el MT-01 al frontal del módulo que vaya a quitar. Gire el mando en sentido antihorario hasta que el módulo quede separado 1 mm del imán.



5. Aumentando la fuerza de forma constante, y tan recto como le sea posible, tire hacia atrás del MT-01 hasta que se haya soltado el módulo del marco.

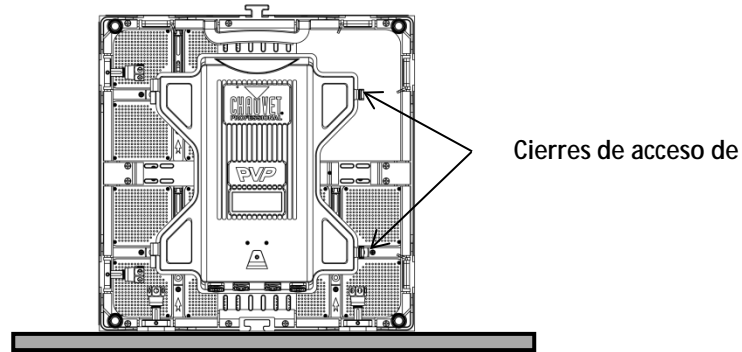


6. Desenchufe las 2 conexiones Molex de la parte posterior del módulo.

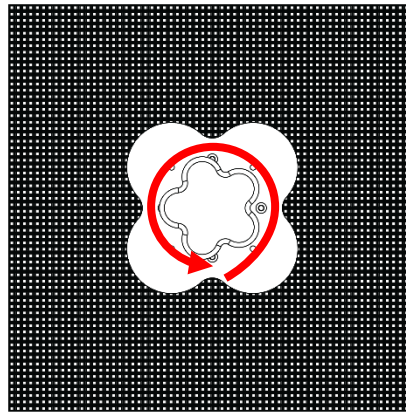


7. Libere el módulo girando el MT-01 en sentido horario.

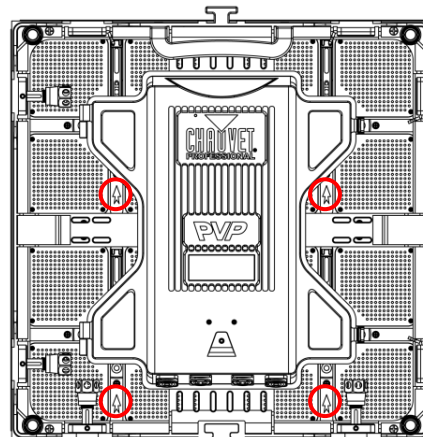
Instalar el módulo LED del PVP X3 con MT-01



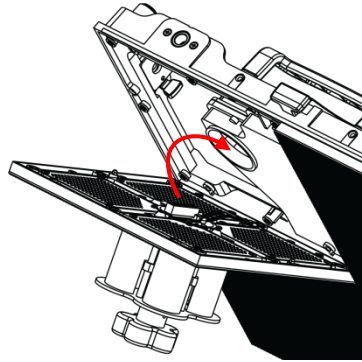
1. Oriente el producto en una mesa plana como se indica.
2. Quite el cierre y abra la puerta de acceso de servicio



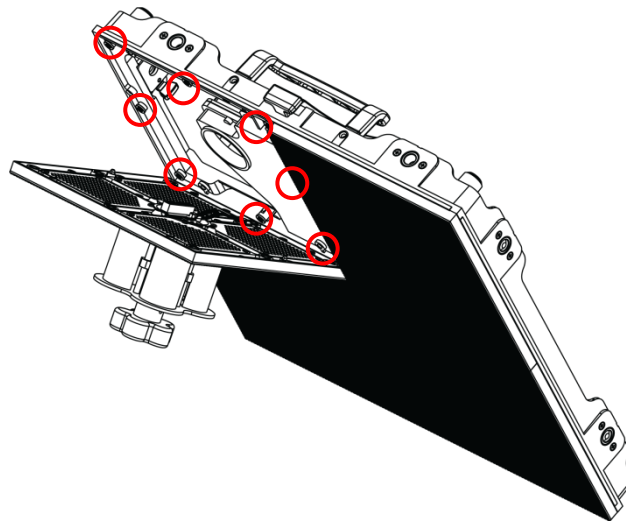
3. Coloque el nuevo módulo PVP X3 sobre una superficie plana.
4. Con el MT-01 en su posición de inicio, coloque suavemente el MT-01 en la parte superior del módulo nuevo.
5. Gire el mando en sentido antihorario hasta que los imanes queden separados 1 mm de la superficie.



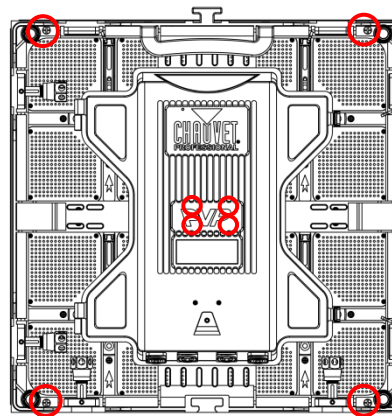
6. Oriente el módulo de forma que la flecha de la parte posterior apunte hacia arriba.



7. Desde la parte frontal del panel, acople las dos conexiones Molex desde el panel hasta el módulo.



8. Utilizando los materiales del módulo, acople con cuidado el módulo al panel.



9. Localice y apriete los tornillos manuales para sujetar el módulo en su sitio.
10. Quite el MT-01 girando el mando en sentido horario hasta la posición de inicio y tirando de él hacia afuera.

8. Instalación típica del PVP X3

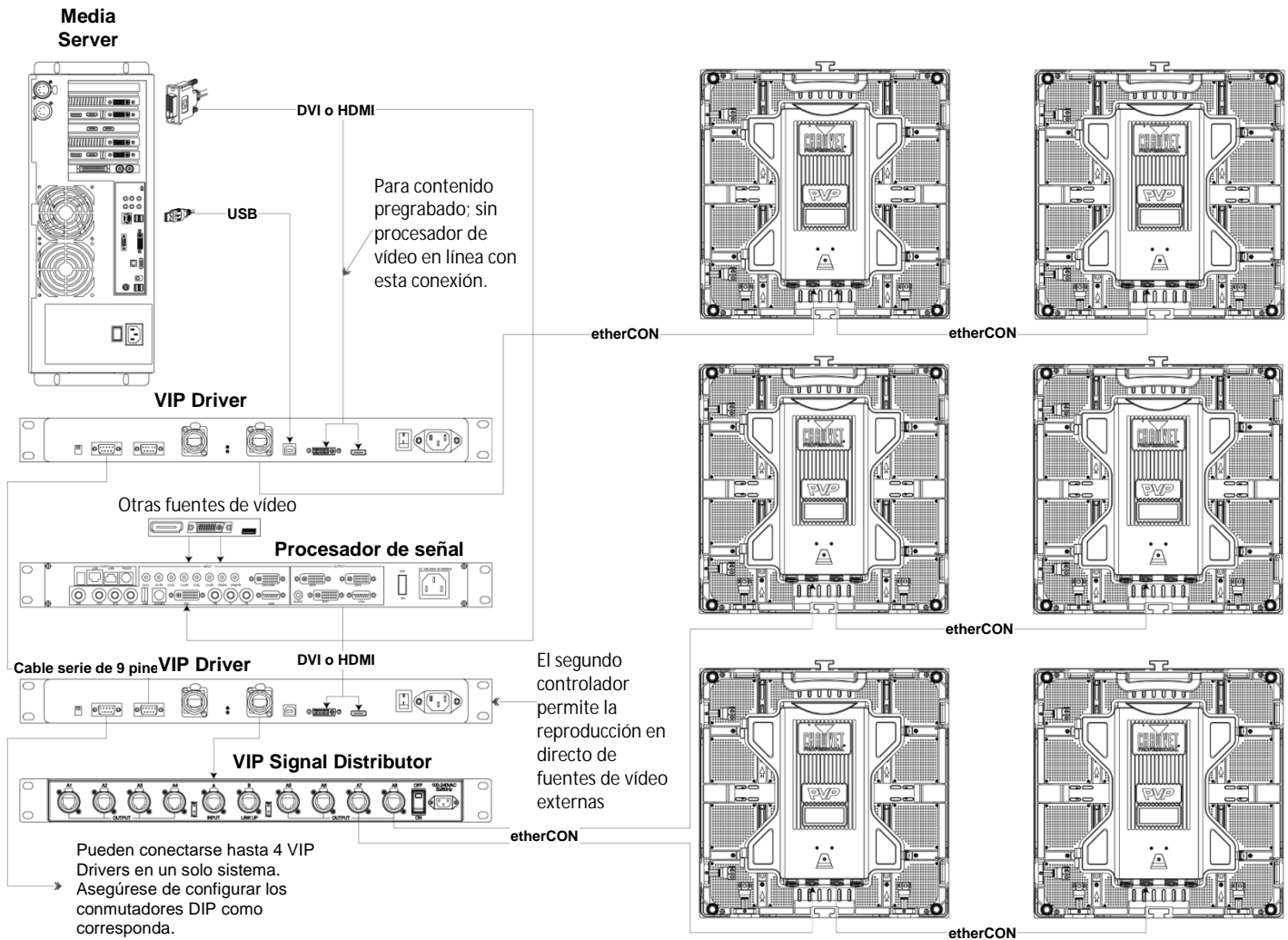
Puesto que un sistema de mural de vídeo puede estar formado por distintos componentes para conseguir un diseño modular de simple a complejo, siga los pasos siguientes como regla general para empezar.

- Paso 1* Abra y examine la maleta de transporte del PVP X3 para asegurarse de que ha recibido todos los productos y accesorios y que todos se encuentran en buen estado.
- Paso 2* Enciéndalo y ejecute la autocomprobación en todos los PVP X3 para asegurarse de que funcionan todos los LED y conexiones internas de cada panel (opcional).
- Paso 3* Prepare una superficie de montaje estable (como un truss u otra superficie estable) para el montaje del PVP X3.
- Paso 4* Monte la primera fila de PVP X3. Consulte el apartado [Montaje](#) de este Manual de usuario.
- Paso 5* Ajuste el alineamiento de la primera fila usando los conectores speego.
- Paso 6* Conecte la fuente de señal al VIP Driver. Conecte el VIP Driver al distribuidor de señal VIP (si procede).
- Paso 7* Conecte el VIP Driver o el distribuidor de señal VIP (si lo usa) a la toma de señal de entrada del primer panel en su cadena de conexión.
- Paso 8* En función de la configuración (diseño) de su mural de vídeo, una todos los paneles, en horizontal o en vertical, siguiendo las instrucciones del apartado [Unir los PVP X3 \(crear un diseño modular\)](#).
- Consulte las instrucciones e información en el apartado [Conectar \(cablear\) los PVP X3](#) de este Manual de usuario.

Configuración de muestra de sistema de mural de vídeo VIP

El siguiente diagrama proporciona una configuración de muestra para un sistema de mural de vídeo Chauvet VIP. La instalación del sistema incluye un procesador de señal opcional para fuentes de vídeo adicionales, y el distribuidor de señal VIP para admitir más paneles. Téngase en cuenta que la configuración con dos controladores (drivers) que se muestra aquí permite la reproducción simultánea de contenido en directo y pregrabado, todo administrado desde un solo PC.

Consulte el Manual de usuario del procesador de señal y la Guía de referencia rápida del distribuidor de señal VIP para obtener información sobre estos componentes del mural de vídeo.



9. Funcionamiento

Hardware y software adicional

Además de los paneles, se necesita otro software y hardware para diseñar, construir y manejar su sistema de mural de vídeo VIP. La siguiente tabla resume estos elementos adicionales. Algunos son necesarios y otros opcionales.

Elemento	Descripción	Código de artículo
VIP Driver	Interfaz entre la fuente de señal, LED Studio y PVP X3 utilizado	99090575
LED Studio	Aplicación de software utilizada para diseñar y hacer funcionar los PVP que componen el mural de vídeo. Se necesita un PC.	
VIP Signal Distributor (opcional)	Se conecta entre el VIP Driver y los PVP para distribuir la señal fuente desde el VIP Driver al mural de vídeo	99090576
Barra de aparejamiento Serie X PVP (opcional)	Proporciona el material necesario para montar la Serie X PVP	06090926
Prolongador de señal Neutrik etherCON (opcional)	Cable de extensión Neutrik etherCON; 18 in. Cable de extensión Neutrik etherCON; 5 ft Cable de extensión Neutrik etherCON; 10 ft	19090363 19090364 19090365
Prolongador Neutrik powerCON (opcional)	Extensión Neutrik powerCON, 18 in Extensión Neutrik powerCON, 5 ft Extensión Neutrik powerCON, 10 ft Extensión Neutrik powerCON, 25 ft Extensión Neutrik powerCON, 50 ft	19110372 19110373 19110374 19110375 19110376
VIP Media System y un VIP Driver	Sistema de ordenador de vídeo que se puede montar en rack con el VIP Driver y el software LED Studio	
VIP Media System con ArKaos MediaMaster Express + KN y un VIP Driver	Sistema de ordenador de vídeo que se puede montar en rack con el VIP Driver y el software LED Studio, así como con ArKaos MediaMaster Express	
ArKaos MediaMaster Express + KN	Software de reproducción de vídeo + control KN	

Acerca de CHAUVET LED Studio

CHAUVET LED Studio es una aplicación de software potente y de fácil aprendizaje que se utiliza para diseñar y administrar el sistema de mural de vídeo VIP. A continuación proporcionamos una información a modo de introducción sobre el software.

Consulte el Manual de usuario de CHAUVET LED Studio para obtener información e instrucciones para instalar y utilizar CHAUVET LED Studio con su sistema de mural de vídeo Chauvet VIP.

Descripción

CHAUVET LED Studio le brinda la posibilidad de crear y controlar su mural de vídeo asignando direcciones a los paneles de su mural de vídeo, incluyendo tamaño de píxel y disposición.

Una vez creado físicamente su diseño modular de mural de vídeo mediante la unión de los paneles, la conexión de alimentación, señales y el VIP Media System, se puede recrear el diseño dentro de LED Studio.

Dispone de información detallada e instrucciones en el Manual de usuario de CHAUVET LED Studio.



Chauvet no recomienda usar CHAUVET LED Studio para la reproducción de un espectáculo en directo. Para este propósito, Chauvet le ofrece Arkaos MediaMaster, que dispone de numerosos activadores de reproducción, como DMX, Art-Net, MA.net, MIDI y QWERTY.

10. Información técnica

Mantenimiento del PVP X3

Para mantener un rendimiento óptimo y minimizar el desgaste, el usuario debe limpiar este producto regularmente. El uso y el entorno pueden influir para determinar la frecuencia de las limpiezas.

Como norma general, limpie este producto al menos dos veces al mes. El polvo acumulado reduce el rendimiento de la salida de luz y puede provocar sobrecalentamiento. Esto puede conducir a una reducción de la vida de la fuente de luz e incrementar el desgaste mecánico.

Para limpiar un PVP X3, siga las instrucciones siguientes:

1. Desenchufe el panel de la alimentación.
2. Espere a que el producto esté a temperatura ambiente.
3. Use un cepillo suave para quitar el polvo depositado en los componentes externos.
4. Frote el exterior de los módulos LED con un paño suave que no deje pelusa empapado en una solución de agua y detergente. Aplique solamente una ligera presión.
5. Asegúrese de que todas las conexiones están bien secas antes de volver a conectar los cables de alimentación y de señal.



Seque siempre con cuidado las superficies externas después de limpiarlas.

Devoluciones

Debe enviar el producto a portes pagados, en su caja original y con su embalaje y accesorios originales. Chauvet no expedirá etiquetas de devolución.

Llame a Chauvet y pida un número de Autorización de Devolución de la Mercancía (RMA) antes de enviar el producto. Esté preparado para proporcionar el número de modelo, número de serie y una breve descripción de la(s) causa(s) de la devolución.

Etiquete el paquete claramente con un número de RMA. Chauvet rechazará cualquier producto devuelto sin un número de RMA.



NO escriba el número de RMA directamente sobre la caja. En vez de eso, escríbalo en una etiqueta convenientemente adherida.

Una vez que haya recibido el número de RMA, incluya la siguiente información en una hoja de papel dentro de la caja:

- Su nombre
- Su dirección
- Su número de teléfono
- El número de RMA
- Una breve descripción de los problemas

Asegúrese de que empaqueta el producto adecuadamente. Cualquier daño en el transporte que resulte de un empaquetado inadecuado será responsabilidad del cliente. Se recomienda empaquetado FedEx o de doble caja.



Chauvet se reserva el derecho de usar su propio criterio para reparar o reemplazar productos devueltos.

11. Especificaciones técnicas

	PVP X3	PVP X6IP
Fuente de luz	LED tricolor SMD 2121	LED tricolor SMD 2623
Píxeles por panel	128 x 128 (16.384 total)	72 x 72 (5.184 total)
Tamaño de píxel (entre LED)	3,9 mm	6,9 mm
Densidad de píxel	65.536/m ²	20.736/m ²
Tasa de refresco de la pantalla	1.500 Hz; 2.400 Hz disponibles	1.920 Hz; 3.120 Hz disponibles
Ángulo de visión	130°	130°
Iluminancia	2.100 Nits	5.600 Nits
Longitud de onda rojo	625 nm	625 nm
Longitud de onda verde	525 nm	525 nm
Longitud de onda azul	470 nm	470 nm
Tipo de fuente de alimentación	Conmutación	Conmutación
Rango de tensión CA	100–240 VCA, 50/60 Hz	100–240 VCA, 50/60 Hz
Selección de tensión	Detección automática (autorango)	Detección automática (autorango)
Consumo de energía, 120 V, 60 Hz	115 W; 0,96 A	160 W; 1,33 A
Consumo de energía, 208 V, 60 Hz	115 W; 0,55 A	160 W; 0,77 A
Consumo de energía, 230 V, 50 Hz	115 W; 0,50 A	160 W; 0,70 A
Alimentación en cadena a 120 V, 60 Hz	20 unidades	17 unidades
Alimentación en cadena a 208 V, 60 Hz	35 unidades	28 unidades
Alimentación en cadena a 230 V, 50 Hz	37 unidades	29 unidades
Dimensiones	19,7 x 3,5 x 20,35 in (500 x 89 x 517 mm)	19,7 x 3,27 x 20,35 in (500 x 83 x 517 mm)
Peso	20,6 lb (9,34 kg)	21,2 lb (9,62 kg)
Transparencia	0%	8%
Material de la carcasa	Aleación de aluminio	Aleación de aluminio
Conexión de alimentación	Neutrik powerCON	Neutrik powerCON
Conexión de datos	Neutrik etherCON	Neutrik etherCON

Contacto

OFICINA CENTRAL - Chauvet

Información general

Dirección: 5200 NW 108th Avenue
Sunrise, FL 33351

Voz: (954) 577-4455

Fax: (954) 929-5560

Número gratuito: (800) 762-1084

Servicio Técnico

Voz: (954) 577-4455 (Marque 4)

Fax: (954) 756-8015

Email: tech@chauvetlighting.com

World Wide Web

www.chauvetlighting.com

REINO UNIDO E IRLANDA - Chauvet Europe Ltd.

Información general

Dirección: Unit 1C
Brookhill Road Industrial Estate
Pinxton, Nottingham, UK
NG16 6NT

Voz: +44 (0)1773 511115

Fax: +44 (0)1773 511110

Servicio Técnico

Email: uktech@chauvetlighting.com

World Wide Web

www.chauvetlighting.co.uk

MÉXICO - Chauvet México

Información general

Dirección: Av. Santa Ana 30
Parque Industrial Lerma
Lerma, México C.P. 52000

Voz: +52 (728) 285-5000

Servicio Técnico

Email: servicio@chauvet.com.mx

World Wide Web

www.chauvet.com.mx

CHAUVET EUROPA - Chauvet Europe BVBA

Información general

Dirección: Stokstraat 18
9770 Kruishoutem
Bélgica

Voz: +32 9 388 93 97

Servicio Técnico

Email: Eutech@chauvetlighting.eu

World Wide Web

www.chauvetlighting.eu

Fuera de EE. UU., Reino Unido, Irlanda, México o Benelux, póngase en contacto con su proveedor. Siga sus instrucciones para pedir soporte o para devolver un producto. Visite www.chauvetlighting.com para detalles de contacto.



Notes d'édition

Ce manuel d'utilisation comporte la description, les mesures de précautions, la configuration, l'installation, l'utilisation et la maintenance pour tous les panneaux vidéo Precision proposés par Chauvet. Cette édition a été publiée en **mars** 2016.

Marques

Chauvet est une marque déposée de Chauvet & Sons Inc. (d/b/a CHAUVET ou Chauvet). Le logo CHAUVET dans son intégralité, y compris le nom Chauvet et le triangle en pointillé, ainsi que toutes les autres marques de ce manuel se rapportant à des services, des produits ou des déclarations de commercialisation sont la propriété ou sont sous licence de Chauvet. Tous les autres noms de produits, logos, marques, noms de société et autres marques figurant ou mentionnées dans ce document sont la propriété de leurs détenteurs respectifs.

Avis de copyright

Chauvet possède le contenu de ce manuel d'utilisation dans son intégralité, y compris, mais sans s'y limiter, les photos, les logos, les marques et les ressources.

© **Copyright 2016 Chauvet. Tous droits réservés.**

Publié électroniquement par Chauvet aux États-Unis.

Manuel d'utilisation

Chauvet autorise ses clients à télécharger et à imprimer ce manuel uniquement à des fins d'information professionnelle. Chauvet interdit expressément l'utilisation, la copie, le stockage, la distribution, la modification ou l'impression de ce manuel ou de son contenu à d'autres fins sans son consentement écrit.

Impression du document

Pour obtenir les meilleurs résultats, imprimez ce document en couleur, sur du papier au format lettre (8,5 x 11 pouces), recto-verso. Si vous utilisez du papier A4 (210 x 297 mm), configurez votre imprimante afin que le contenu soit correctement mis à l'échelle.

Clause de non Responsabilité

Chauvet estime que les informations contenues dans ce manuel sont exactes à tous les égards. Cependant, Chauvet n'assume aucune responsabilité pour toute erreur ou omission dans le présent document. Chauvet se réserve le droit de réviser ce document et d'y apporter des modifications de contenu de temps à autre sans obligation d'avertir quelque personne ou société que ce soit de l'existence d'une révision ou de modifications. Pour autant, cela ne représente en aucune façon un engagement de la part de Chauvet d'effectuer de tels changements. Chauvet peut publier une révision ou une nouvelle édition de ce manuel pour intégrer ces changements.

Révision du document

La révision 5 du manuel d'utilisation du PVP X3 est la première édition de ce manuel. Veuillez consulter le site internet www.chauvetprofessional.com pour la dernière version.

Auteur	Date	Éditeur	Date
D. Coupe	28/10/15	A. Leon	11/8/15

1. Avant de commencer

- Contenu**
- PVP X3
 - Un seul appareil ou un pack de 8 avec mallette de transport
 - câble d'alimentation Neutrik powerCON
 - câbles de chaînage électrique Neutrik powerCON
 - Uniquement fournis avec le pack de 8
 - câbles de chaînage de signal Neutrik etherCON
 - 1 ou 8 câbles selon le nombre de PVP X3 inclus
 - 1 valise de transport
 - Uniquement fournis avec le pack de 8
 - Fiche de garantie
 - Manuel d'utilisation

Instructions de déballage

Dès la réception, veuillez ouvrir et vérifier avec soin l'emballage. Assurez-vous que vous avez reçu tous les éléments indiqués plus haut et qu'ils sont en bon état.

Réclamations




A la réception, si l'emballage ou le contenu (l'appareil et les accessoires livrés avec) semble avoir été endommagé pendant le transport, ou s'il présente des signes de manipulation sans précaution, veuillez en notifier immédiatement le transporteur et non pas Chauvet. Ne pas enregistrer votre réclamation auprès du transporteur en temps et en heure peut entraîner une invalidation de celle-ci. Gardez l'emballage et tous les matériaux d'emballage pour inspection.

Pour tout autre problème comme des pièces ou composants non livrés, des dommages indépendants de la livraison ou des vices cachés, veuillez déposer votre réclamation auprès de Chauvet dans les 7 jours suivant la réception de la marchandise.

Conventions manuelles

Convention	Signification
1-512	Une plage de valeur dans le texte
50/60	Un ensemble de valeur mutuellement exclusives dans le texte
<SET>	Un bouton sur le panneau de commande de l'appareil
Paramètres	Une fonction de l'appareil ou une option de menu
MENU>Paramètres	Une séquence d'options de menu
1-10	Une plage de valeur de menu parmi lesquels choisir au sein d'un menu
Oui/Non	Un ensemble de deux options de menu mutuellement exclusives dans un menu
ON	Une valeur unique à saisir ou à sélectionner dans un menu

Symboles

Symboles	Signification
	Consignes importantes en matière d'installation, de configuration et de fonctionnement. Le non-respect de ces consignes peut entraîner le non fonctionnement de l'appareil, des dommages à des équipements tiers ou à l'opérateur.
	Consignes importantes en matière d'installation ou de configuration. Le non respect de ces consignes peut empêcher le bon fonctionnement de l'appareil.
	Information utile.

Consignes de Sécurité

Veillez lire attentivement les consignes de sécurité qui suivent avant de commencer à travailler avec l'appareil. Ces consignes fournissent des informations de sécurité importantes sur l'installation, l'utilisation et la maintenance.



- **Cet appareil ne contient aucune pièce réparable par l'utilisateur. Toute référence à des réparations dans ce manuel d'utilisation ne s'applique qu'à des techniciens Chauvet certifiés ayant reçu une formation adéquate. Ne pas ouvrir le boîtier ou essayer d'effectuer des réparations.**
- **En cas d'utilisation mobile ou en tournée, le VIP Media System doit être placé dans une valise de transport résistante aux chocs ou avec un support amortisseur. Cela permet d'éviter de causer des dommages aux disques durs.**



Veillez vous référer à l'ensemble des codes et règlements locaux en vigueur pour une installation correcte de l'appareil.

- Toujours connecter l'appareil à un circuit à la terre pour éviter les risques d'électrocution.
- L'appareil est conforme à la norme IP43 et doit uniquement être utilisé dans les environnements qui répondent à ce critère.
- En cas de suspension de l'appareil, veillez à toujours le fixer à un dispositif d'attache à l'aide d'un câble de sécurité.
- La température ambiante maximale est de 50 °C (122 °F). Ne faites pas fonctionner l'appareil à des températures plus élevées.
- **ATTENTION** : Lorsque l'appareil est transféré d'un environnement à température extrême à un autre (par exemple d'un camion froid vers une salle de bal chaude et humide), de la condensation peut se former sur les composants électriques internes. Pour éviter de causer des dommages, laissez l'appareil s'acclimater entièrement au milieu environnant avant de le mettre sous tension.
- Ne pas utiliser l'appareil si vous constatez que le boîtier, les modules LED ou les câbles ont subi des dommages. Dans tous les cas, les parties endommagées doivent être immédiatement remplacées par un technicien agréé.
- N'essayez jamais d'ouvrir ou de modifier l'appareil vous-même.
- Durant les périodes de non-utilisation, pour éviter tout usure inutile et pour prolonger la durée de vie, déconnectez entièrement l'appareil en le débranchant de l'alimentation électrique ou en coupant le disjoncteur.
- Assurez-vous que l'appareil soit connecté à la tension adéquate mentionnée dans les spécifications de ce manuel et/ou sur l'autocollant de l'appareil.
- N'essayez jamais de réparer l'appareil vous-même. Toute réparation effectuée par une personne non qualifiée peut entraîner des dommages ou un fonctionnement erratique de l'appareil. Veuillez contacter le support technique de Chauvet.



- Les dommages causés par les modifications manuelles ne sont pas couverts par la garantie. Chauvet n'accepte aucune responsabilité pour tout dommage causé par des modifications non autorisées ou ne respectant pas les consignes de sécurité et les instructions de ce manuel.
- **NE PAS installer cet appareil en extérieur ! Ces panneaux ne laissent pas traverser le vent et agissent comme des voiles.**



Dans le cas peu probable que votre appareil Chauvet nécessite d'être réparé, veuillez contacter le support technique de Chauvet.

Durée de vie des LEDs

La luminosité des LEDs décline au fil du temps, principalement à cause de la chaleur. Lorsqu'elles sont regroupées en clusters, les LEDs subissent une température de fonctionnement plus élevée que dans des conditions idéales d'utilisation individuelle. Pour cette raison, l'utilisation de LEDs en clusters à leur intensité maximale réduit leur durée de vie de manière significative. La conception électrique de gestion de la température des panneaux PVP X3 est pensée pour optimiser la durée de vie des LED au maximum. Dans des conditions normales d'utilisation, cette durée de vie peut aller jusqu'à 50 000 heures et même plus. S'il est primordial d'augmenter cette durée de vie, il est nécessaire de faire baisser la température de fonctionnement en améliorant la ventilation autour de l'appareil et en conservant la température ambiante dans une plage de fonctionnement optimale. En outre, limiter l'intensité globale de la projection peut également aider à prolonger la durée de vie des LEDs.

2. Introduction

Description de l'appareil

Le PVP X3 fait partie de la gamme VIP PVP X series d'appareillage de mur vidéo. Outre le PVP X3, cette gamme comprend également le PVP X6IP.

Chaque modèle est un panneau vidéo composé d'une multitude de LEDs tricolores. Lorsque plusieurs panneaux sont assemblés et connectés (signal et alimentation), l'ensemble de la configuration devient une conception de mur vidéo modulaire.

La construction en aluminium coulé fait du PVP un appareil fiable et solide ainsi que facile à installer et à démonter. Plusieurs panneaux peuvent être assemblés horizontalement ou verticalement et chaque modèle est interchangeable avec les autres. Cette flexibilité offre de nombreuses possibilités de conception modulaire.

Le système de mur vidéo PVP est contrôlé à l'aide d'un PC équipé du logiciel CHAUVET LED Studio. Référez-vous au manuel d'utilisation CHAUVET LED Studio pour obtenir des informations détaillées et des instructions sur l'utilisation du logiciel CHAUVET LED Studio.

Caractéristiques

- Panneau vidéo modulaire avec pas de pixel de 3,9 mm équipé de LEDs SMD 2121.
- Un mécanisme en acier inoxydable est intégré à chaque panneau pour un interverrouillage sécurisé entre les panneaux.
- La construction robuste en aluminium coulé fait de ces panneaux des appareils résistants pour l'industrie du tourisme et de la location.
- Les modules LED magnétiques permettent un remplacement rapide et sans effort aussi bien sur site qu'en atelier.
- Les LEDs tricolores avec corps entièrement noir délivrent ce qui se fait de mieux en terme de contraste et de niveaux de noir.
- La découpe CNC (commande numérique par ordinateur) permet une incroyable précision pour garantir des connexions modulaires sans jointures apparentes.
- Fonctionne avec le contrôleur VIP Driver et le répartiteur de signaux VIP Signal Distributor.
- Pour la fixation des panneaux, utiliser les barres d'attache X-series (RB-X50CM) et (RB-X200CM) ou bien les Inserts M12 filetés situés à l'arrière de chaque panneau.
- VIP Driver (requis)

Appareils supplémentaires

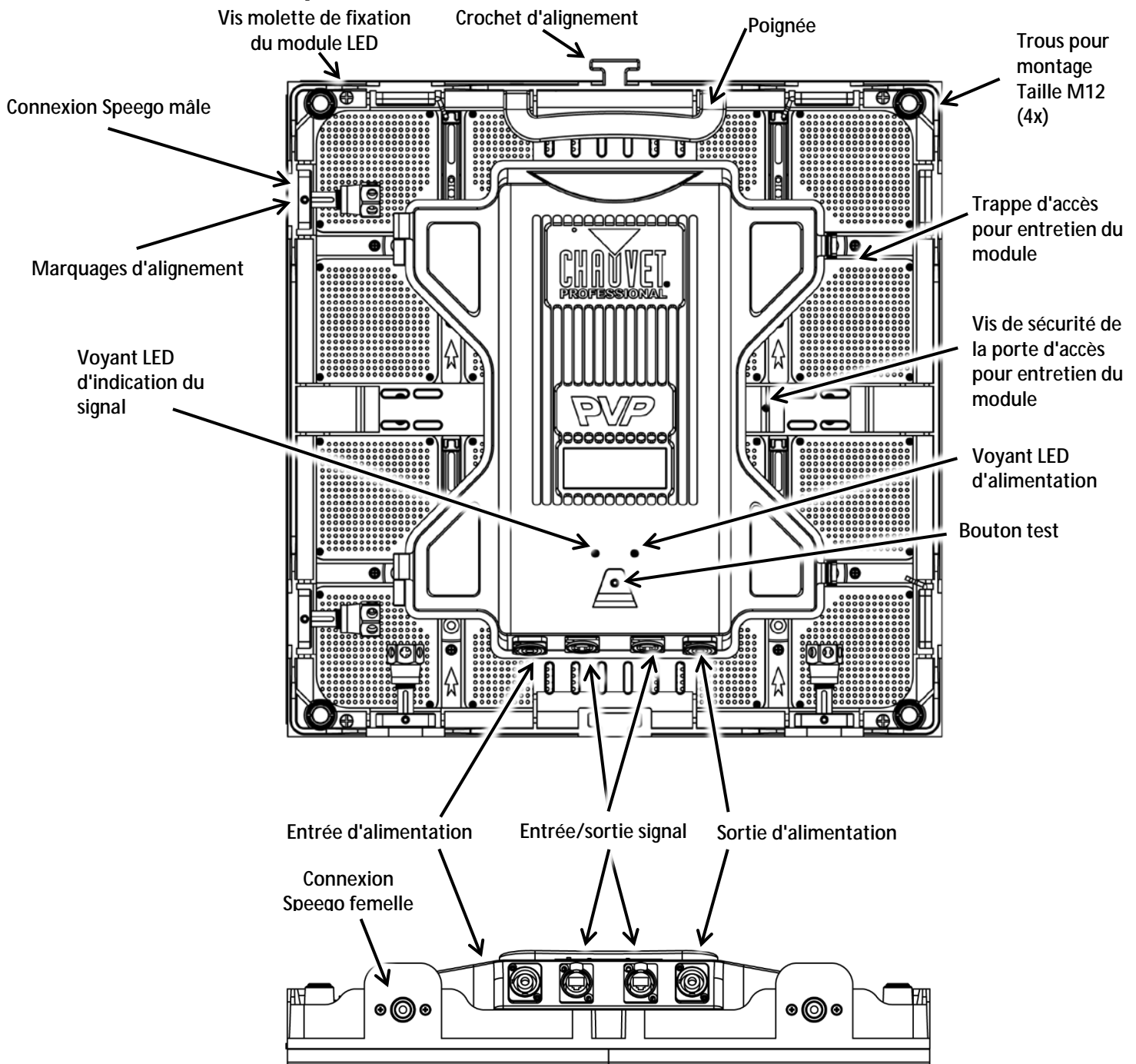
Accessoires optionnels

- VIP Signal Distributor
- Barre d'attache PVP X-series (RB-X50CM) et (RB-X200CM)
- Serveur multimédia VIP Media Server Pro
- Processeur de signal VIP 5162 Signal Processor

Câbles de signal et d'alimentation disponibles (en option)

- Câbles de signal (extensions de signal Neutrik etherCON)
 - ETHERCONEXT5FT
 - ETHERCONEXT10FT
 - ETHERCONEXT25FT
 - ETHERCONEXT50FT
- Câbles d'alimentation (extensions d'alimentation Neutrik powerCON)
 - POWERCONEXT5FT
 - POWERCONEXT10FT
 - POWERCONEXT25FT
 - POWERCONEXT50FT

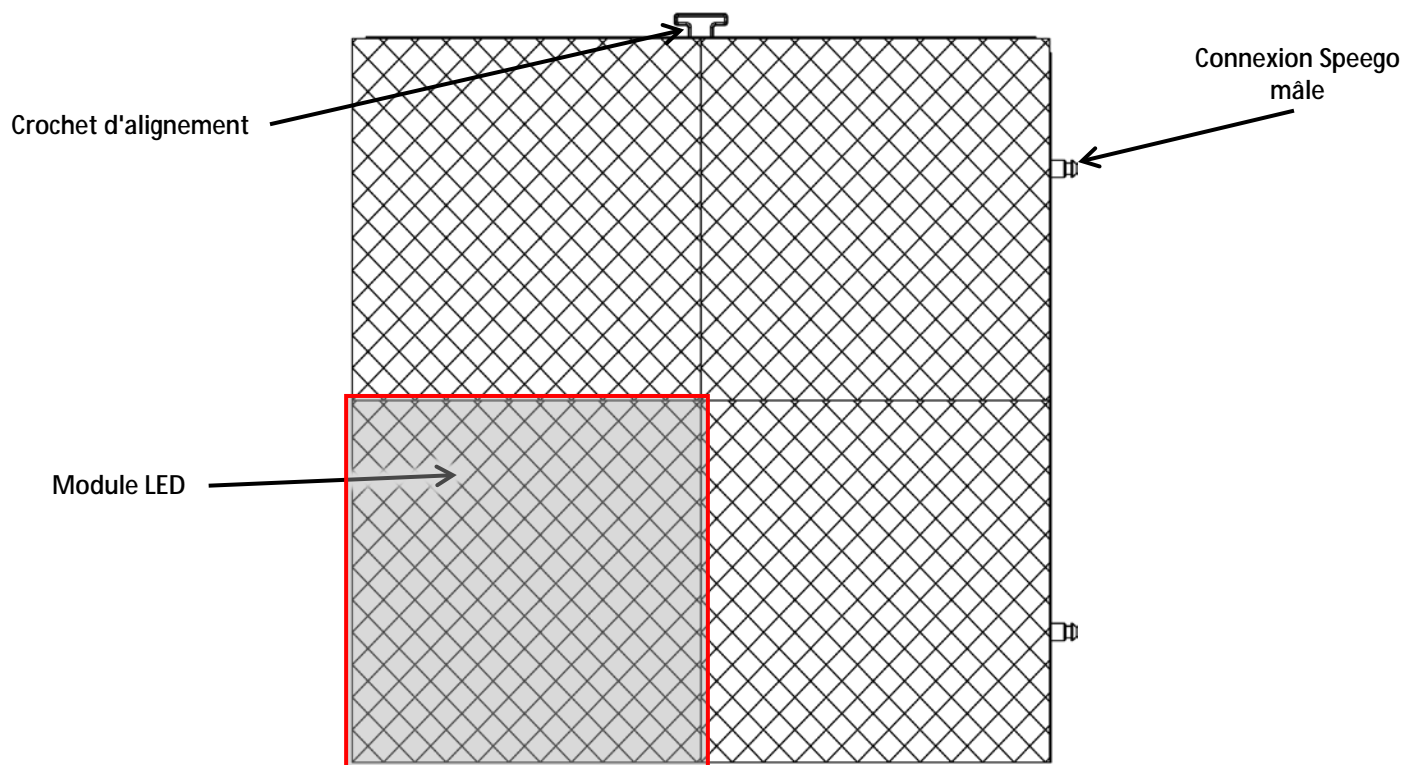
Vue d'ensemble du produit : PVP X3



La différence entre chaque modèle PVP se situe au niveau du pas de pixel entre les LEDs et le nombre de pixels (LEDs) présents sur chaque ligne et chaque colonne. Le boîtier et les composants de base sont identiques.



Attention : La trappe d'accès pour l'entretien ne doit être utilisée que par des techniciens autorisés par Chauvet. Son ouverture peut annuler la garantie Chauvet.



Pixels par panneau PVP

Bien que chaque panneau PVP ait les mêmes dimensions externes, le nombre de pixels LED par panneau varie. Chaque pixel est représenté par une LED tricolore. Le tableau suivant indique le nombre de pixels par panneau pour chaque modèle de PVP. Le numéro de modèle (par ex. X3) indique le pas de pixel en millimètres entre chaque bande de lumière pour ce modèle PVP. Pour des spécifications détaillées, veuillez vous référer au tableau des [spécifications techniques](#) à la fin de ce manuel d'utilisation.

	PVP X3
Pixels par panneau	128 x 128
Nombre total de pixels	16 384
Pixels par module LED	64 x 64
Total de pixels par module LED	4 096
Dimension d'un module LED	250 x 250 mm



Pour calculer le nombre de panneaux, à l'horizontale et en verticale, qui pourront être gérés par un seul contrôleur VIP Driver, vous avez besoin des éléments suivants.

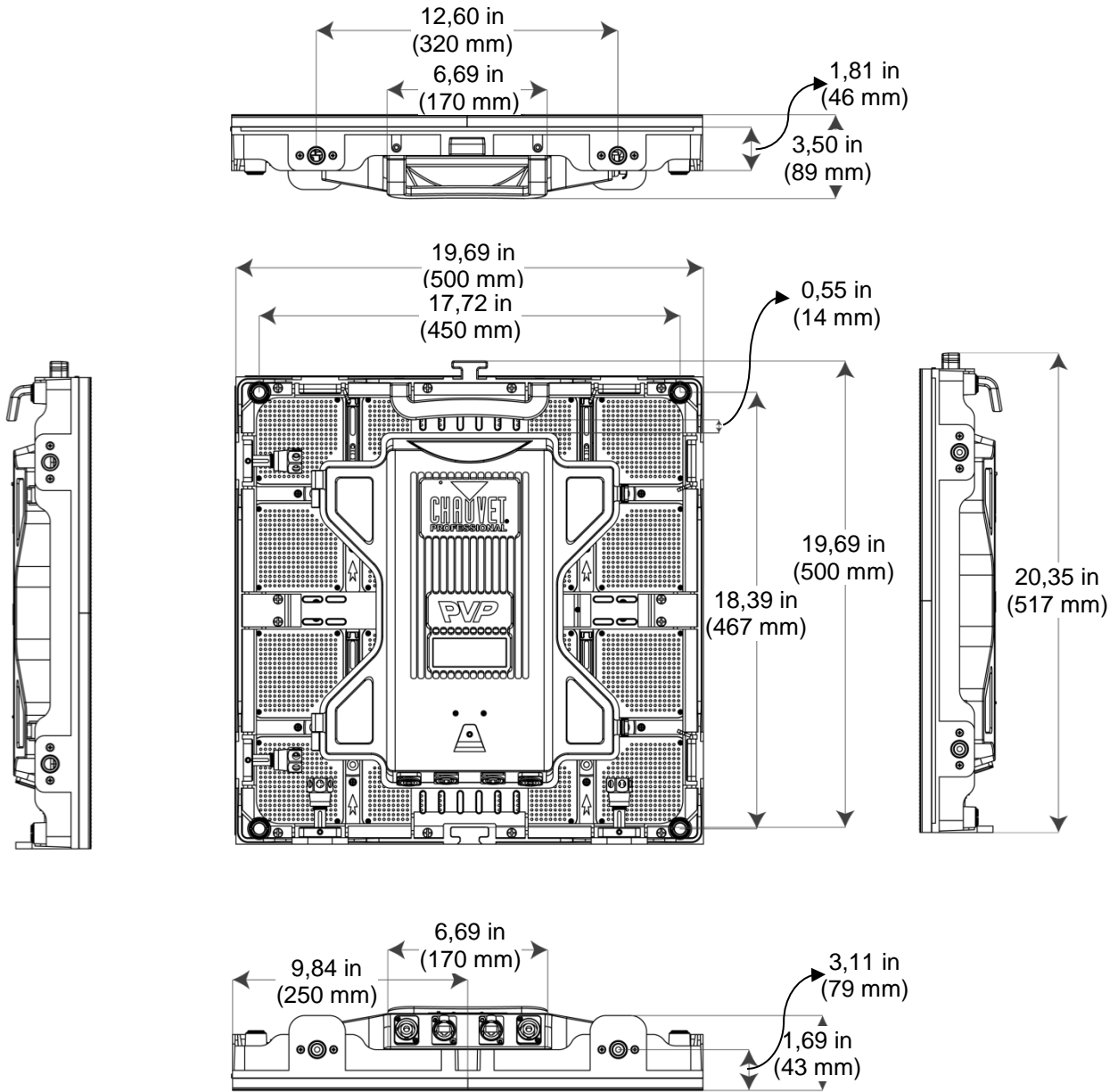
- Le nombre de pixels par panneau.
- La résolution de l'écran que vous souhaitez utiliser pour votre affichage en mur vidéo.

Un contrôleur VIP Driver est nécessaire pour faire fonctionner un système de mur vidéo Chauvet VIP. Vous trouverez plus loin dans ce manuel des schémas indiquant comment les panneaux PVP X3 et le contrôleur VIP Driver interagissent ensemble. Pour des informations détaillées sur le VIP Driver et des exemples de calcul de panneau, veuillez vous référer au Manuel de référence du VIP Driver.

Dimensions de l'appareil



Chaque modèle de PVP de la gamme possède les mêmes dimensions externes de boîtier.



3. Configuration

Alimentation CA Chaque panneau PVP X3 est doté d'une alimentation universelle qui peut prendre en charge n'importe quelle tension d'entrée comprise entre 100 et 240 V CA, 50/60 Hz. Pour connaître les besoins en alimentation de chaque PVP X3, veuillez vous référer à l'étiquette collée sur l'appareil. Vous pouvez également vous référer au tableau des [spécifications techniques](#) de ce manuel.

La capacité nominale affichée indique la consommation maximale de courant pendant le fonctionnement normal. Pour plus d'informations, vous pouvez télécharger le manuel "Sizing Circuit Breakers" (dimensionnement des disjoncteurs) sur le site internet de Chauvet à l'adresse : www.chauvetprofessional.com.



- **Cet appareil doit toujours être relié à un circuit protégé et correctement mis à la terre pour éviter tout risque d'électrocution ou d'incendie.**
- **Durant les périodes de non-utilisation, pour éviter toute usure inutile et pour prolonger la durée de vie, déconnectez entièrement l'appareil en le débranchant de l'alimentation électrique ou en coupant le disjoncteur.**



Ne connectez jamais cet appareil à un rhéostat (résistance variable) ou un circuit voileur, même si vous n'avez l'intention de vous servir du rhéostat ou du canal d'assombrissement que comme interrupteur 0 à 100%.

Prise CA

Chaque PVP X3 est livré avec un câble de chaînage électrique permettant de relier les connexions d'alimentation entre les panneaux, ainsi qu'avec un câble d'entrée d'alimentation.

Ce câble dispose d'un connecteur powerCON qui se branche sur le PVP X3 et une prise Edison pour l'entrée d'alimentation. Utilisez le tableau ci-dessous en tant que référence pour câbler une nouvelle prise.

Connexion	Câble (USA)	Câble (Europe)	Couleur de vis
Phase CA	Noir	Marron	Jaune ou laiton
Neutre CA	Blanc	Bleu	Argent
Terre CA	Vert/Jaune	Vert/Jaune	Vert

Chaînage électrique

Tous les panneaux de la gamme PVP supportent le chaînage électrique. Veuillez vous référer au tableau suivant pour les spécifications de chaque panneau.

	PVP X3
@ 120 V, 60 Hz	20
@ 208 V, 60 Hz	35
@ 230 V, 50 Hz	37



Veuillez vous référer à l'ensemble des codes et règlements locaux en vigueur pour une installation correcte de cet appareil.

4. Montage

Orientation

Chaque PVP X3 est fabriqué en aluminium coulé. Cela garanti la stabilité et la facilité d'installation de chaque panneau. Chaque panneau dispose également d'une poignée intégrée pratique située sur le dessus de la face arrière, ainsi que d'un mamelon d'alignement situé sur le haut. Cette ensemble vous permet de facilement saisir et maintenir en toute sécurité chaque panneau lors de son montage et de son utilisation.

Les PVPs X3 peuvent être assemblés pour former d'innombrables conceptions modulaires. Les panneaux situés sur le dessus peuvent être accrochés en toute sécurité à un treillis ou toute autre surface stable. Toujours veiller à accrocher en laissant suffisamment d'espace pour la ventilation, la configuration et l'entretien.

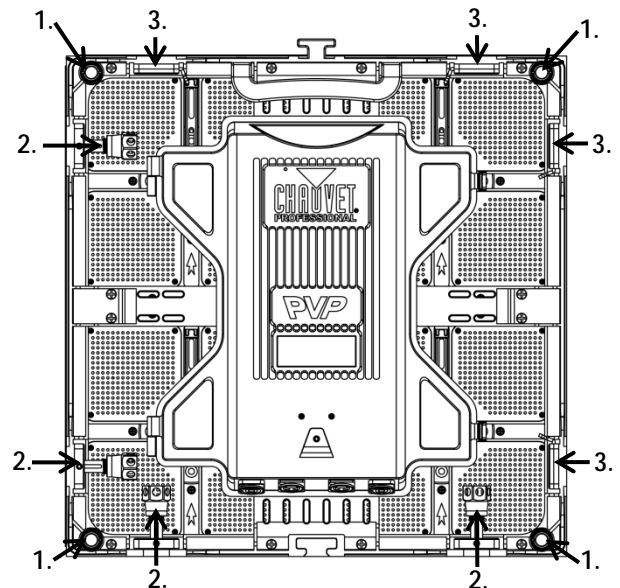
Chauvet recommande de suivre les recommandations générales qui suivent.

- Lors du choix d'un emplacement pour l'installation, veuillez prendre en considération la facilité d'accès pour l'utilisation et l'entretien régulier.
- Assurez-vous d'accrocher ce produit à l'écart de toute matière inflammable comme indiqué dans la section [Consignes de sécurité](#).
- Ne montez jamais l'appareil dans des endroits où la pluie, des changements de température extrêmes ou un manque de ventilation pourraient endommager l'appareil.
- Assurez-vous que la structure à laquelle vous accrochez les panneaux peut supporter le poids.

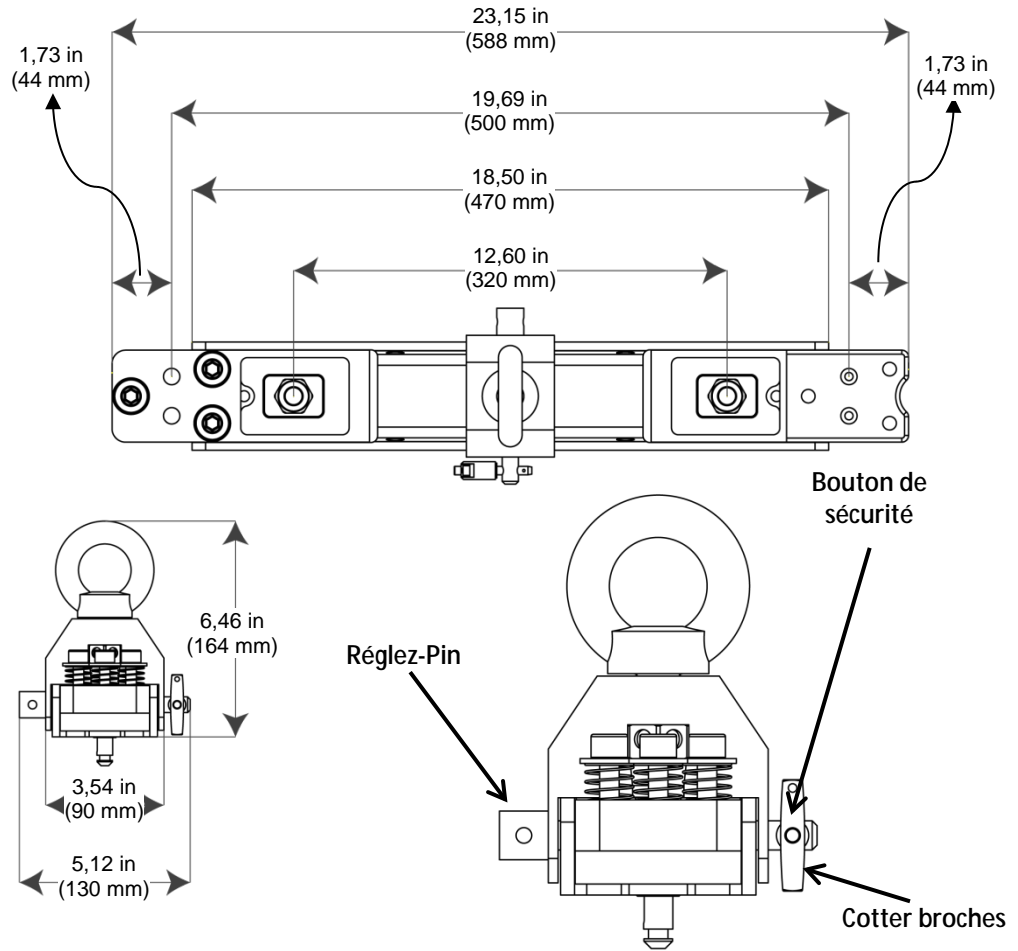
Veuillez consulter la section [Spécifications techniques](#) pour les exigences en poids de chaque PVP X3.

Points de fixation

1. Trous de montage fileté taille M12 (x4)
2. Connexion Speego mâle
3. Connexion Speego femelle



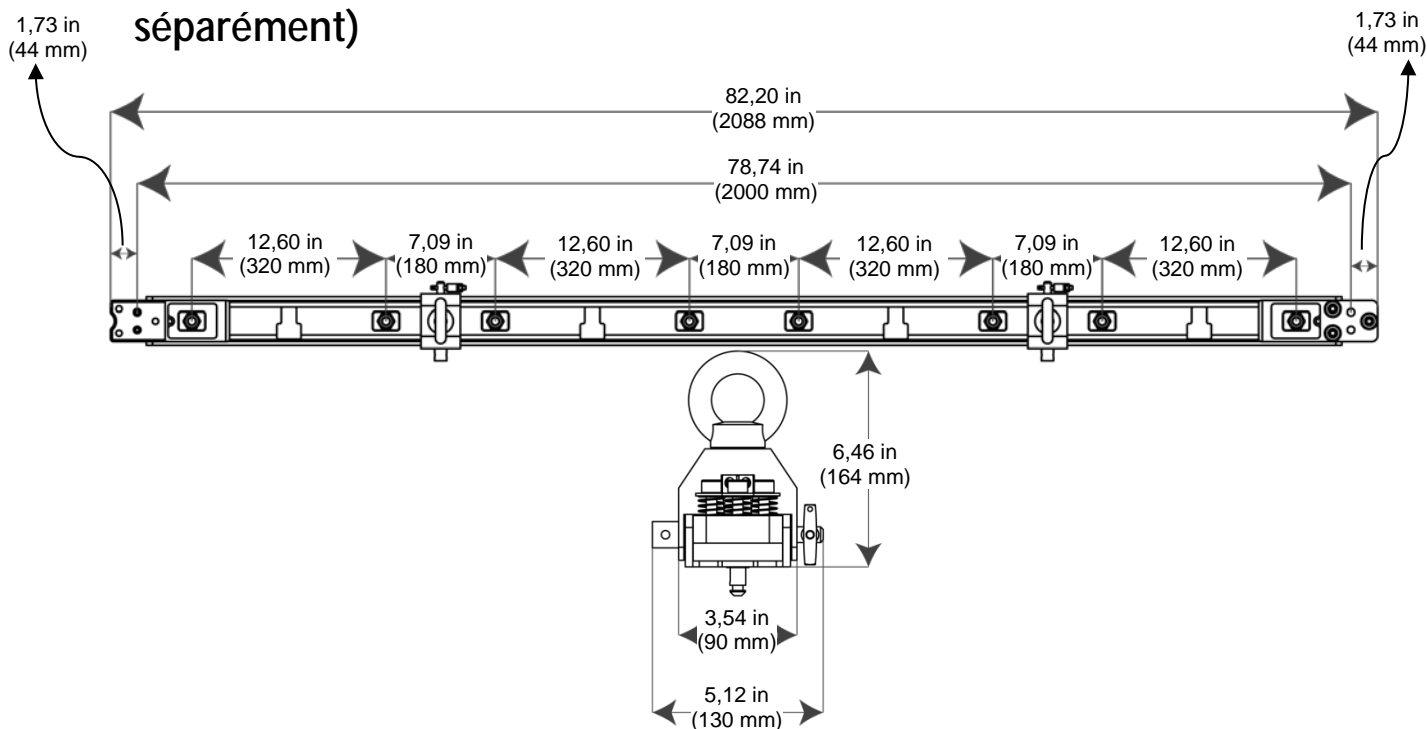
RB-X50CM Kit de montage (vendu séparément)



Installation d'un boulon à œil

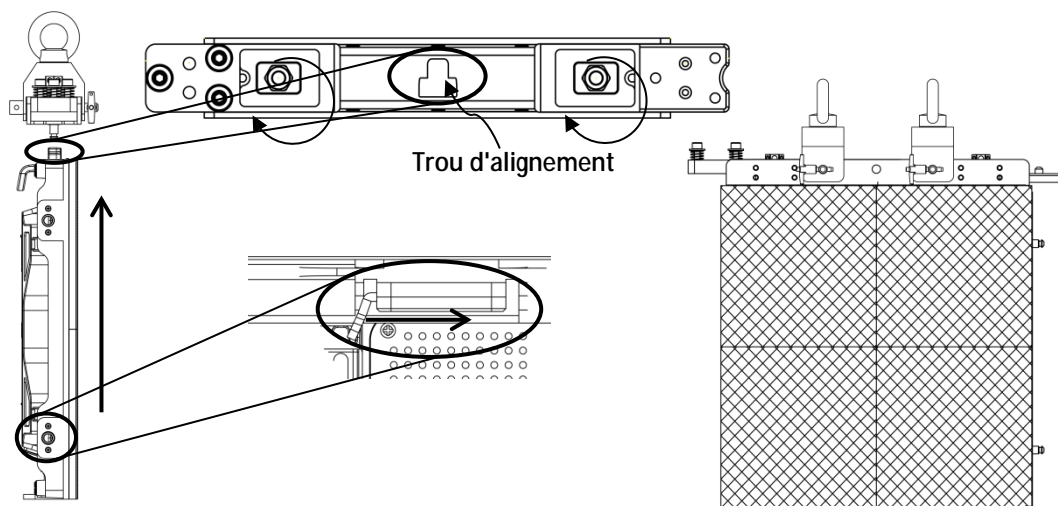
1. Retirer clavette de mettre broches en appuyant d'abord sur le bouton de sécurité dans le milieu de la poignée.
2. Retirer mettre broches du boulon à œil.
3. Aligner le boulon d'oeil sur l'un des trous pré-coupés sur la barre de forage.
4. Re-insérer le-Pin Set pour fixer le boulon à œil à la barre de forage
5. Re-insérer la clavette dans l'ensemble broches.

RB-X200CM Kit de montage (vendu séparément)



Veillez noter que la barre d'attache RB-X200CM dispose de 2 kits boulons à œil pré-installés.

Assemblage du kit de montage et du panneau



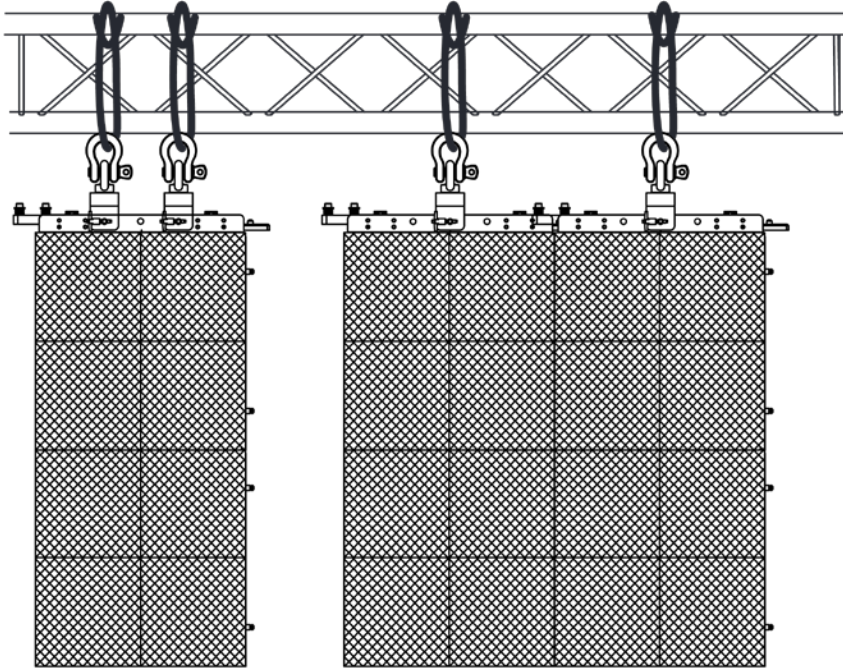
1. Insérer le crochet d'alignement dans le trou d'alignement et pousser le panneau vers l'avant.
2. Pousser les deux connecteurs Speego mâle dans les connexions Speego femelle et effectuer une rotation horaire pour serrer le panneau sur la barre d'attache.
3. Inverser les étapes ci-dessus pour enlever le panneau de la barre d'attache. Appuyer sur la languette de la connexion speego femelle pour relâcher le connecteur speego mâle.



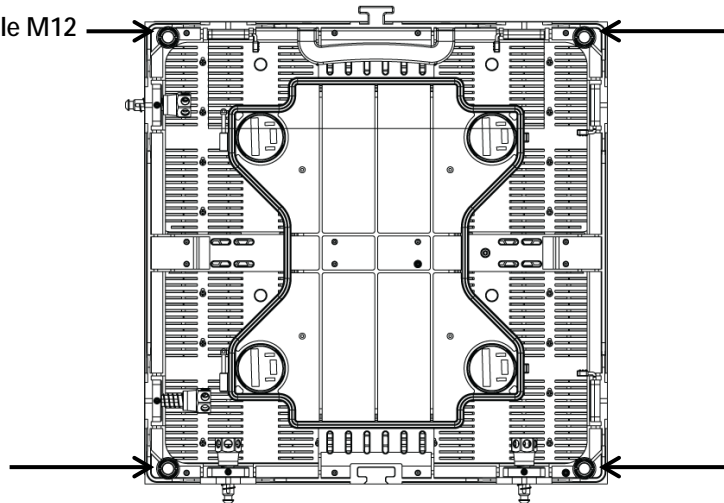
Le crochet d'alignement du PVM X3 est conçu pour supporter de manière temporaire le poids du panneau et pour permettre à l'utilisateur d'aligner et de serrer correctement le panneau en place.

Installation sur treillis Veuillez vous référer au schéma suivant pour l'installation sur un treillis. Chauvet propose des barres d'attache PVP X-Series Rig Bar (vendues séparément) spécialement conçues pour accrocher les panneaux.

Fixation sur un treillis à l'aide de la barre d'attache PVP X-Series en option



Trous de montage fileté taille M12 (x4)



Les positions de montage des 4-M12 sont destinées pour une installation d'encastrement sur une surface plane derrière les dalles vidéo. Toutes les 4 positions de montage de chaque dalle doivent être utilisés afin de maintenir l'intégrité de la structure. Les fixations M12 ne sont pas faites pour accrocher ou suspendre à partir d'un treillis ou une autre structure aérienne.

Pour suspendre / accrocher les dalles à partir d'un treillis ou autre structure aérienne, utiliser les barres de Rig série X (RBX-50CM ou -200CM vendus séparément).



Les illustrations ci-dessus ne sont que des exemples. Veuillez vous référer à l'ensemble des codes et règlements locaux en vigueur pour une installation correcte de l'appareil.

Matériel de fixation PVP X-Series

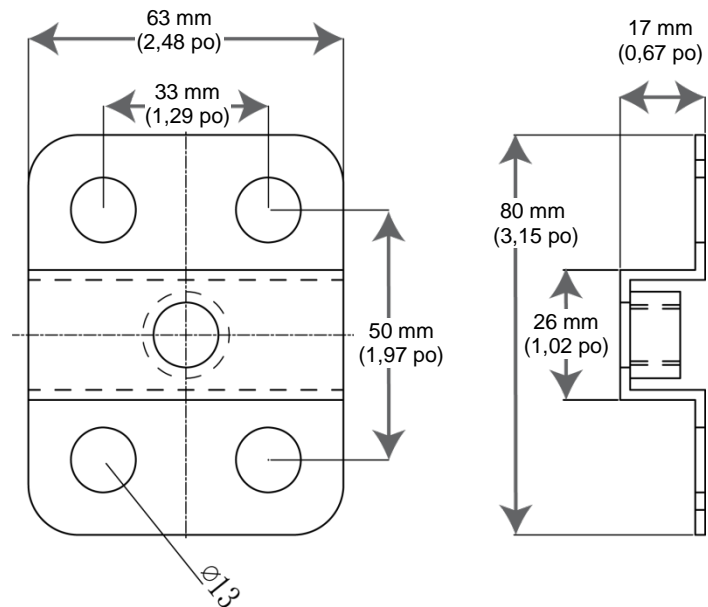
Chauvet propose un kit de matériel de fixation X-Series (vendus séparément) spécialement conçu pour accrocher des groupes de panneaux. Les kits sont vendus par lots de 10.

Remarque : Ces supports sont conçus pour être soit utilisées avec des traverses en acier ou avec un tube carré en acier de 25 mm (1 po) (aucun des deux ne sont disponibles auprès de Chauvet).

Chaque kit comporte :

- 1 support
- 4 vis M12x55
- 4 vis M12x20
- 4 rondelles plates en acier
- 4 rondelles de blocage en acier

Dimension du support

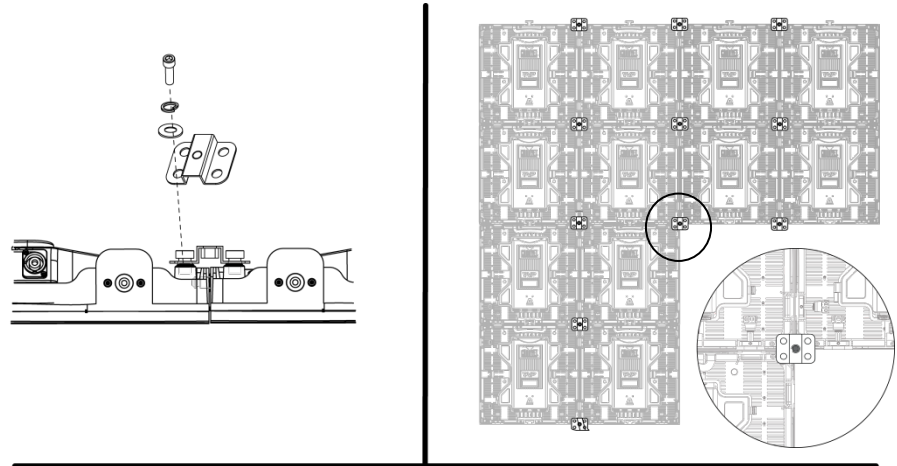
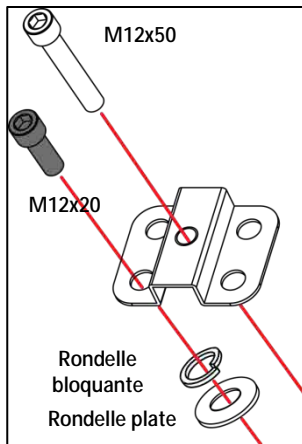


Les 4 trous de fixation M12 sont prévus pour une installation par encastrement sur une surface plane derrière des panneaux vidéo. Les 4 points de fixation du panneau doivent être utilisés afin de conserver l'intégrité de la structure. Les fixations M12 ne sont pas prévues pour être accrochées ou suspendues à un treillis ou toute autre structure en hauteur.

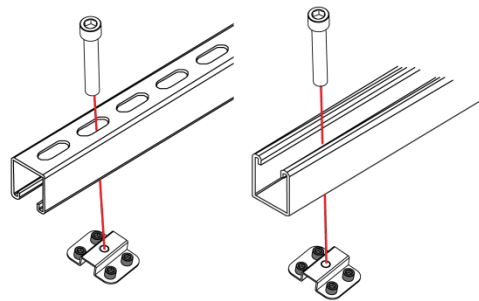
Méthode 1 : Montage sur traverse en acier (ou autre surface) :

Les traverses en acier, ou autre surface équivalente, doivent être achetées séparément. Référez-vous aux dimensions du support pour la taille maximale.

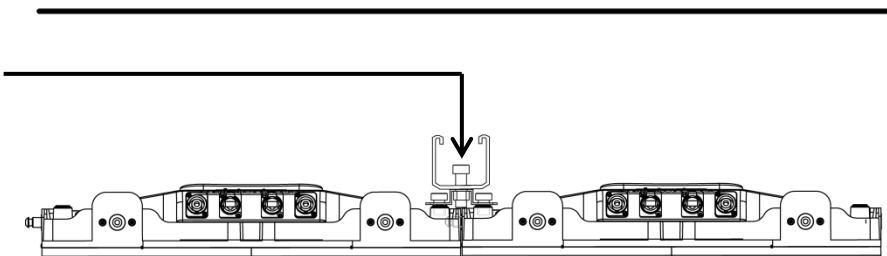
1. Utilisez des vis M12x20 avec à la fois une rondelle de blocage et une rondelle plate pour attacher les supports encastrables sur des panneaux reliés de manière sûre. (voir les illustrations)



2. Placement des traverses sur les supports en utilisant des vis M12x50, l'une ou l'autre des options étant acceptable.



3. Pour finir, insérez les vis M12x50 dans le trou fileté central pour serrer et sécuriser les panneaux en position sur les traverses.



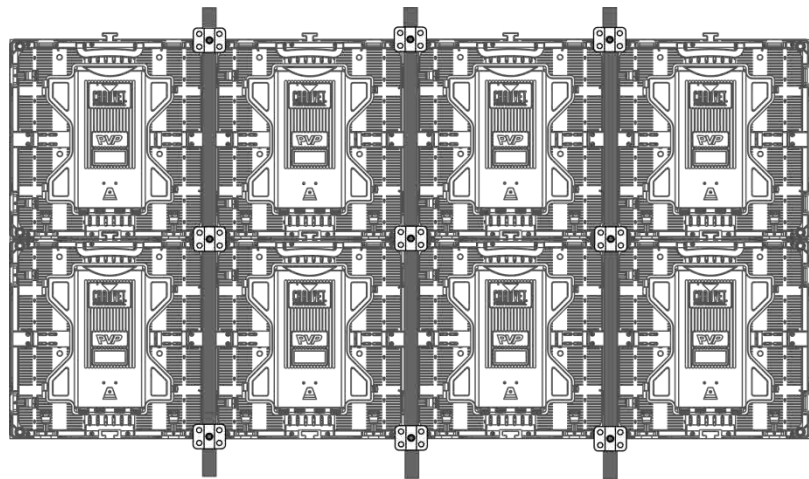
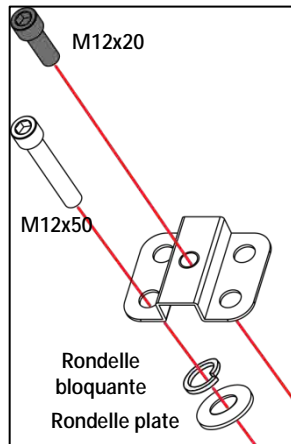
Les illustrations ci-dessus ne sont que des exemples. Veuillez vous référer à l'ensemble des codes et règlements locaux en vigueur pour une installation correcte de l'appareil.



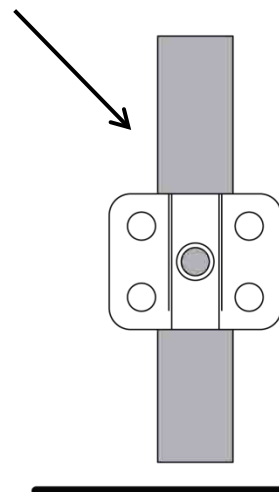
Assurez-vous que la surface de montage que vous souhaitez utiliser peut supporter le poids de l'intégralité des panneaux à monter. Utilisez tous les points de fixation pertinents.

Méthode 2 : Montage sur des tubes en acier

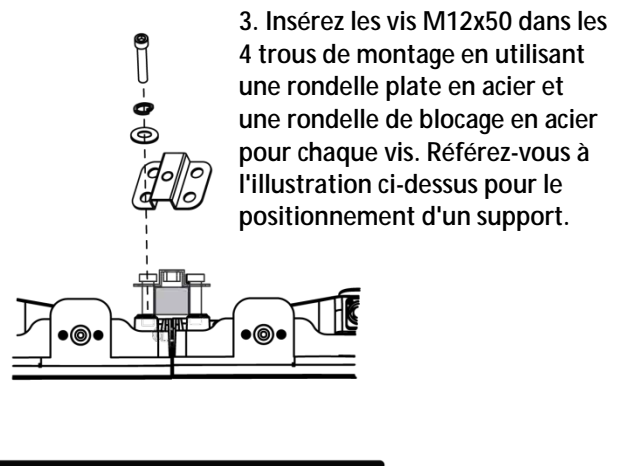
Tube carré résistant en acier de 25mm (1 po) ou équivalent à acheter séparément. Référez-vous aux dimensions du support pour la taille maximale.



1. Positionnement des supports sur un tube carré en acier de 25 mm (1 po)

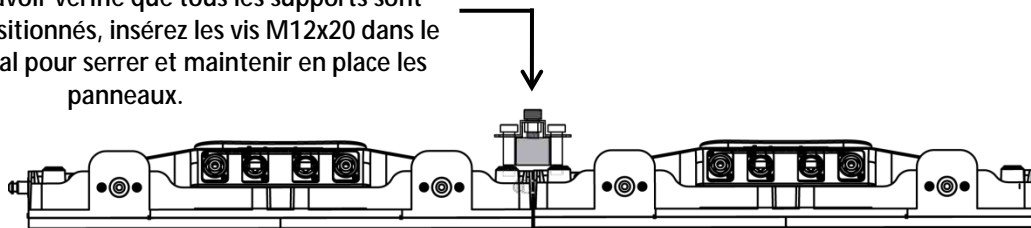


2. Alignez les supports et le tube en acier pour connecter les panneaux de manière sûre.



3. Insérez les vis M12x50 dans les 4 trous de montage en utilisant une rondelle plate en acier et une rondelle de blocage en acier pour chaque vis. Référez-vous à l'illustration ci-dessus pour le positionnement d'un support.

4. Enfin, après avoir vérifié que tous les supports sont correctement positionnés, insérez les vis M12x20 dans le trou fileté central pour serrer et maintenir en place les panneaux.



Les illustrations ci-dessus ne sont que des exemples. Veuillez vous référer à l'ensemble des codes et règlements locaux en vigueur pour une installation correcte de l'appareil.

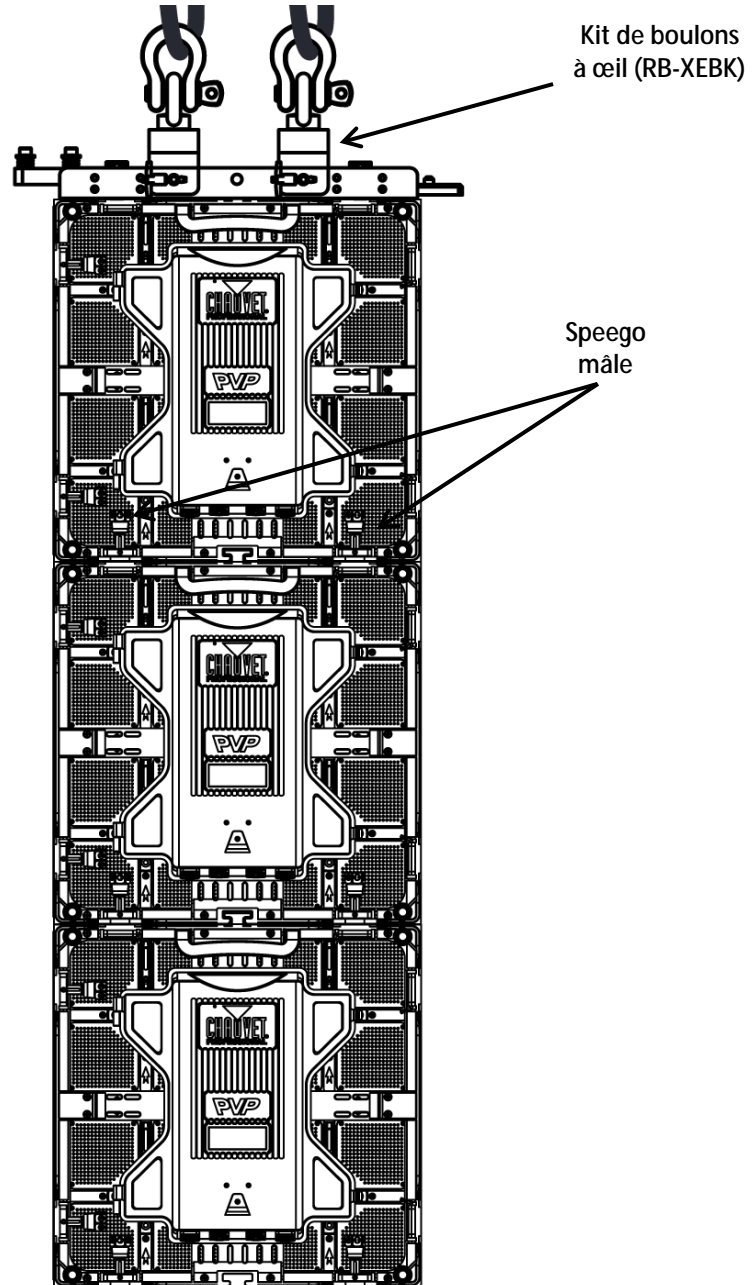


Assurez-vous que la surface de montage que vous souhaitez utiliser peut supporter le poids de l'intégralité des panneaux à monter. Utilisez tous les points de fixation pertinents.

5. Assembler plusieurs PVP X3 ensemble (création d'une conception modulaire)

Assemblage vertical des panneaux

Chaque PVP X3 peut être facilement assemblé de manière verticale sur un treillis avec une barre d'attache en option à l'aide d'un boulon connecteur à œil supplémentaire (vendu séparément) et des deux connexions speego femelle situées au niveau des coins supérieurs de chaque panneau. Utilisez les connexions speego mâle situées en bas de chaque panneau pour connecter des panneaux supplémentaires. Ces connecteurs restent encastrés lorsqu'ils ne sont pas utilisés.



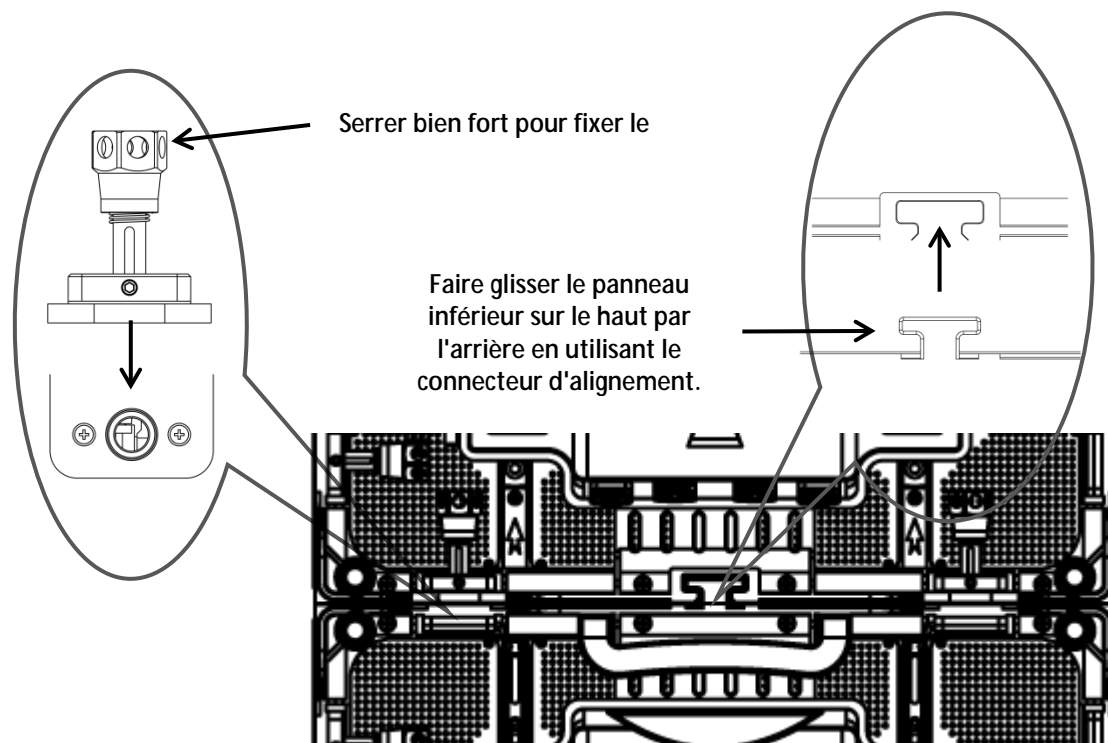
Les panneaux doivent être installés sur une seule colonne avec le kit de boulons à œil comme montré ci-dessus lors de l'utilisation de la barre d'attache PVP X-Series Rig Bar.

Assembler plusieurs PVP ensemble (création d'une conception modulaire)

Connexion verticale des panneaux

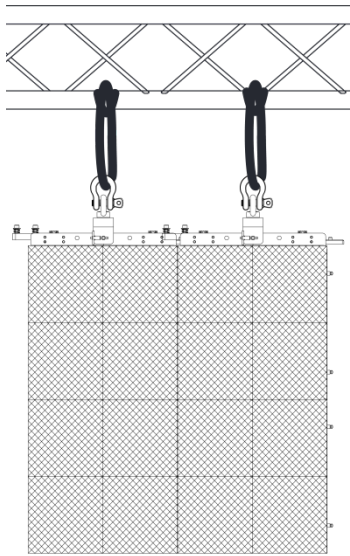
Utilisez les instructions qui suivent pour assembler des panneaux verticalement :

1. Alignez les connecteurs d'alignement situés en haut et en bas de chaque panneau.
2. Insérez les connexions speego mâle dans les connexions speego femelle.
3. Bien serrer les boutons de serrage pour maintenir en place.



Assemblage horizontal des panneaux

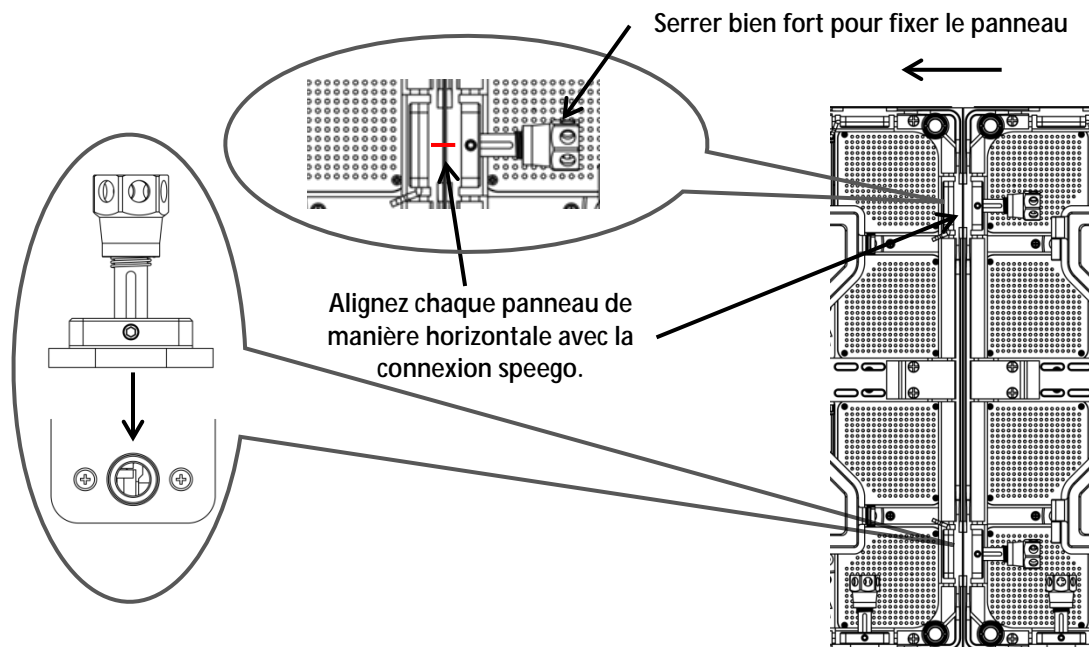
Chaque PVP X3 peut être facilement assemblé horizontalement en utilisant les deux boutons de verrouillage horizontal situés à l'intérieur, sur le côté gauche, en haut et en bas de chaque panneau.



Connexion horizontale des panneaux

Utilisez les instructions qui suivent pour assembler des panneaux horizontalement :

1. Alignez chacune des connexions speego mâle des panneaux avec les connexions speego femelle correspondantes des panneaux à ajouter.
2. Insérez les connexions speego mâle dans les connexions speego femelle de chaque côté des panneaux;
3. Bien serrer les boutons de serrage pour maintenir en place.



6. Connexion (câblage) des PVP X3

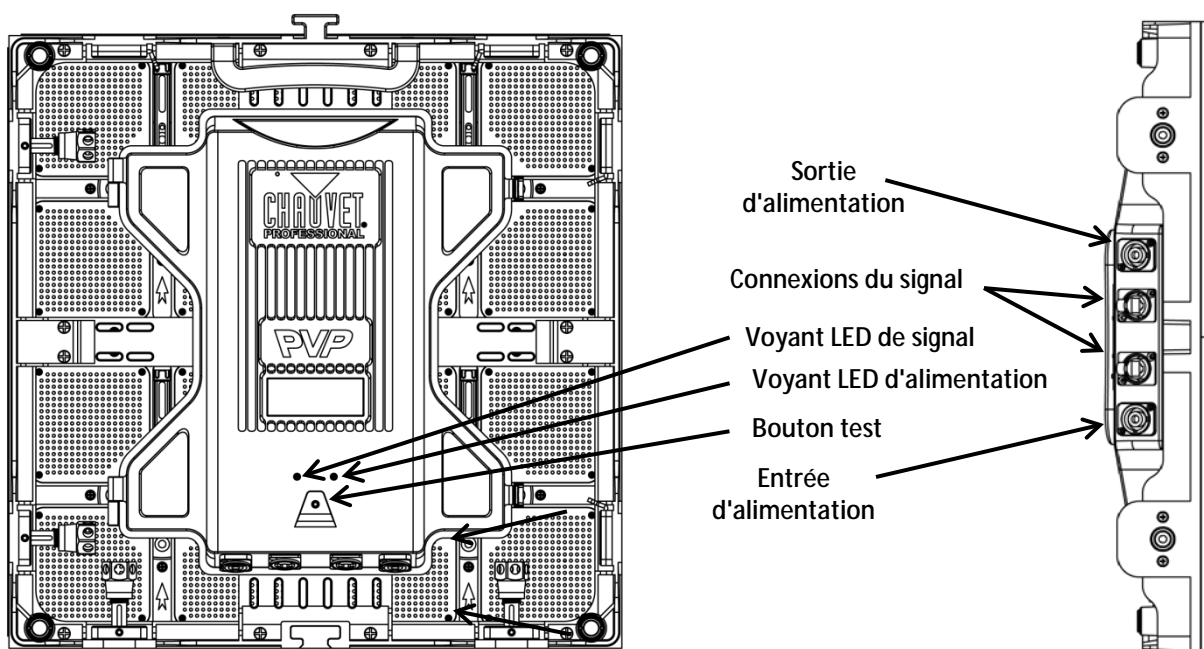
Test des connexions de signal et d'alimentation

Chaque PVP X3 est équipé de 2 prises d'alimentation et de deux ports de signal.

- Les connexions de signal et d'alimentation sont situées sur le côté inférieur droit de chaque panneau.
- Les ports de signal peuvent être utilisés indifféremment.
- Chaque PVP X3 est équipé de voyants LED d'indication.
- Chaque panneau indique qu'une connexion à l'alimentation s'est effectuée avec succès en affichant un voyant d'indication rouge fixe.
- Chaque panneau indique qu'il reçoit un signal vidéo en faisant clignoter le voyant d'indication en vert. Cette lumière doit toujours clignoter pour indiquer une bonne réception.

Vue du panneau arrière

Vue de la face inférieure de l'accès



Utilisation du bouton Test du PVPX3

Chaque PVP X3 dispose également d'un bouton Test utilisé pour s'assurer que toutes les LEDs fonctionnent. Utilisez le bouton Test de chaque panneau pour effectuer un test automatique. Lors des tests automatiques, vous devez procéder à un PVP X3 à la fois. Il n'est pas nécessaire de connecter le panneau à un signal ou d'utiliser un logiciel.



Lors de l'utilisation du bouton Test, assurez vous que le PVP X3 n'est pas connecté au VIP Driver.

Pour utiliser le bouton Test, vous devez connecter l'alimentation, mais **pas** les câbles de signal. Appuyez sur le bouton test pour parcourir les différentes configurations d'affichage de lumière LED.

Connexion des câbles d'alimentation et de signal

Connexion du signal entre des panneaux assemblés

Les sections suivantes fournissent des informations et des schémas sur la connexion du signal et de l'alimentation entre les panneaux.

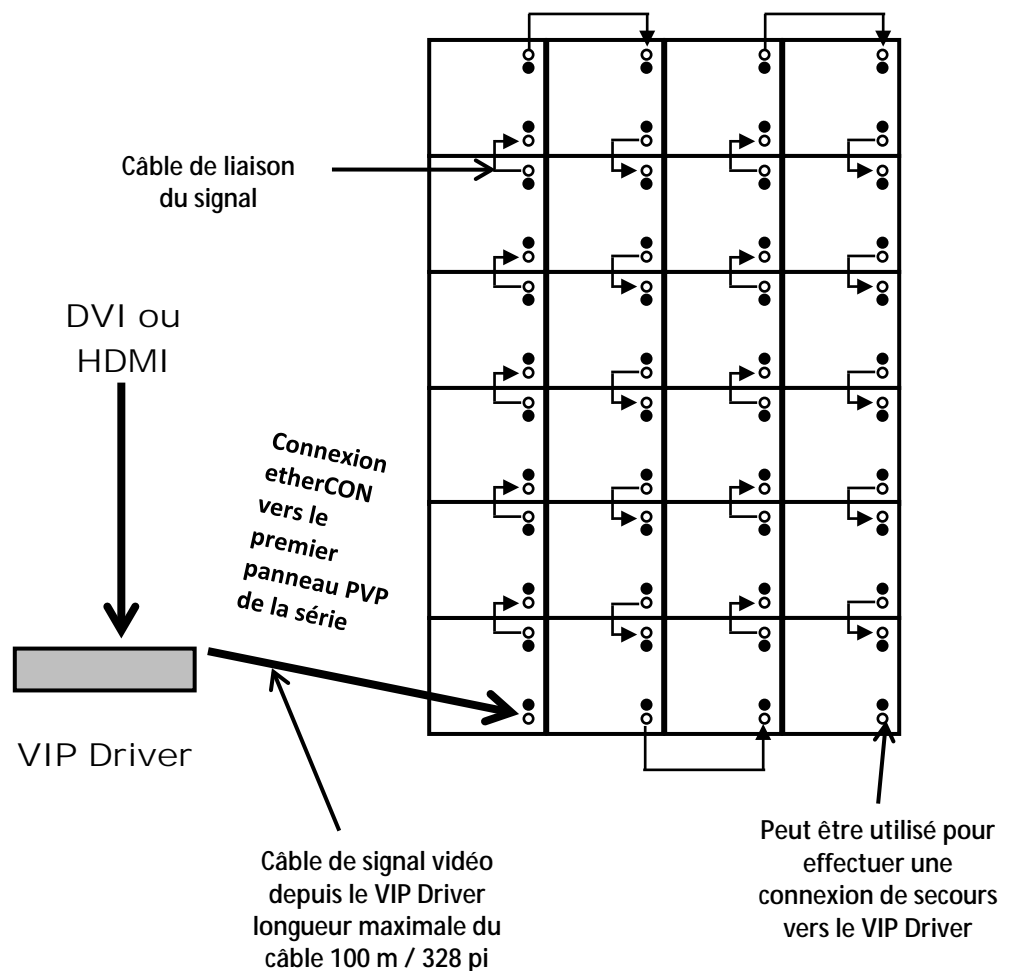
Veillez vous référer aux sections [Introduction](#) ou [Fonctionnement](#) de ce manuel d'utilisation pour les câbles disponibles et les numéros d'article.

La connexion du signal entre les panneaux peut être effectuée de différentes manières. La configuration de base pour connecter le signal d'un panneau à un autre est la suivante.

1. Le signal source est connecté au premier panneau.
2. Un câble de signal est alors connecté depuis le premier panneau.
3. Les connexions continuent en chaînage jusqu'à ce que tous les panneaux soient connectés.
4. Le cheminement des câbles utilisé pour effectuer les connexions de signal peut varier.

Les schémas qui suivent sont des recommandations de branchements de signal entre les panneaux.

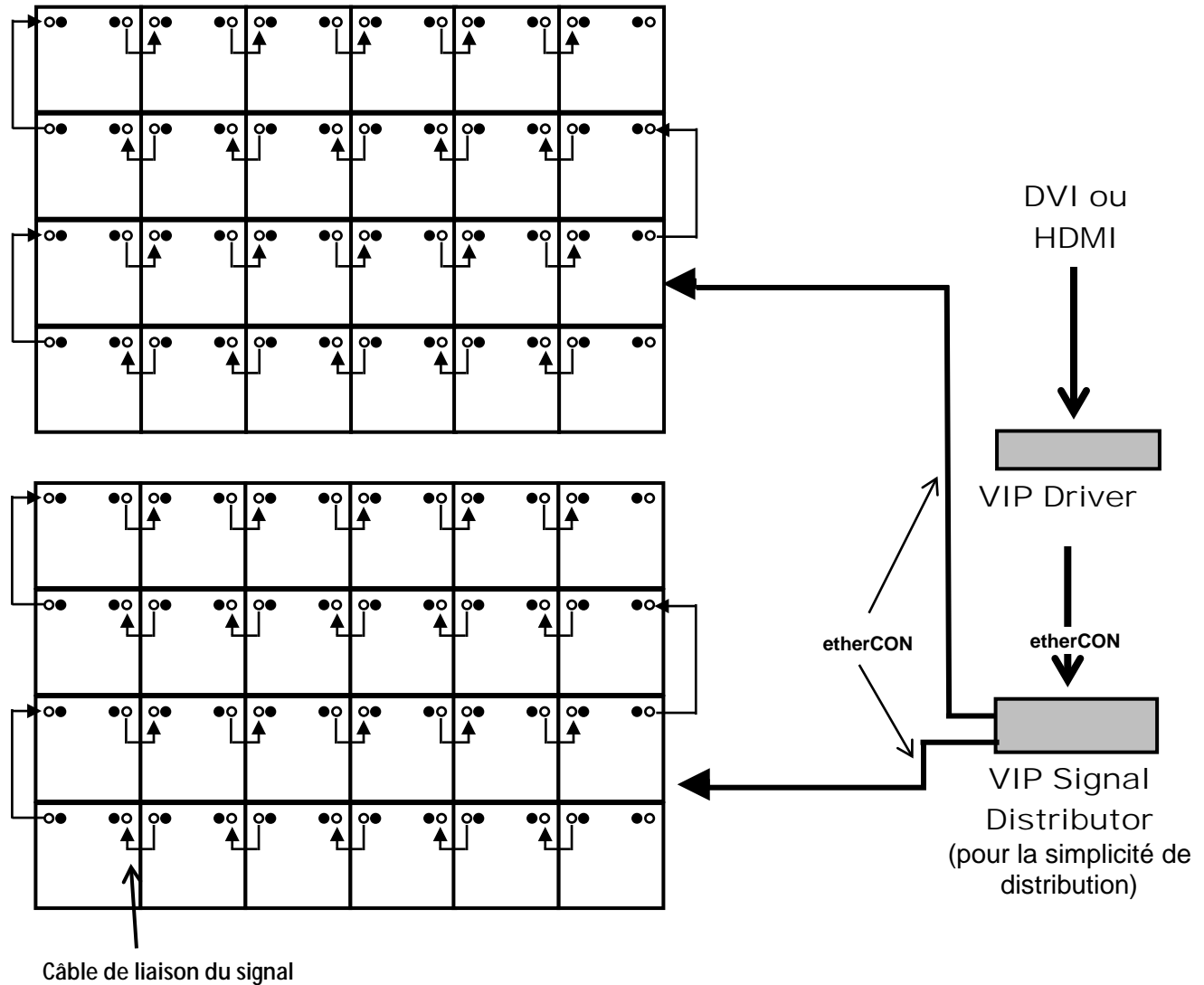
Ce schéma montre un exemple d'une connexion de signal simple.



Connexion (câblage) de chaque PVP

Le schéma suivant montre un exemple de configuration de connexion de signal plus large. Cet exemple de conception de mur vidéo utilise :

- Une connexion de signal en entrée vers le VIP Driver.
- Une connexion du VIP Driver vers le VIP Signal Distributor.
- Une connexion d'un câble de signal en fonction du nombre de panneaux dans la conception de mur vidéo et de la disposition pour la facilité de la configuration.



Dans cette configuration, la ligne de secours du répartiteur peut être connectée au dernier panneau de n'importe quel groupe de panneaux, ou à n'importe quelle connexion libre sur le VIP Signal Distributor, y inclut la sortie "B".

Connexion de l'alimentation entre des panneaux assemblés

La connexion du câble d'alimentation entre les panneaux peut également être effectuée de différentes manières. La configuration de base pour connecter l'arrivée en alimentation d'un panneau à un autre est la suivante.

1. L'alimentation principale est connectée à l'entrée ou la sortie d'alimentation du premier panneau.
2. Un câble powerCON est alors connecté à la sortie d'alimentation du premier panneau et connecté à l'entrée d'alimentation du panneau suivant.
3. Les connexions continuent jusqu'à ce que tous les panneaux soient connectés.

Connectez l'alimentation entre les panneaux en utilisant la même procédure que pour le signal mais en utilisant les connecteurs d'entrée et de sortie d'alimentation. Vous devez respecter les spécifications en chaînage électrique pour chaque modèle de PVP X3.

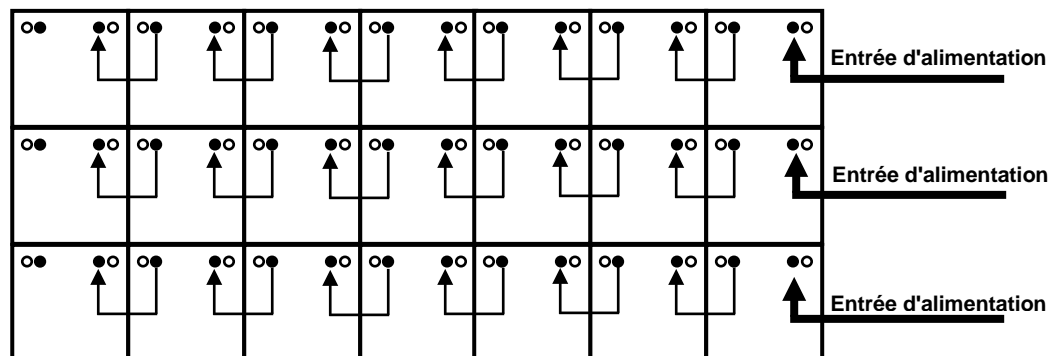
Veillez vous référer à la section [Chaînage électrique](#) pour plus de détails sur le nombre de panneaux qui peuvent être reliés en fonction de la tension d'une seule connexion d'alimentation.



Le chaînage électrique de plus de panneaux que recommandé annule votre garantie et augmente le risque d'électrocution ou d'incendie

Veillez vous référer au schéma suivant pour un exemple de connexion d'alimentation depuis le secteur jusqu'à chaque panneau connecté.

Cet exemple utilise un chaînage électrique horizontal de 7 panneaux PVP X3 sur du 120V.



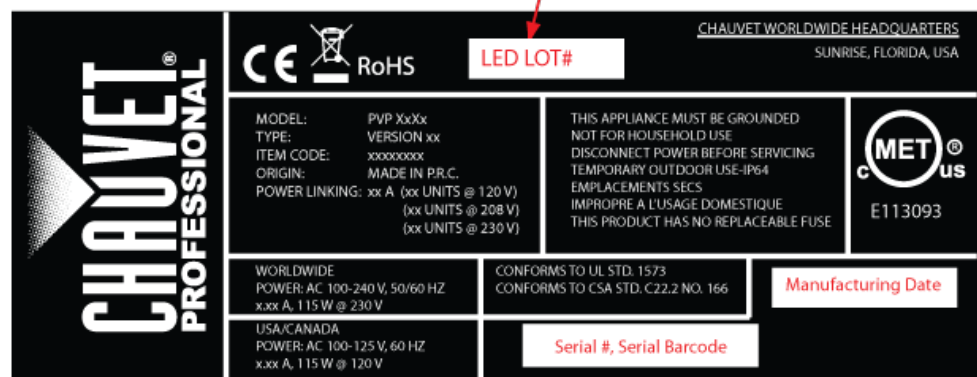
7. Entretien et remplacement des modules LED

Module LED PVP X3

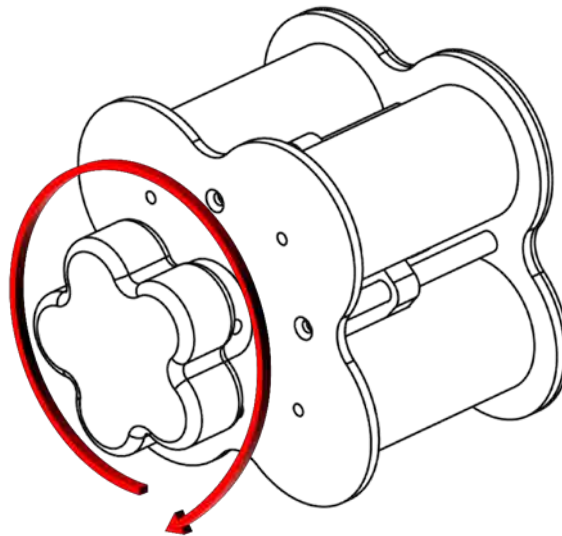
Chaque PVP X3 comporte 4 modules LED connectés au cadre du panneau par des vis molettes et des aimants. Chaque module dispose de 2 câbles, un pour les données et un pour l'alimentation, qui se connectent à l'unité de traitement centrale.

Numéros de lot LED

Pour s'assurer d'un ensemble cohérent des couleurs et de la sortie, remplacez les modules endommagés ou défectueux avec des modules portant le même numéro de lot LED. Lors de la combinaison de panneaux pour former des systèmes entiers de mur vidéo (location, installations permanentes, etc...), il est fortement recommandé que le numéro de lot LED de chaque panneau soit identique. Les numéros de lot peut être trouvés sur l'autocollant des spécifications situé à l'arrière de chaque panneau.



Utilisation du MT-01

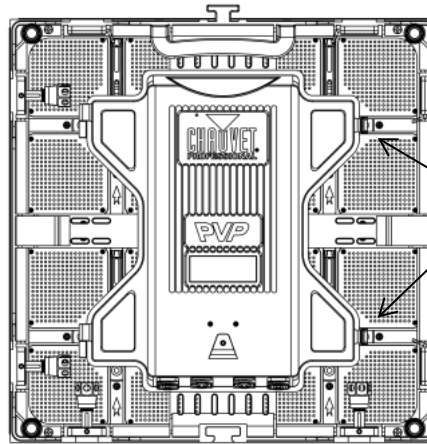


Le MT-01 est un aimant spécialement conçu pour la dépose et la pose en toute sécurité des modules LED du PVP X3. Avant d'utiliser cet outil, assurez-vous que l'aimant soit entièrement retiré en arrière à sa position de départ en tournant la poignée dans le sens des aiguilles d'une montre. Dans le cas contraire, si l'aimant n'est pas dans sa position de départ, vous risquez d'endommager le module.



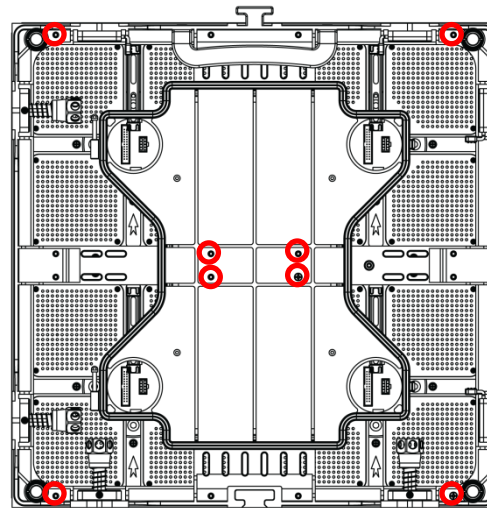
Dans le cas contraire, si l'aimant n'est pas dans sa position de départ, vous risquez d'endommager le module !

Dépose d'un module
LED du PVP X3 avec le
MT-01

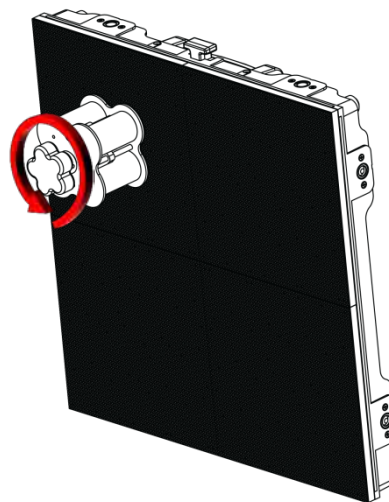


Loquets de la trappes d'accès
pour entretien

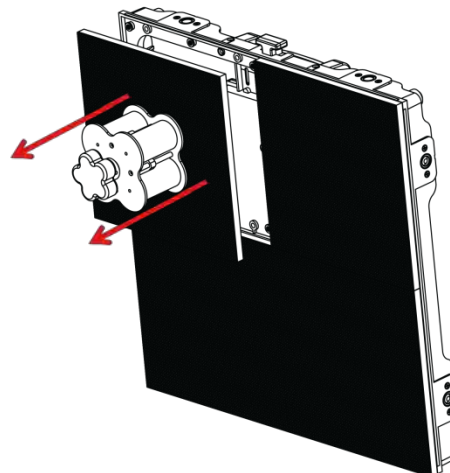
1. Positionnez l'appareil sur une table plane comme indiqué.
2. Déverrouillez et ouvrez la trappe d'accès pour entretien.



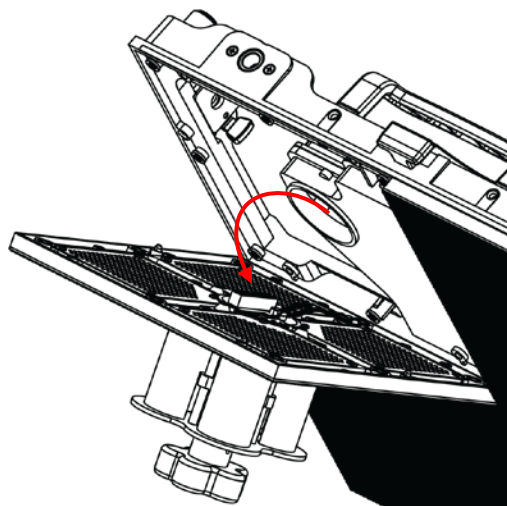
3. Déserrez les deux vis molette qui retiennent le module au cadre.



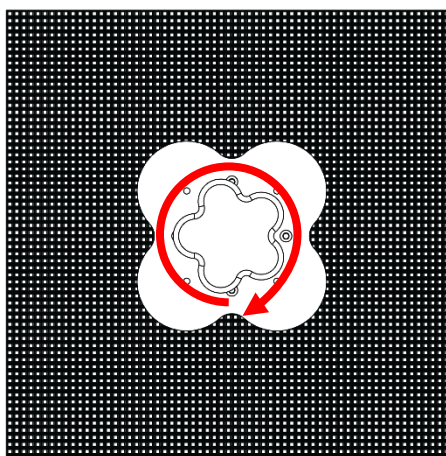
4. Positionnez avec soin le MT-01 sur la surface du module à enlever. Tournez la poignée dans le sens inverse des aiguilles d'une montre jusqu'à ce que le module soit à une distance de 1 mm de l'aimant.



5. En forçant progressivement et de manière constante, tirez aussi droit que possible le MT-01 jusqu'à ce que le module soit détaché du cadre.

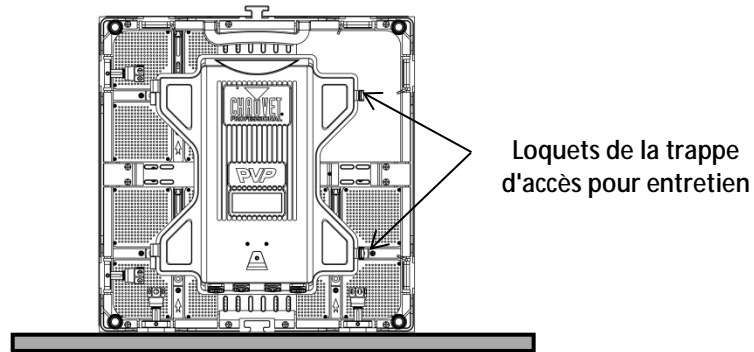


6. Débranchez les deux connexions Molex de l'arrière du module.

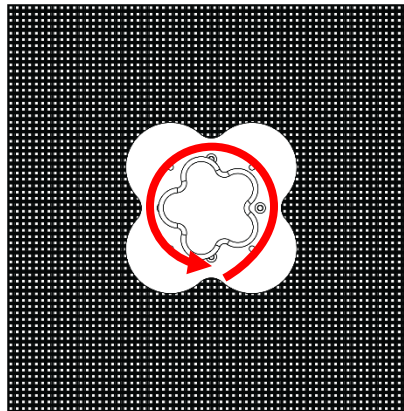


7. Détachez le module en tournant la poignée du MT-01 dans le sens des aiguilles d'une montre.

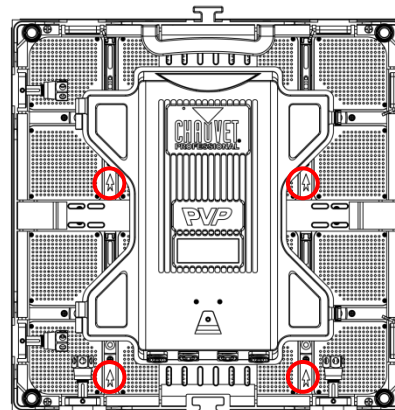
*Installation d'un module
LED du PVP X3 avec le
MT-01*



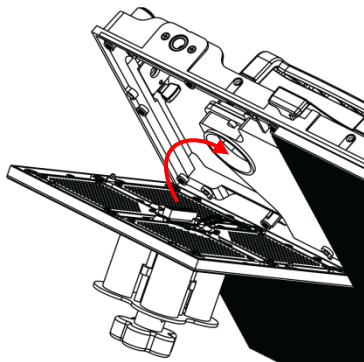
1. Positionnez l'appareil sur une table plane comme indiqué.
2. Déverrouillez et ouvrez la trappe d'accès pour entretien.



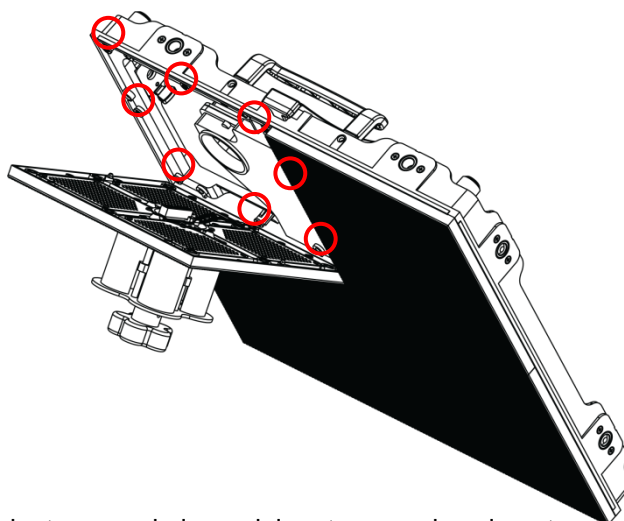
3. Placez le nouveau module LED pour PVP X3 sur une surface plane.
4. Placez doucement le MT-01 réglé à sa position de départ sur le dessus du nouveau module.
5. Tournez la poignée dans le sens inverse des aiguilles d'une montre jusqu'à ce que les aimants soient à une distance de 1 mm de la surface.



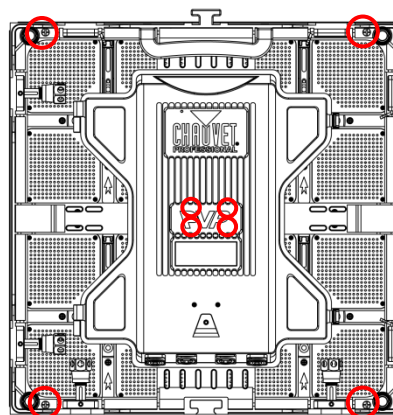
6. Orientez le module afin que la flèche située à l'arrière pointe vers le haut.



7. Sur le devant du panneau, fixez les deux connexions Molex du panneau au module.



8. En manipulant avec soin le module retenu par les aimants, positionnez avec soin le module sur le panneau.



9. Repérez et serrez les vis molettes pour verrouiller le module en place.
10. Enlevez le MT-01 en tournant la poignée dans le sens des aiguilles d'une montre jusqu'à sa position de départ et en l'éloignant du module.

8. Installation PVP X3 type

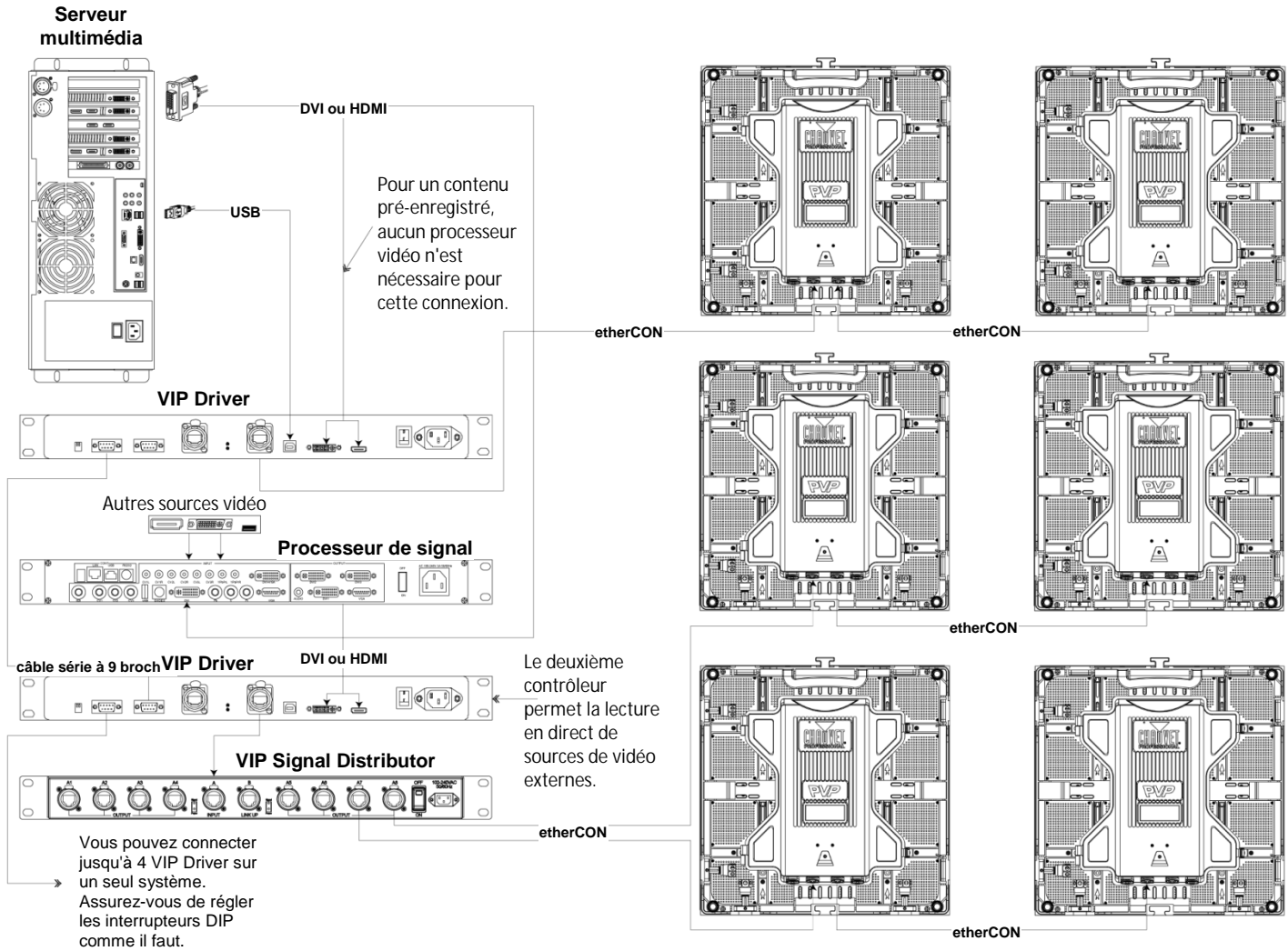
Étant donné qu'un système de mur vidéo peut inclure une multitude de composants pour former une conception de mur modulaire qui va du simple au complexe, suivez les étapes suivantes d'une manière générale pour débiter.

- Étape 1* Ouvrez et inspectez la mallette du PVP X3 pour vous assurer que vous avez reçu tous les appareils et accessoires et que chacun est en bon état.
- Étape 2* Branchez et lancez le test automatique pour chaque PVP X3 pour vous assurer que l'intégralité des LEDs et des connexions internes de chaque panneau fonctionnent (optionnel).
- Étape 3* Préparez une surface stable (par exemple un treillis ou toute autre surface stable) pour l'installation du PVP X3.
- Étape 4* Installez la première rangée supérieure de PVP X3. Référez-vous à la section [Installation](#) de ce manuel d'utilisation.
- Étape 5* Réglez l'alignement de la première rangée en utilisant les connecteurs speego.
- Étape 6* Connectez la source de signal au VIP Driver. Connectez le VIP Driver au VIP Signal Distributor (le cas échéant).
- Étape 7* Connectez soit le VIP Driver ou le VIP Signal Distributor (si utilisé) à la prise de signal en entrée du premier panneau dans votre chaîne de connexion.
- Étape 8* Selon votre configuration (conception) de mur vidéo, assemblez chaque panneau, soit horizontalement ou verticalement, en utilisant les instructions de la section [Assembler plusieurs PVP X3 ensemble \(création d'une conception modulaire\)](#).
Référez-vous aux instructions et aux informations contenues dans la section [Connexion \(câblage\) de chaque PVP X3](#).

Exemple de configuration de système de mur vidéo VIP

Le schéma suivant montre un exemple de configuration pour un système de mur vidéo Chauvet VIP. Cette configuration de système inclut un processeur de signal optionnel pour la gestion de sources vidéo supplémentaires, ainsi que le VIP Signal Distributor pour la prise en charge d'un plus grand nombre de panneaux. Veuillez noter que la configuration avec deux contrôleurs montrée ici permet la lecture simultanée de contenu pré-enregistré et en live, le tout piloté par un seul ordinateur.

Veuillez vous référer au manuel d'utilisation du processeur de signal et au manuel de référence du VIP Signal Distributor pour des informations sur ces composants de mur vidéo.



9. Utilisation

Matériel et logiciel additionnels

En plus des panneaux, vous aurez également besoin de matériel et logiciels supplémentaires pour concevoir, construire et faire fonctionner votre système de mur vidéo VIP. Le tableau qui suit résume ces éléments supplémentaires, certains étant requis et d'autre optionnels.

Article	Description	Code de l'article
VIP Driver	Interface entre la source de signal, le logiciel LED Studio et le PVP X3 utilisé	99090575
LED Studio	Logiciel utilisé pour concevoir et faire fonctionner les PVPs qui constituent un mur vidéo. Un ordinateur est nécessaire.	
VIP Signal Distributor (en option)	Se branche entre le VIP Driver et les PVPs pour distribuer le signal source en provenance du VIP Driver vers le mur vidéo.	99090576
Barre d'attache PVP X Series (en option)	Contient le matériel nécessaire pour installer des PVPs de la gamme X.	06090926
Câble d'extension de signal Neutrik etherCON (en option)	Câble d'extension Neutrik etherCON, 45 cm (18 po)	19090363
	Câble d'extension Neutrik etherCON, 1,5 m (5 pi)	19090364
	Câble d'extension Neutrik etherCON, 3 m (10 pi)	19090365
Câble d'extension Neutrik powerCON (en option)	Câble d'extension powerCON, 45 cm (18 po)	19110372
	Câble d'extension powerCON, 1,5 m (5 pi)	19110373
	Câble d'extension powerCON, 3 m (10 pi)	19110374
	Câble d'extension powerCON, 7,5 m (25 pi)	19110375
	Câble d'extension powerCON, 15 m (50 pi)	19110376
VIP Media System et un VIP Driver	Système vidéo sur ordinateur montable en rack avec le VIP Driver et le logiciel LED Studio	
VIP Media System avec ArKaos MediaMaster Express + KN et un VIP Driver	Système vidéo sur ordinateur montable en rack avec le VIP Driver et le logiciel LED Studio ainsi que le logiciel ArKaos MediaMaster Express	
ArKaos MediaMaster Express + KN	Logiciel de lecture vidéo + contrôle KN	

A propos de CHAUVET LED Studio

CHAUVET LED Studio est un logiciel puissant et intuitif utilisé pour concevoir et faire fonctionner des systèmes de mur vidéo. Les informations qui suivent donnent quelques éléments d'introduction sur le logiciel.

Référez-vous au manuel d'utilisation CHAUVET LED Studio pour obtenir des informations détaillées et des instructions sur le paramétrage et l'utilisation du logiciel CHAUVET LED Studio avec votre système de mur vidéo Chauvet VIP.

Description

CHAUVET LED Studio vous permet de créer et contrôler votre mur vidéo en pilotant les panneaux qui composent votre mur vidéo, y inclut le pas de pixel et la disposition.

Une fois votre conception de mur vidéo modulaire effectivement réalisée par assemblage des panneaux, connexion à l'alimentation, au signal et au VIP Media System, vous devez recréer cette conception dans LED Studio.

Des informations et instructions détaillées sont disponibles dans le manuel d'utilisation de CHAUVET LED Studio.



Chauvet ne recommande pas d'utiliser le logiciel CHAUVET LED Studio pour une lecture dans un spectacle en live. Dans de tel cas, Chauvet propose le logiciel Arkaos MediaMaster qui offre de nombreux déclencheurs de lecture, par exemple par DMX, Art-Net, MA-Net, MIDI ou QWERTY.

10. Informations Techniques

Entretien du PVP X3

Pour une performance optimale et une usure minimisée, cet appareil doit être nettoyé régulièrement par l'utilisateur. Les conditions environnementales et d'utilisation peuvent exiger un nettoyage plus fréquent.

En règle générale, vous devez nettoyer l'appareil au moins deux fois par mois. L'accumulation de poussière réduit la sortie de lumière et peut entraîner une surchauffe de l'appareil. La durée de vie des sources lumineuses s'en trouve réduite et l'usure mécanique accrue.

Pour nettoyer un PVP X3, suivez les instructions ci-dessous :

1. Débranchez le panneau.
2. Attendez que l'appareil soit à la température ambiante.
3. Utilisez une brosse douce pour enlever la poussière accumulée sur les composants externes.
4. Essuyez l'extérieur des modules LED avec un chiffon doux non pelucheux imbibé d'une solution d'eau et de détergent. Appliquez uniquement par pressions légères.
5. Assurez-vous que toutes les connexions soient bien sèches avant de rebrancher les câbles d'alimentation et de signal.



Assurez-vous de bien sécher toutes les surfaces externes après les avoir nettoyé.

Renvois

Vous devez nous retourner l'appareil ainsi que tous ses accessoires en port prépayé, dans sa boîte et avec son emballage d'origine. CHAUVET ne délivre pas d'étiquette de renvoi.

Téléphonez à Chauvet et demandez un numéro d'autorisation de retour (NAR) avant de nous réexpédier l'appareil. Pour l'obtenir, il vous sera demandé de fournir le numéro du modèle, le numéro de série ainsi qu'une brève description de l'objet du retour.

Indiquez lisiblement le NAR sur une étiquette apposée sur le colis. Chauvet refusera la réception de tout appareil pour lequel aucun NAR n'a été demandé.



N'écrivez PAS le NAR directement sur le colis. Écrivez le plutôt sur une étiquette apposée de manière appropriée.

Lorsque vous avez reçu le NAR, inscrivez les informations qui suivent sur une feuille de papier que vous placerez à l'intérieur du colis :

- Votre nom
- Votre adresse
- Votre numéro de téléphone
- Le NAR
- Une courte description du ou des problèmes

Veillez à emballer l'appareil de manière adéquate. Le client sera tenu responsable de tout dommage survenant lors de l'expédition de retour et causée par un emballage inapproprié. Nous vous recommandons d'utiliser un emballage double ou celui de FedEx.



CHAUVET se réserve le droit, à sa convenance, de réparer ou remplacer tout appareil qui lui est retourné.

11. Spécifications techniques

	PVP X3	PVP X6IP
Source lumineuse	LED SMD 2121 tricolore	LED SMD 2623 tricolore
Pixels par panneau	128 x 128 (16 384 au total)	72 x 72 (5 184 au total)
Pas de pixel (entre les LEDs)	3,9 mm	6,9 mm
Densité de pixel	65 536/m ²	20 736/m ²
Taux de rafraîchissement d'affichage	1 500 Hz; 2 400 Hz disponible	1 920 Hz; 3 120 Hz disponible
Angle de vision	130°	130°
Puissance d'éclairage	2 160 NITS	5 600 NITS
Longueur d'onde rouge	625 nm	625 nm
Longueur d'onde vert	525 nm	525 nm
Longueur d'onde bleu	470 nm	470 nm
Type d'alimentation	Commutation	Commutation
Plage de tension CA	Entre 100 et 240 VCA, 50/60 Hz	Entre 100 et 240 VCA, 50/60 Hz
Sélection de tension	Universelle	Universelle
Consommation électrique à 120 V, 60 Hz	115 W; 0,96 A	160 W; 1,33 A
Consommation électrique à 208 V, 60 Hz	115 W; 0,55 A	160 W; 0,77 A
Consommation électrique à 230 V, 50 Hz	115 W; 0,50 A	160 W; 0,70 A
Chaînage électrique à 120 V, 60 Hz	20 unités	17 unités
Chaînage électrique à 208 V, 60 Hz	35 unités	28 unités
Chaînage électrique à 230 V, 50 Hz	37 unités	29 unités
Dimensions	500 x 89 x 517 mm (19,7 x 3,5 x 20,35 po)	500 x 83 x 517 mm (19,7 x 3,27 x 20,35 po)
Poids	9,34 kg (20,6 lb)	9,62 kg (21,2 lb)
Transparence	0%	8%
Matériau du boîtier	Aluminium coulé	Aluminium coulé
Branchement électrique	Neutrik powerCON	Neutrik powerCON
Connexion de données	Neutrik etherCON	Neutrik etherCON

Nous contacter

SIEGE MONDIAL - Chauvet

Informations générales

Adresse : 5200 NW 108th Avenue
Sunrise, FL 33351

Téléphone : (954) 577-4455

Fax : (954) 929-5560

Numéro vert : (800) 762-1084

Support technique

Téléphone : (954) 577-4455 (choix 4)

Fax : (954) 756-8015

Courriel : tech@chauvetlighting.com

Site internet www.chauvetlighting.com

ROYAUME-UNI ET IRLANDE - Chauvet Europe Ltd.

Informations générales

Adresse : Unit 1C
Brookhill Road Industrial Estate
Pinxton, Nottingham, UK
NG16 6NT

Téléphone : +44 (0)1773 511115

Fax : +44 (0)1773 511110

Support technique

Courriel : uktech@chauvetlighting.com

Site internet www.chauvetlighting.co.uk

MEXIQUE - Chauvet Mexico

Informations générales

Adresse : Av. Santa Ana 30
Parque Industrial Lerma
Lerma, Mexico C.P. 52000

Téléphone : +52 (728) 285-5000

Support technique

Courriel : servicio@chauvet.com.mx

Site internet www.chauvet.com.mx

CHAUVET EUROPE - Chauvet Europe BVBA

Informations générales

Adresse : Stokstraat 18
9770 Kruishoutem
Belgique

Téléphone : +32 9 388 93 97

Support technique

Courriel : Eutech@chauvetlighting.eu

Site internet www.chauvetlighting.eu

En dehors des États-Unis, du Royaume-Uni, de l'Irlande, du Mexique ou du Benelux, veuillez contacter votre revendeur. Suivez leurs instructions pour demander assistance ou pour retourner un produit. Consultez notre site Web pour trouver leurs coordonnées.



Opmerkingen bij deze editie

Deze gebruikershandleiding behandelt de beschrijving, veiligheidsvoorschriften, instelling, installatie, bediening en het onderhoud voor alle Precision Video Panels die door Chauvet worden aangeboden. Deze editie is in maart 2016 gepubliceerd.

Handelsmerken

Chauvet is een geregistreerd handelsmerk van Chauvet & Sons Inc. (d/b/a CHAUVET of Chauvet). Het CHAUVET-logo in zijn geheel, waaronder de Chauvet-naam, de gestippelde driehoek en alle andere handelsmerken in deze handleiding die van toepassing zijn op diensten, producten, of marketingstatements zijn in eigendom of licentie van Chauvet. Alle andere productnamen, logo's, merken, bedrijfsnamen, en andere handelsmerken die voorkomen binnen dit document of waar naar wordt verwezen, zijn het eigendom van hun betreffende handelsmerkhouders.

Auteursrechtvermelding

De inhoud van deze gebruikershandleiding is volledig eigendom van Chauvet inclusief, maar niet beperkt tot afbeeldingen, logo's, handelsmerken en hulpbronnen.

© **Copyright 2016 Chauvet. Alle rechten voorbehouden.**

Elektronisch uitgegeven door Chauvet in de Verenigde Staten van Amerika.

Gebruik van de handleiding

Chauvet geeft zijn klanten alleen de bevoegdheid om deze handleiding te downloaden en af te drukken voor professionele informatiedoeleinden. Chauvet verbiedt uitdrukkelijk het gebruik, kopiëren, opslaan, distribueren, wijzigen of het drukken van deze handleiding of de inhoud daarvan voor andere doeleinden, zonder zijn schriftelijke toestemming.

Afdrukken van het document

Voor het beste resultaat moeten deze documenten in kleur, dubbelzijdig op briefpapier afgedrukt worden. Als u A4-papier (210 x 297 mm) gebruikt moet u uw printer configureren om de content overeenkomstig op te schalen.

Disclaimer

Chauvet gelooft dat de informatie in deze handleiding in alle aspecten accuraat is. Chauvet aanvaardt echter geen verantwoordelijkheid voor fouten of nalatigheden in dit document. Chauvet behoudt zich het recht voor om de inhoud van dit document van tijd tot tijd te herzien of te wijzigen, zonder dat Chauvet de verplichting heeft iemand of een bedrijf op de hoogte te stellen van deze herzieningen of wijzigingen. Dit vormt op geen enkele wijze een verplichting van Chauvet om deze wijzigingen te maken. Chauvet kan een herziening van deze gids of een nieuwe editie daarvan uitgeven om deze wijzigingen op te nemen.

1. Voordat u begint

Wat is er inbegrepen

- PVP X3
 - Losse module of 8-pak met roadcase
- Neutrik powerCON stroomsnoer
- Neutrik powerCON voedingskoppelingsnoeren
 - Alleen inbegrepen bij een 8-pak
- Neutrik powerCON signaalkoppelingsnoeren
 - 1 of 8 snoeren op basis van het aantal inbegrepen PVP X3's
- Roadcase
 - Alleen inbegrepen bij een 8-pak
- Garantiekaart
- Gebruikershandleiding

Uitpakinstructies

Direct na ontvangst van dit product moet u de verpakking voorzichtig uitpakken en controleren. Controleer of u alles hierboven aangegeven onderdelen in goede toestand hebt ontvangen.

Claims




Als, na ontvangst, de doos of de inhoud (het product en meegeleverde accessoires) beschadigd lijken te zijn door de verzending of tekenen van ruwe behandeling vertonen, laat dit dan onmiddellijk weten aan de vervoerder en niet aan Chauvet. Als u dit niet tijdig doet, kan uw claim bij de vervoerder verlopen. Daarnaast moet u de verpakking en al het verpakkingsmateriaal bewaren voor inspectie.

Voor andere problemen, zoals missende componenten of onderdelen, schade die niet is veroorzaakt door de verzending, kunt u binnen 7 dagen na ontvangst van de producten een claim indienen bij Chauvet.

Conventies van deze handleiding

Conventie	Betekenis
1-512	Een waardenbereik in de tekst
50/60	Een set elkaar uitsluitende waarden in de tekst
<SET>	Een toets op het bedieningspaneel van het product
Instellingen	Een productfunctie of een menuoptie
MENU>Instellingen	Een reeks menuopties
1-10	Een reeks menuwaarden waar binnen een menu uit gekozen kan worden
Ja/Nee	Een set van twee elkaar uitsluitende menu-opties binnen een menu
ON	Een unieke waarde die binnen een menu ingevuld of geselecteerd moet worden

Symbolen

Symbolen	Betekenis
	Kritieke installatie-, configuratie- of bedieningsinformatie. Het niet opvolgen van deze informatie kan ervoor zorgen dat het product niet werkt, schade veroorzaken aan apparatuur van derden of letsel veroorzaken aan de gebruiker.
	Belangrijke installatie- of configuratie-informatie. Het niet opvolgen van deze informatie kan ertoe leiden dat het product niet functioneert.
	Nuttige informatie.

Veiligheidsinstructies

Lees de volgende Veiligheidsvoorschriften zorgvuldig door voordat u met dit product gaat werken. Deze voorschriften bieden belangrijke veiligheidsinformatie over de installatie, het gebruik en het onderhoud.



- **Dit product bevat geen onderdelen die door de gebruiker te onderhouden zijn. Een verwijzing naar onderhoud in deze gebruikershandleiding zal alleen van toepassing zijn op voldoende opgeleide gecertificeerde technici van Chauvet. Open nooit de behuizing en probeer geen reparaties uit te voeren.**
- **Als het product wordt gebruikt in een mobiele of toertoepassing, dan moet het VIP Media System worden gemonteerd in een schokbestendige (of schekgedempte) roadcase. Dit helpt schade aan de harde schijven te voorkomen.**



Raadpleeg alle geldende plaatselijke normen en regelgeving voor de juiste installatie van het product.

- Sluit het product altijd aan op een geaard circuit om elektrocutierisico's uit te sluiten.
- Het product heeft een IP43-classificatie en mag alleen worden gebruikt in omgevingen die voldoen aan die criteria.
- Als het product wordt opgehangen, moet u het altijd met een veiligheidskabel vastmaken aan een bevestigingsmiddel.
- De maximale omgevingstemperatuur bedraagt 50 °C. Gebruik het product niet bij hogere temperaturen.
- LET OP: Bij het verplaatsen van het product uit extreme omgevingen, (bijv. koude vrachtwagen naar warme, vochtige balzaal) kan er condensvorming optreden op de elektronica van het product. Om storingen te vermijden moet het product volledig kunnen acclimatiseren aan de omgeving voordat het op stroom wordt aangesloten.
- Gebruik het product niet als u schade ziet aan de behuizing, LED-modules of kabels. In elk van deze gevallen moeten de beschadigde onderdelen worden vervangen door een bevoegd technicus.
- Het product nooit openen of aanpassen.
- Om onnodige slijtage te elimineren en zijn levensduur te verlengen, gedurende perioden wanneer het product niet wordt gebruikt, moet u het product van de stroom afsluiten door een aardlekschakelaar om te zetten of door het te ontkoppelen.
- Controleer of het product is verbonden aan de juiste spanning die is geleverd in de specificaties in deze handleiding en/of de specificatiesticker op het product.
- Repareer het product nooit zelf. Reparaties die worden uitgevoerd door onopgeleide personen kunnen leiden tot schade of storingen. Neem contact op met de technische dienst van Chauvet.



- Schades die worden veroorzaakt door handmatige aanpassingen vallen niet onder de garantie. Chauvet aanvaardt geen verantwoordelijkheid voor gevolgschade die wordt veroorzaakt door onbevoegde wijzigingen of het niet bekijken van veiligheidswaarschuwingen en instructies in de handleiding.
- Dit product NIET buiten plaatsen! Deze panelen laten geen wind door en zullen werken als een zeil.



In het onwaarschijnlijke geval dat uw Chauvet-product een reparatie nodig heeft, kunt u contact opnemen met de technische dienst van Chauvet.

Verwachte levensduur van de LED-lamp

LED-lampen gaan met de loop der tijd achteruit in helderheid, voornamelijk door warmte. Als ze worden verpakt in clusters, ervaren LED-lampen hogere gebruikstemperaturen dan in ideale omstandigheden met één LED-lamp. Hierdoor kan het gebruik van geclusterde LED-lampen tot maximale intensiteit de levensduur van de LED-lamp aanzienlijk verminderen. Het elektrische en temperatuurontwerp van het PVP X3-paneel is ontworpen voor de langst mogelijk levensduur van de LED's. Onder normale gebruiksomstandigheden kan deze levensduur 50.000 uur of langer zijn. Als het verlengen van deze levensduur erg belangrijk is, kan de operationele temperatuur worden verlaagd door de ventilatie rond de armatuur te verbeteren en de omgevingstemperatuur te verlagen naar een optimale gebruikstemperatuur. Daarnaast kan het beperken van de algehele projectie-intensiteit de levensduur van de LED's verder helpen verlengen.

2. Inleiding

Productbeschrijving

De PVP X3 is onderdeel van de PVP X-serie VIP-reeks van videowandproducten. Ter aanvulling op de PVP X3, omvat deze serie de PVP X6IP.

Elk model is een videopaneel dat bestaat uit meerdere driekleurige LED's. Wanneer meerdere panelen worden geassembleerd en aangesloten (signaal en vermogen), wordt de volledige configuratie een modulair videowandontwerp.

De aluminium gietstalen constructie maken de PVP X3 betrouwbaar en stevig, zowel als eenvoudig te installeren en te demonteren. Verticaal of horizontaal kunnen meerdere panelen gemonteerd worden en elk model is onderling verwisselbaar. Deze flexibiliteit biedt enkele modulaire ontwerp mogelijkheden.

Het PVP-videowandsysteem wordt aangestuurd met een PC en CHAUVET LED Studio-software. Raadpleeg de gebruikershandleiding voor CHAUVET LED Studio voor uitgebreide informatie en instructies over het gebruik van CHAUVET LED Studio.

Eigenschappen

- Modulair videopaneel met 3,9 mm pixelafstand, met SMD 2121 LED's
- In elk paneel zijn roestvrijstalen onderdelen geïntegreerd voor stevige vergrendeling tussen de panelen.
- De stevige gegoten aluminium constructie maakt deze panelen zeer duurzaam voor de touring/verhuurmarkt.
- De magnetische LED-modules zorgen ervoor dat de vervanging snel en moeiteloos verloopt, zowel onderweg als op de reparatiebank.
- De driekleurige LED's met volledig zwarte behuizing zorgen voor het hoogst denkbare contrast en zwartniveaus.
- Computergesteerde CNC-frezen bieden ultieme precisie voor naadloze modulaire aansluitingen
- Werkt met VIP Driver en VIP Signal Distributor
- Gebruik het met de X-series Rig Bar (RB-X50CM) en (RB-X200CM) om de panelen op te hangen of met de M12-schroefinzetstukken op de achterzijde van elk paneel

Extra producten

- VIP Driver (vereist)

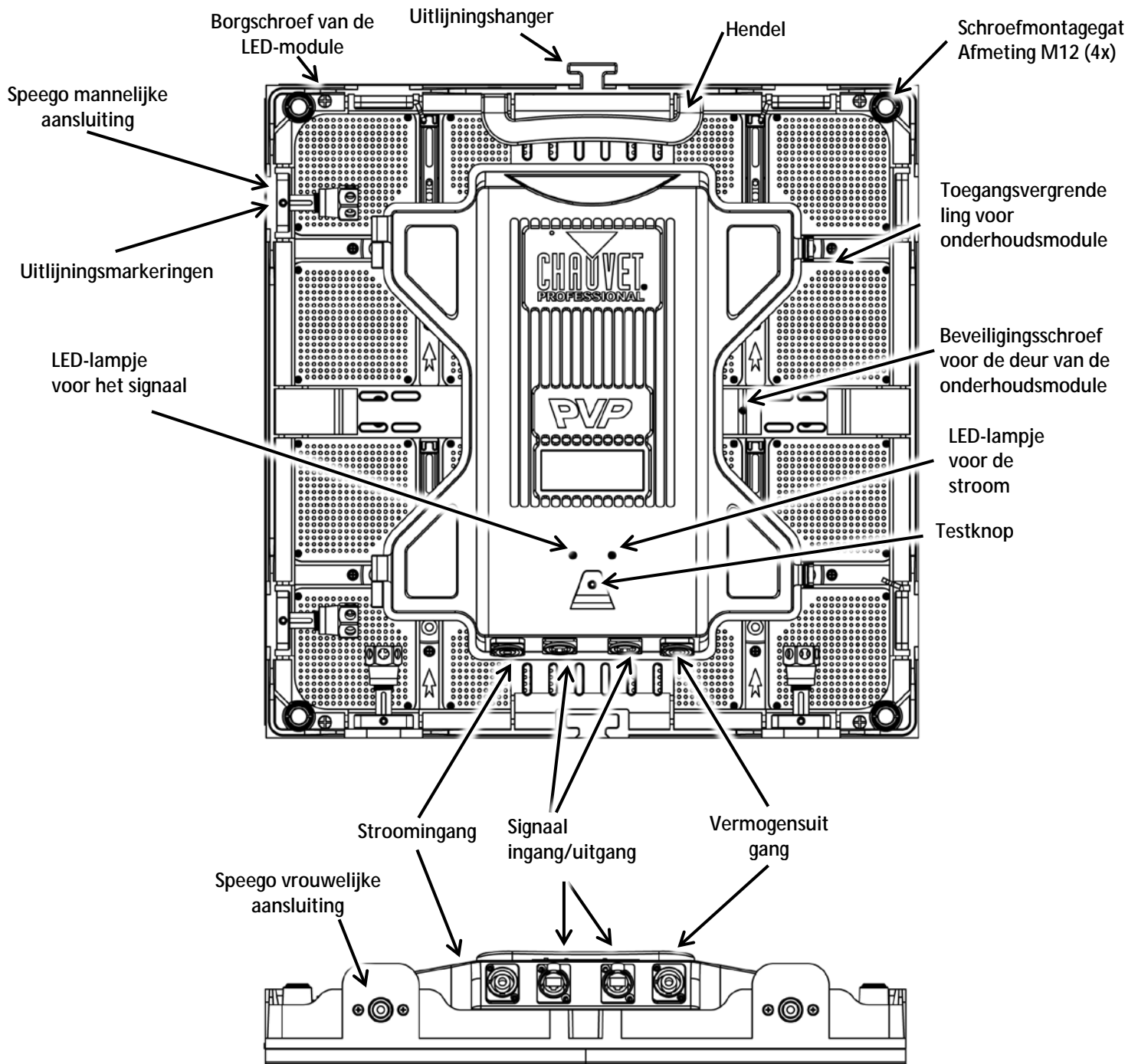
Optionele accessoires

- VIP Signal Distributor
- PVP X-series Rig Bar (RB-X50CM) en (RB-X200CM)
- VIP Media Server Pro
- VIP 5162b Signal Processor

Beschikbare signaal- en voedingskabels (optioneel)

- Signaalkabels (Neutrik etherCON signaalverlengingen)
 - ETHERCONEXT5FT
 - ETHERCONEXT10FT
 - ETHERCONEXT25FT
 - ETHERCONEXT50FT
- Voedingskabels (Neutrik powerCON verlengsnoeren)
 - POWERCONEXT5FT
 - POWERCONEXT10FT
 - POWERCONEXT25FT
 - POWERCONEXT50FT

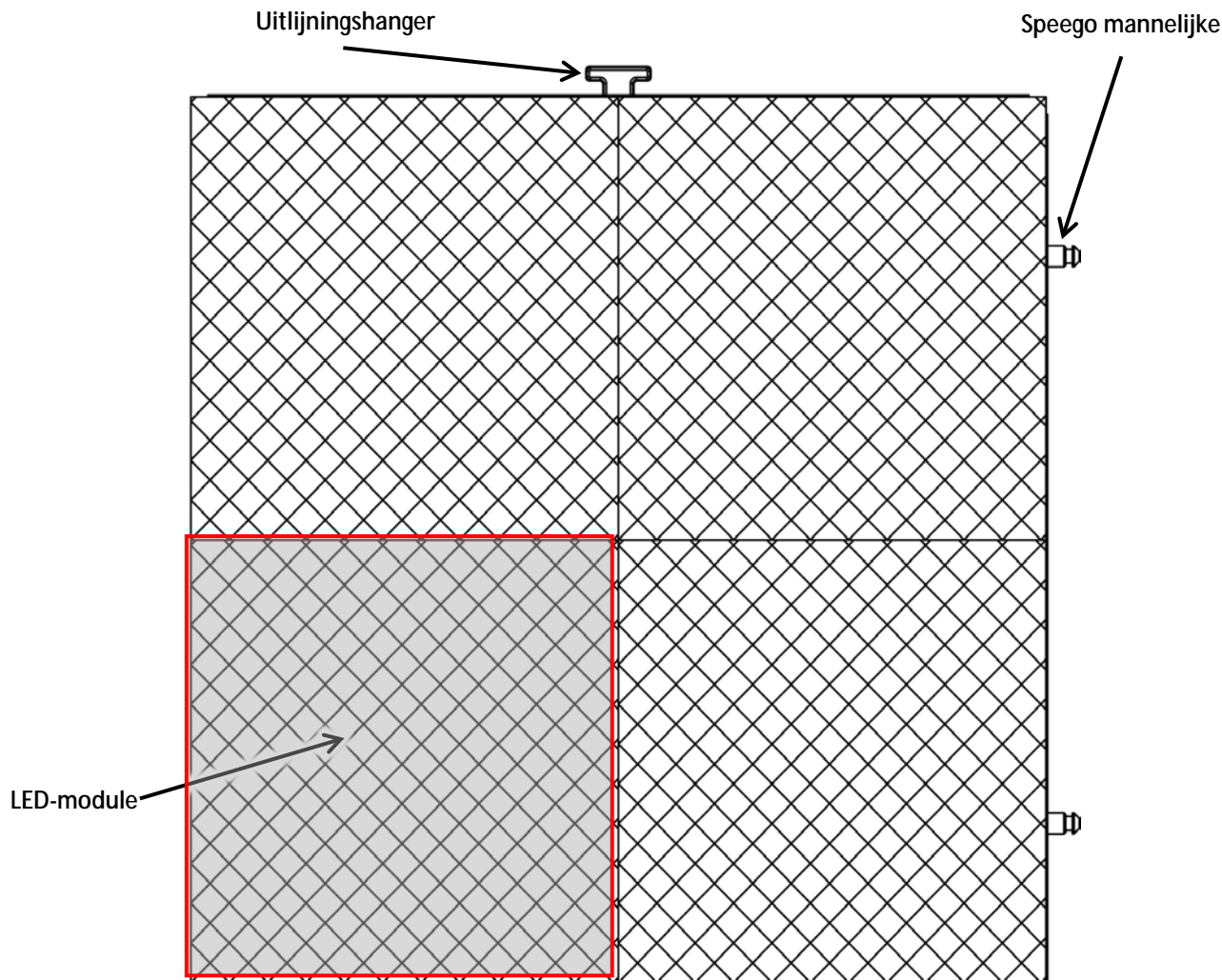
Productoverzicht: PVP X3



Het verschil tussen elk PVP-model is de pixelafstand (ruimte) tussen de LED's en het aantal pixels (LED's in elke rij en kolom. De behuizing en basisonderdelen zijn identiek.



Waarschuwing: De vergrendeling voor de onderhoudstoegang is alleen voor gebruik door bevoegde technici van Chauvet! Het openen hiervan kan de garantie van Chauvet ongeldig maken.



PVP-pixels per paneel

Hoewel elke PVP dezelfde buitenafmetingen heeft, verschilt het aantal LED-pixels per paneel. Elke pixel is 1 driekleurige LED. De volgende tabel geeft het aantal pixels per paneel in elke PVP. Het modelnummer (bijv., X3) geeft de pixelafstand in millimeter in elke lichtstrook aan voor dat PVP-model. Raadpleeg voor uitgebreide specificaties de tabel [Technische specificaties](#) tabel aan het einde van deze gebruikershandleiding.

	PVP X3
Pixels per paneel	128 x 128
Totaal aantal pixels	16.384
Pixels per LED Module	64 x 64
Totaal Pixels LED Module	4.096
LED Module Afmetingen	250 x 250 mm



Voor het berekenen van het aantal panelen, zowel horizontaal als verticaal, dat wordt ondersteund door een enkele VIP Driver, gebruikt u:

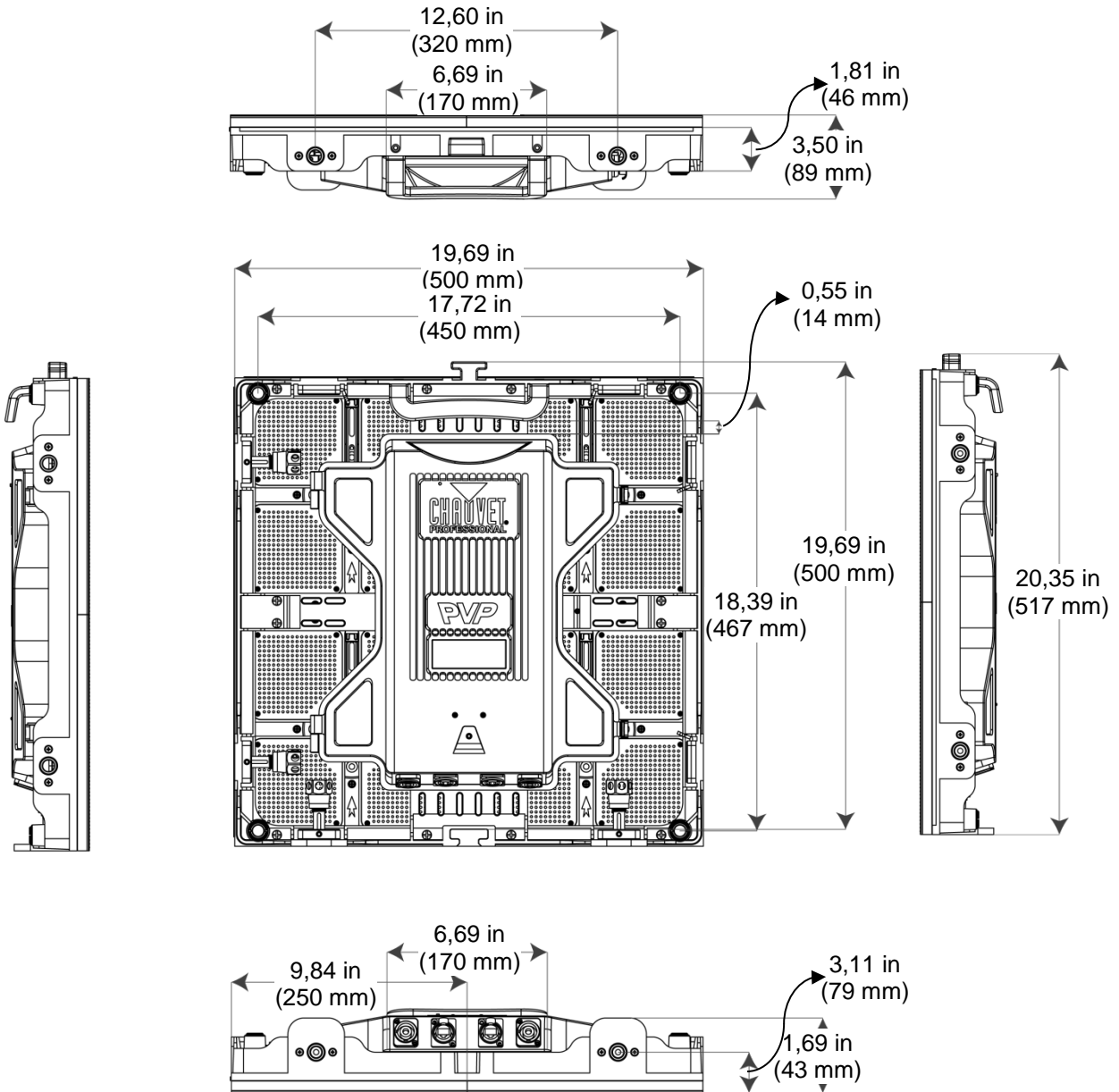
- Het aantal pixels per paneel.
- De schermresolutie die u voor uw videowanddisplay wilt gebruiken.

De VIP Driver kan alleen werken met een Chauvet VIP videowandsysteem. Verderop in deze handleiding staan diagrammen voor de aansluiting van de PVP X3-panelen en de VIP Driver. Voor uitgebreide informatie over de VIP Driver en paneelberekeningsvoorbeelden raadpleegt u de VIP Driver beknopte referentiegids.

Afmetingen van het product



Elk PVP-model in de serie heeft een behuizing met dezelfde buitenafmetingen.



3. Instelling

AC-stroom

Elke PVP X3 heeft een voeding met automatisch bereik die werkt met een ingangsspanning van 100–240 VAC, 50/60 Hz. Om de vermogensvraag van elke PVP X3 vast te stellen, raadpleegt u het etiket dat aan het product is bevestigd. U kunt ook de kaart [Technische specificaties](#) in deze handleiding raadplegen.

Het gemelde spanningsvermogen geeft het maximale stroomverbruik aan gedurende normale werking. Voor meer informatie kunt u Maten aardlekschakelaars downloaden van de website van Chauvet: www.chauvetprofessional.com.



- **Sluit dit product altijd aan op een beveiligd circuit met elektrische aarding om het risico op elektrocutie of brand uit te sluiten.**
- **Om onnodige slijtage te elimineren en zijn levensduur te verlengen, gedurende perioden wanneer het product niet wordt gebruikt, moet u het product van de stroom afsluiten door een aardlekschakelaar om te zetten of door het te ontkoppelen.**



Sluit dit product nooit aan op een regelweerstand (variabele weerstand) of dimmercircuit, zelfs als het regelweerstand- of dimmerkanaal alleen als een 0 tot 100%-schakelaar dient.

AC-stekker

Elke PVP X3 wordt geleverd met een power linking-snoer om stroom aan te sluiten tussen panelen; en een stroomingangssnoer.

Deze kabel heeft een powerCON-stekker voor aansluiting van de PVP X3 en een Edison-stekker voor voeding. Gebruik onderstaande tabel als een referentiediagram voor de bedrading van een nieuwe stekker.

Aansluiting	Snoer (VS)	Snoer (Europa)	Schroefkleur
AC Live	Zwart	Bruin	Geel of messing
AC Neutraal	Wit	Blauw	Zilver
AC Aarde	Groen/geel	Groen/geel	Groen

Power Linking

Alle panelen binnen de PVP-serie ondersteunen power linking. Raadpleeg de volgende tabel voor specificaties over elk paneel.

	PVP X3
@ 120 V, 60 Hz	20
@ 208 V, 60 Hz	35
@ 230 V, 50 Hz	37



Raadpleeg alle geldende plaatselijke normen en regelgeving voor de juiste installatie van dit product.

4. Montage

Oriëntatie

Elke PVP X3 is vervaardigd van gegoten aluminium. Dit zorgt ervoor dat elk paneel stabiel is en eenvoudig te plaatsen. Elk paneel heeft ook een handige ingebouwde hendel die zich op de bovenzijde, achterop het paneel bevindt, met een uitlijningsnippel bovenop. Met deze combinatie kunt u elk paneel eenvoudig oppakken en vasthouden terwijl u de panelen monteert en ermee werkt.

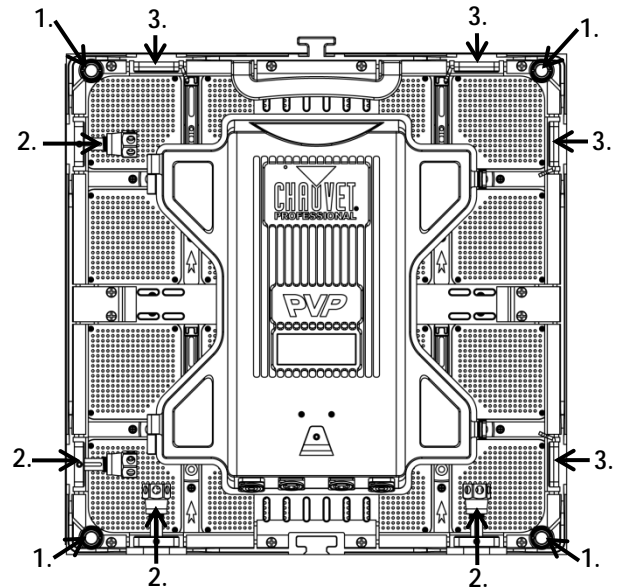
De PVP X3's kunnen worden samengesteld tot verschillende modulaire ontwerpen. De panelen bovenaan kunnen hangen aan een spant of een ander stabiel oppervlak. Hang het altijd in een veilige positie met voldoende ruimte voor ventilatie, configuratie en onderhoud.

Chauvet raadt hieronder de volgende algemene richtlijnen aan.

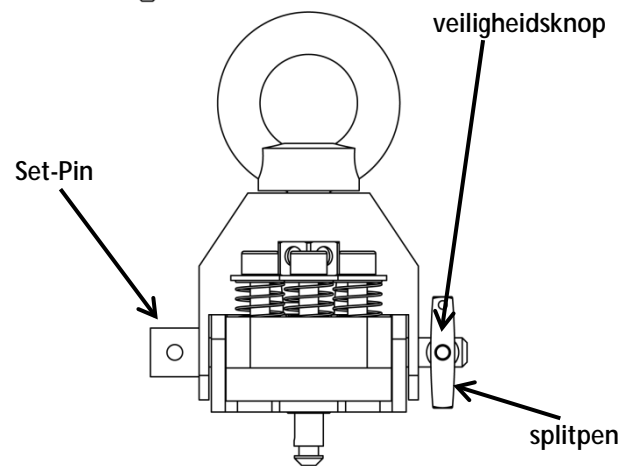
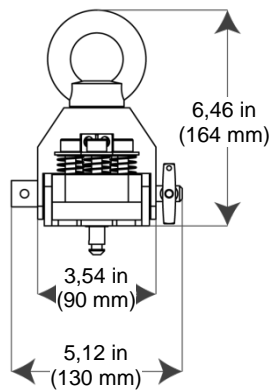
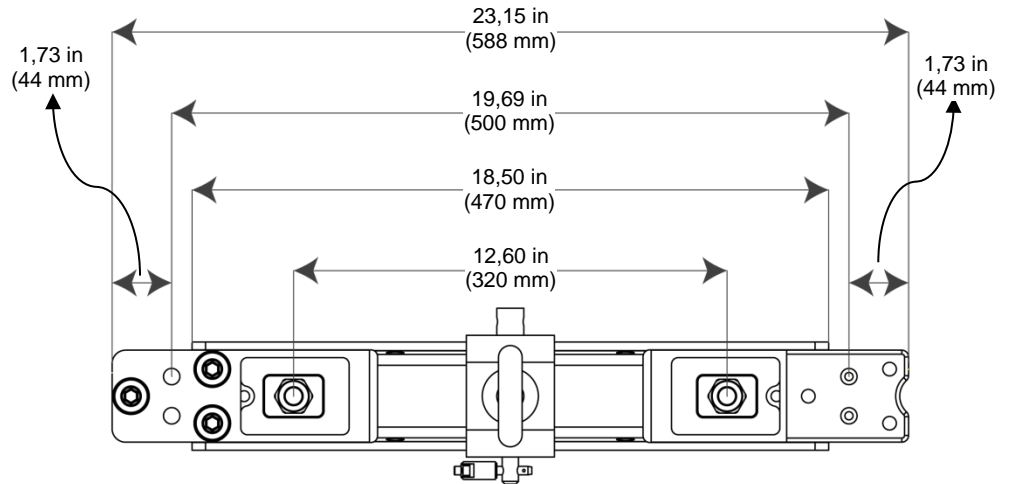
- Bij het kiezen van een plaatsingslocatie moet u rekening houden met eenvoudige toegang voor bediening en routine-onderhoud.
- Uit de buurt van ontvlambaar materiaal hangen, zoals ook is aangegeven in de sectie [Veiligheidsvoorschriften](#).
- Nooit monteren op plekken waar regen, extreme temperatuurwisselingen of beperkte ventilatie dit product kunnen beïnvloeden.
- Controleer of de constructie waaraan u de panelen hangt het gewicht kan dragen. Zie de [Technische specificaties](#) voor de gewichtsvereiste van elke PVP X3.

Bevestigingspunten

1. Schroefmontage
Gatmaat M12 (4x)
2. Speego mannelijk
Aansluiting
3. Speego vrouwelijk
Aansluiting



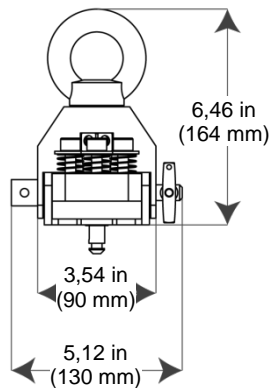
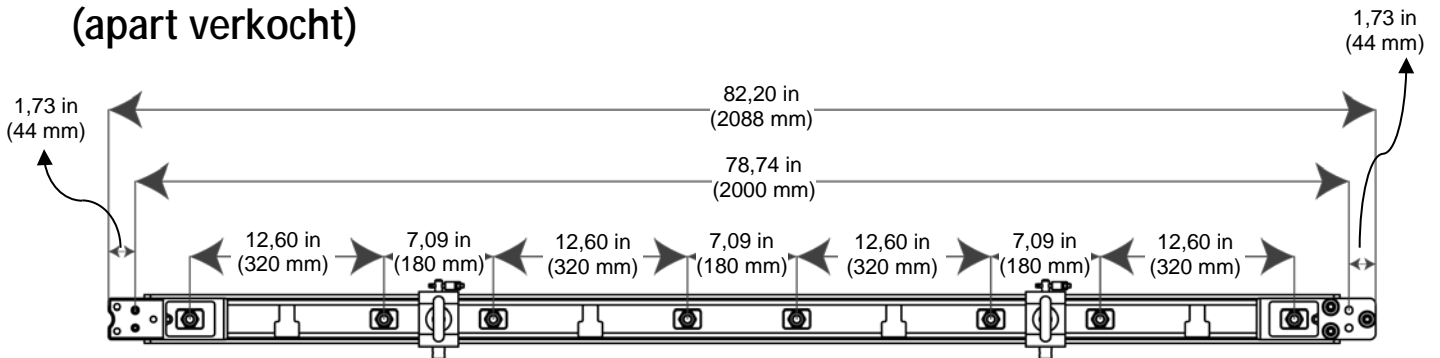
**RB-X50CM
Opbouwset
(apart verkocht)**



Eye Bolt Installatie

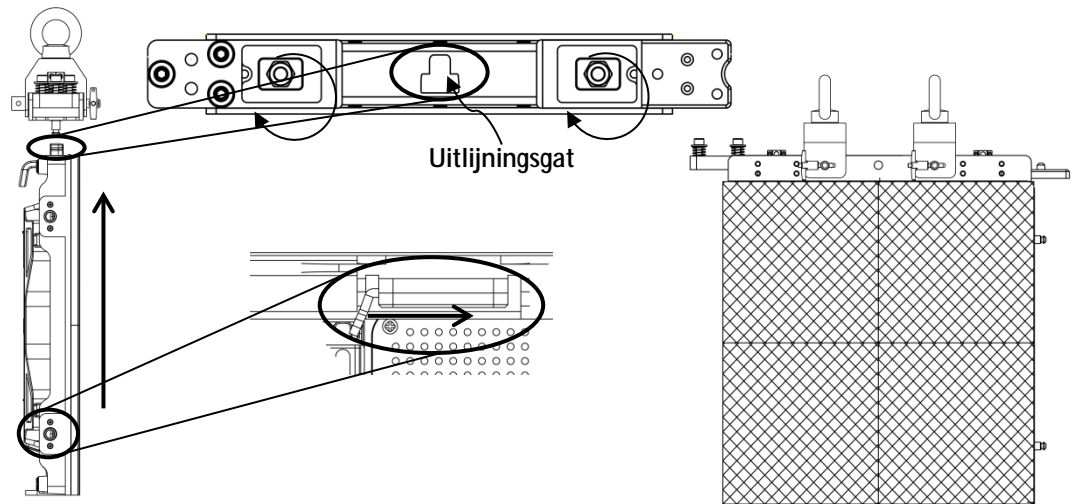
1. Verwijder spie-pin van set-pin door de knop veiligheid eerst op in het midden van het handvat.
2. Verwijder set-pin van oogbout.
3. Lijn het oog bout over een van de twee gaten op de rig bar.
4. Plaats de set-pin voor het oog bout vast te zetten aan het tuig bar
5. Plaats de spie-pin in de set-pin.

RB-X200CM
Opbouwset
(apart verkocht)



Rekening mee dat de RB-X2000CM omvat 2 oogbout kits voorgeïnstalleerd.

*Opbouwset/
paneelmodule*



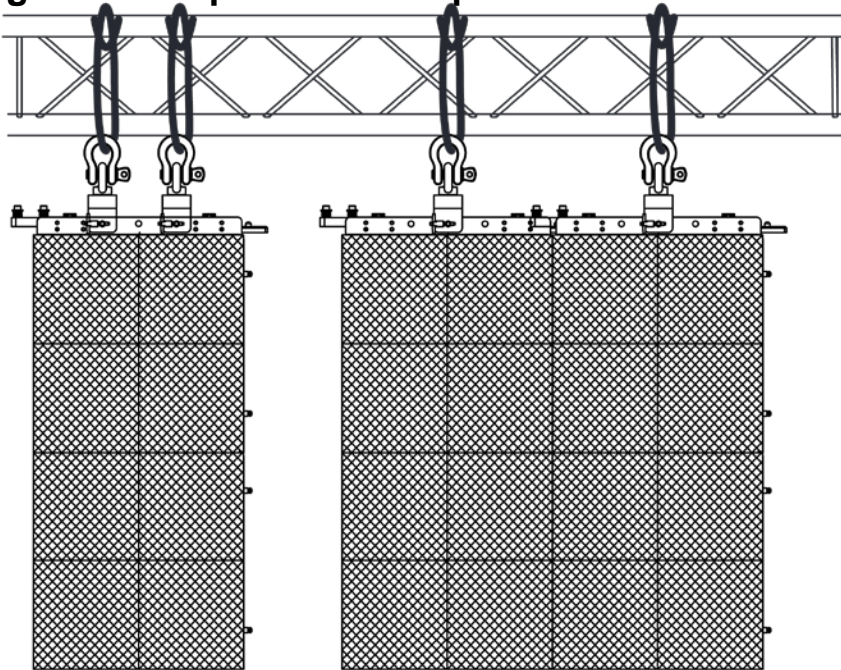
1. Steek de uitlijningshanger in het uitlijningsgat en duw het paneel naar voren.
2. Druk beide mannelijke Speego-aansluitingen in de vrouwelijke Speego-aansluitingen en draai ze met de klok mee om het paneel aan de opbouw balk vast te maken.
3. Voer deze stappen in omgekeerde volgorde uit om het paneel van de opbouw balk te verwijderen. Druk op het lipje op de vrouwelijk Speego-aansluiting om de mannelijke Speego te ontgrendelen



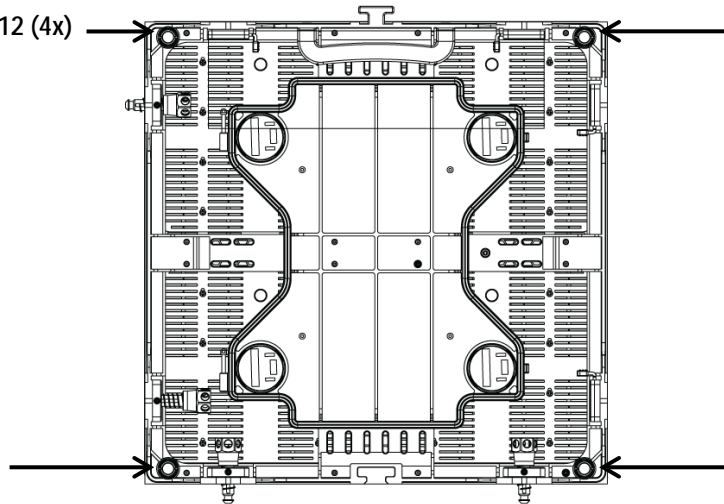
De uitlijningshanger op de PVP X3 is ontworpen om het gewicht van het paneel tijdelijk te houden, zodat de gebruiker het paneel kan uitlijnen en vastmaken.

Spantinstallatie Raadpleeg het volgende diagram voor spantinstallatie. Chauvet biedt de PVP X-Series Rig Bar aan (apart verkocht), die specifiek is ontworpen voor het ophangen van de panelen.

Bevestiging aan een spant met de optionele PVP X-Series Rig Bar



Schroefmontage Gatmaat M12 (4x)



De 4-M12 bouwvormen zijn bedoeld voor een inbouw installatie met een vlakke ondergrond achter de video panelen. Alle 4 montageposities voor het paneel moet worden gebruikt om de integriteit te handhaven. De M12 bevestigingen zijn niet bedoeld voor opknoping of ophangen aan een truss of een andere overhead structuur.

Om de panelen te schorten / hangen uit een truss of een andere overhead structuur, dient men gebruik te maken van de X-serie Rig Bars (RBX-50CM of -200CM apart verkocht).



De hierboven getoond illustraties zijn slechts voorbeelden. Raadpleeg alle geldende plaatselijke normen en regelgeving voor de juiste installatie van het product.

Bevestigingsapparatuur PVP X-serie

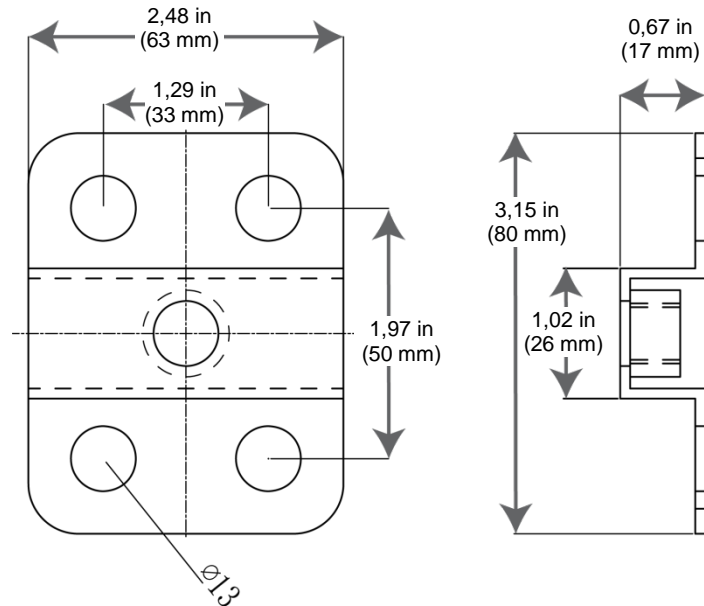
Chauvet biedt de bevestigingsapparatuurset voor de X-serie aan (apart verkocht), die specifiek is ontworpen voor het ophangen van paneelgroepen. Sets worden verkocht in verpakkingen van 10.

Let op: Deze beugels zijn bedoeld voor gebruik met stalen spanten of een 1" (25 mm) stalen vierkante buis (geen van beide is verkrijgbaar bij Chauvet).

Elke set bevat:

- 1 beugel
- 4 M12x55 schroeven
- 4 M12x20 schroeven
- 4 stalen platte ringen
- 4 stalen borgringen

Beugelafmetingen

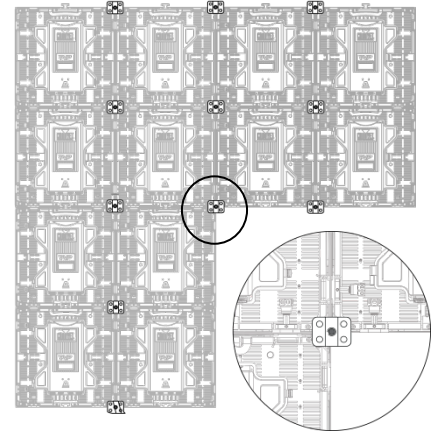
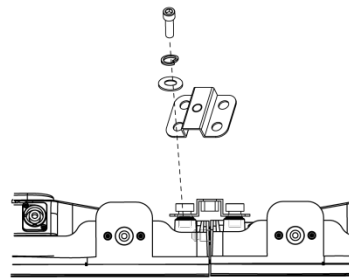
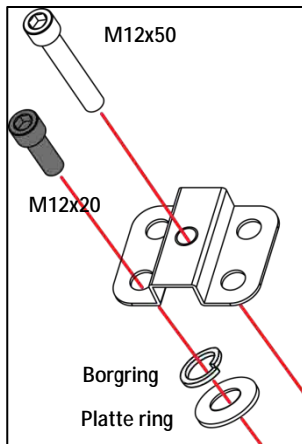


De 4-M12 montageposities zijn bedoeld voor vlakke montage-installatie op een plat oppervlak achter de videopanelen. Alle 4 montageposities voor het paneel moeten worden gebruikt om de integriteit van de constructie te behouden. De M12-montagepunten zijn niet bedoeld voor ophanging vanaf een spant of een andere hoge constructie.

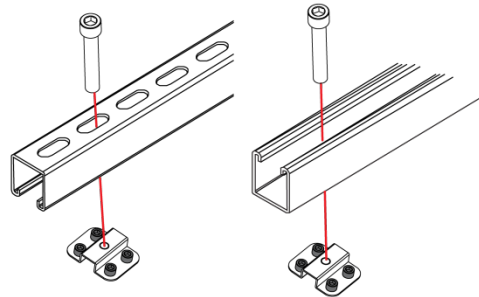
Methode 1: Montage aan stalen steunen (of andere oppervlakken)

Stalen steunen of gelijksoortig oppervlak moet apart worden gekocht. Zie beugelafmetingen voor absolute maatvoering.

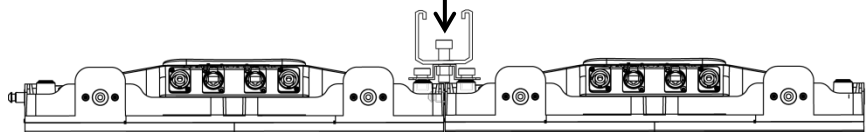
1. Gebruik M12x20 schroeven, met zowel een borgring als een platte ring om de beugels vlak op bevestigde panelen te bevestigen. Zie afbeeldingen



2. Plaats de steunen op de beugels met een M12x50 schroef; elke optie is aanvaardbaar.



3. Ten slotte plaatst u de M12x50 schroeven in het centrale schroefdraad om de panelen vast te schroeven op de steunen.



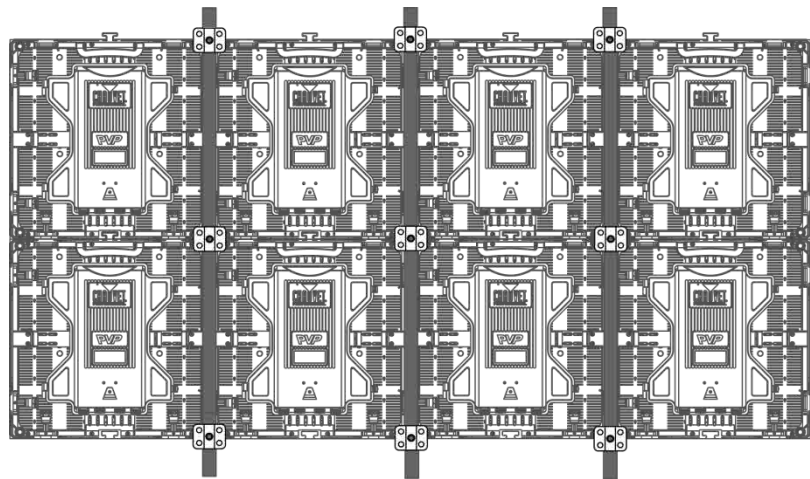
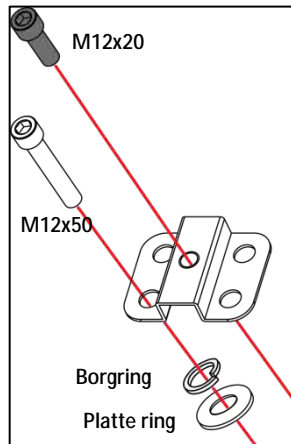
De hierboven getoond illustraties zijn slechts voorbeelden. Raadpleeg alle geldende plaatselijke normen en regelgeving voor de juiste installatie van het product.



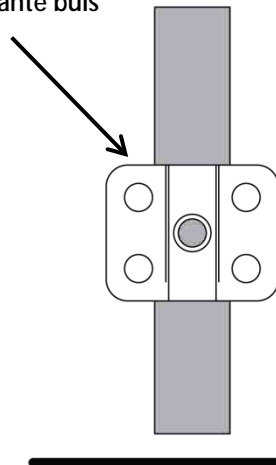
Zorg ervoor dat een montageoppervlak dat u wilt gebruiken in staat is om het gewicht van alle te monteren panelen te ondersteunen. Gebruik alle aanwezige montagepunten.

Methode 2: Montage aan stalen buis

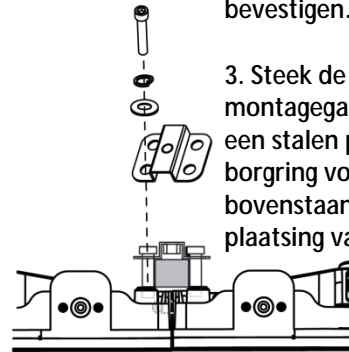
1" (25 mm) robuuste, vierkante stalen buis of gelijkwaardig moet apart worden verkocht. Zie beugelafmetingen voor absolute maatvoering.



1. Plaatsing van beugels op 1" (25 mm) stalen vierkante buis

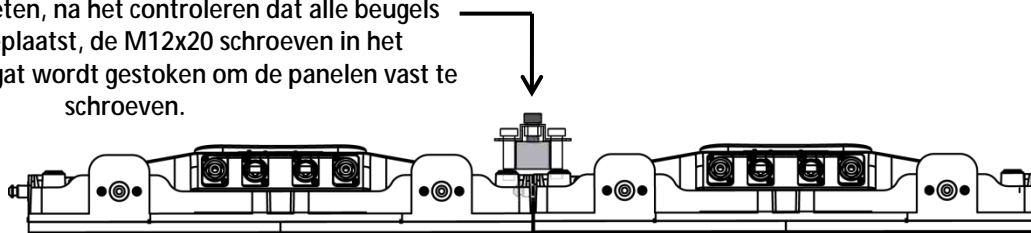


2. Lijn de beugels en de stalen buis uit om de panelen stevig te bevestigen.



3. Steek de M12x50 schroeven in montagegaten x4, met behulp van een stalen platte ring en een stalen borgring voor elk gat. Zie bovenstaande afbeelding voor plaatsing van de beugel.

4. Ten slotte moeten, na het controleren dat alle beugels correct zijn geplaatst, de M12x20 schroeven in het middelste schroefgat wordt gestoken om de panelen vast te schroeven.



De hierboven getoond illustraties zijn slechts voorbeelden. Raadpleeg alle geldende plaatselijke normen en regelgeving voor de juiste installatie van het product.

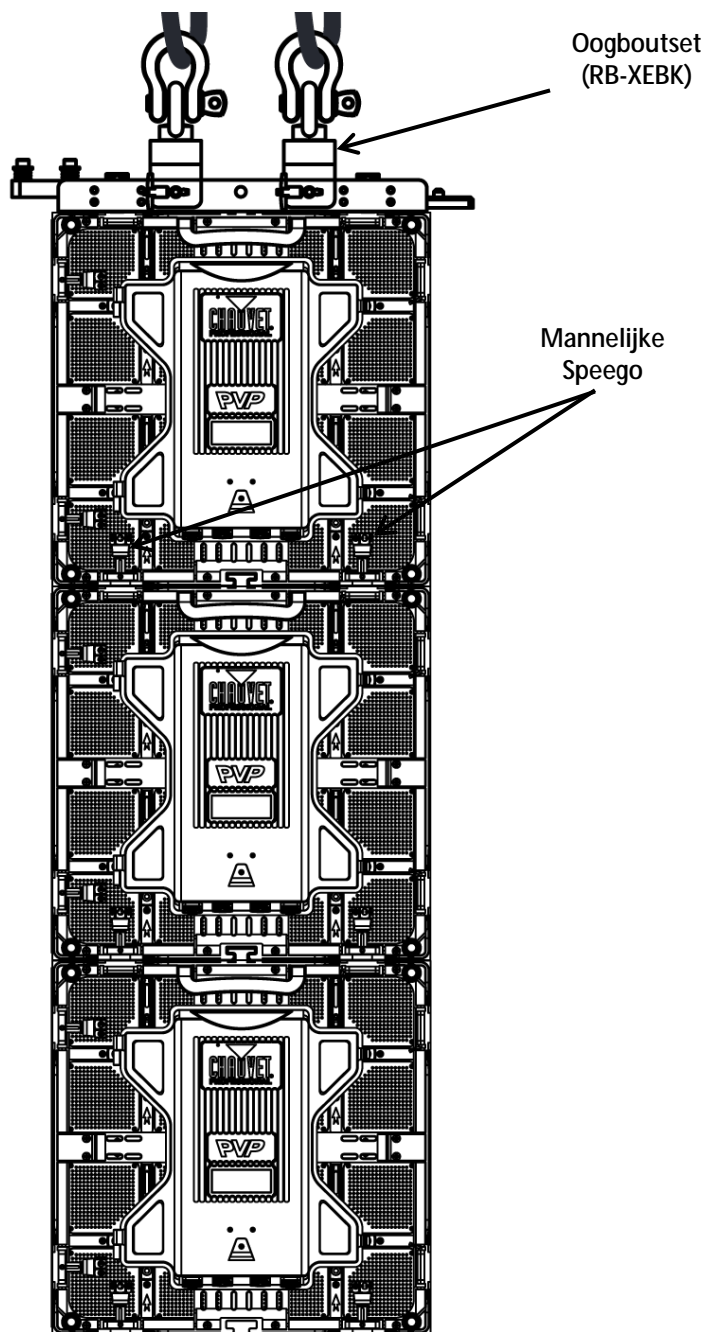


Zorg ervoor dat een montageoppervlak dat u wilt gebruiken in staat is om het gewicht van alle te monteren panelen te ondersteunen. Gebruik alle aanwezige montagepunten.

5. Samenvoegen van elke PVP X3 (Creëren van een modulair ontwerp)

Verticaal samenvoegen van de panelen

Elke PVP X3 kan eenvoudig verticaal aan een spant worden samengevoegd met behulp van een optionele opbouw balk met een extra oogboutstekker (apart verkocht) en de 2 vrouwelijke speego-aansluitingen in de bovenhoeken van elk paneel. Gebruik de mannelijke speego-aansluitingen onderaan elk paneel om extra panelen aan te sluiten. Deze aansluitingen blijven verzonken als ze niet gebruikt worden.

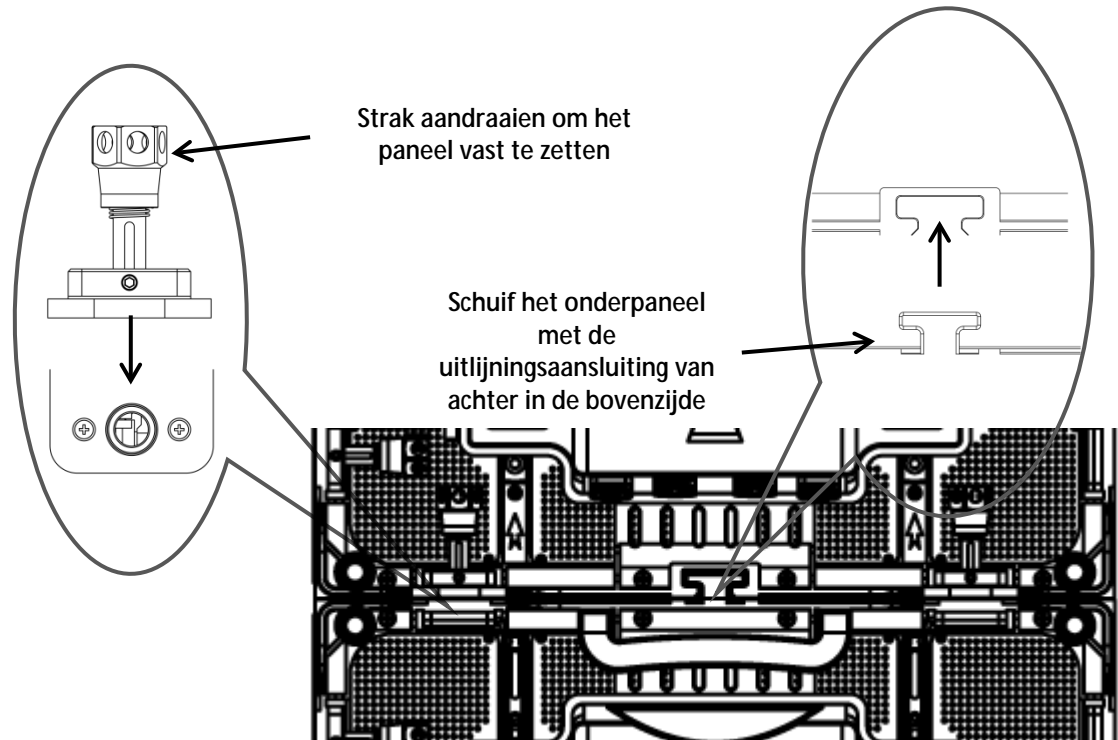


Als de PVP X-Series Rig Bar wordt gebruikt moeten panelen met de extra oogboutset worden geïnstalleerd zoals hierboven is afgebeeld op een installatie met één zuil.

*Verticale
paneelverbinding*

Gebruik de volgende instructies om de panelen verticaal samen te voegen:

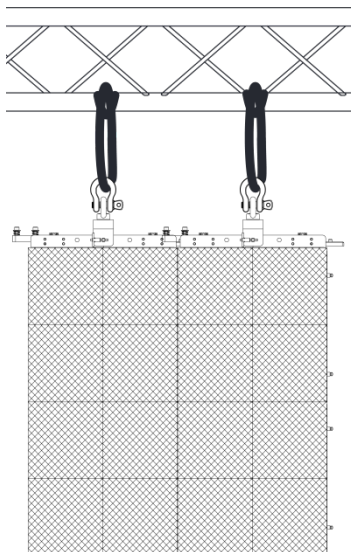
1. Lijn de uitlijningsaansluiting bovenaan en onderaan elk paneel met elkaar uit.
2. Duw de mannelijke speego-aansluitingen in de vrouwelijke speego-aansluitingen.
3. Draai de knoppen vast om het op zijn plek te houden.



Samenvoegen van elke PVP (Creëren van een modulair ontwerp)

Horizontaal samenvoegen van de panelen

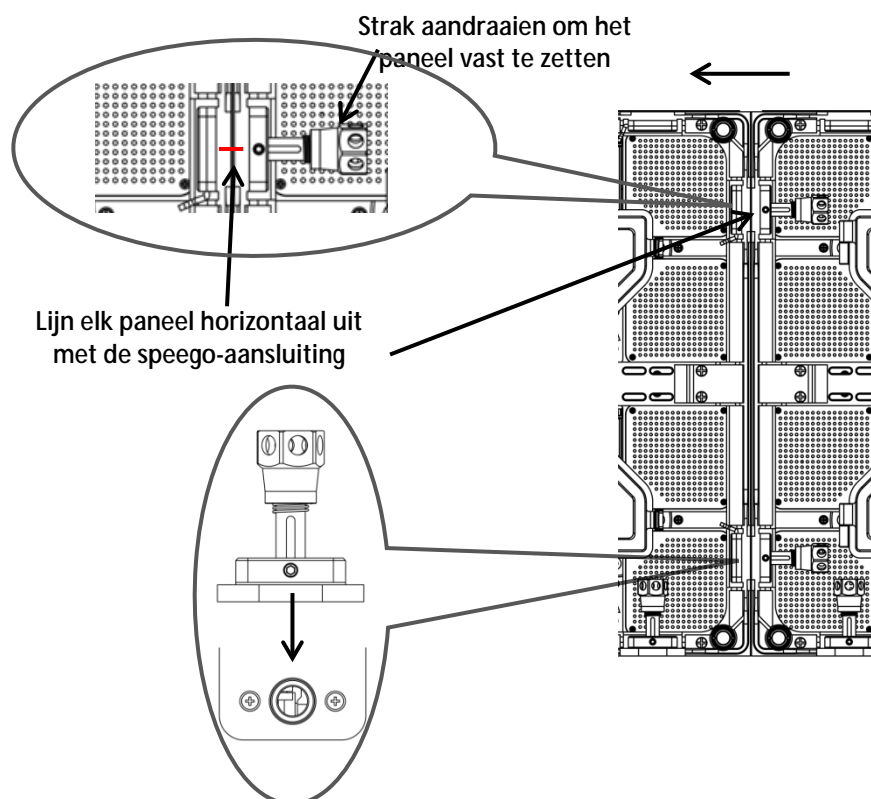
Elke PVP X3 kan eenvoudig horizontaal worden samengevoegd met de 2 vergrendelingsknoppen op de binnenste, bovenste en onderste linkerzijde van elk paneel.



Horizontale paneelverbinding

Gebruik de volgende instructies om de panelen horizontaal samen te voegen:

1. Lijn elk van de mannelijk speego-aansluitingen van het paneel uit met de overeenkomende vrouwelijke aansluitingen op de panelen die toegevoegd worden.
2. Druk de mannelijke speego-aansluitingen in de vrouwelijke speego-aansluitingen op elke zijde van de panelen.
3. Draai de knoppen vast om het op zijn plek te houden.



6. Verbinden (bekabelen) van elke PVP X3

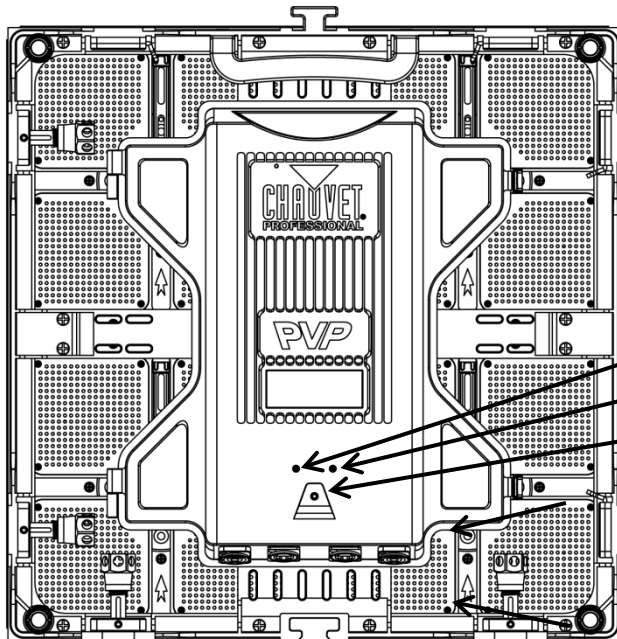
Testen van signaal- en stroomaansluitingen

Elke PVP X3 heeft 2 stopcontacten en 2 signaalpoorten.

- De stroom- en signaalaansluitingen bevinden zich op de onderzijde van de onderhoudsmodule van elk paneel.
- De signaalpoorten zijn onderling verwisselbaar te gebruiken.
- Elke PVP X3 heeft LED-lampjes.
- Elk paneel geeft een succesvolle stroomaansluiting aan wanneer het stroomlampje rood blijft.
- Elk paneel geeft ontvangst van het videosignaal aan wanneer het LED-lampje voor het signaal groen knippert. Dit lampje moet groen knipperen voor een goede ontvangst.

Achterpaneelaanzicht

Aanzicht van de onderzijde van de



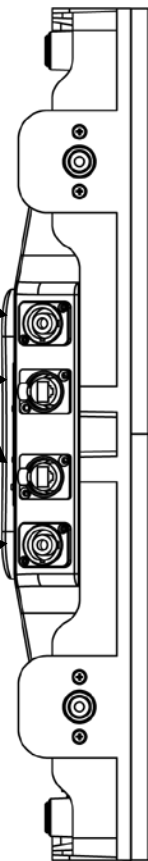
Vermogensuitgang

Signaalverbindingen

LED-lampje voor het
LED-lampje voor de

Testknop

Stroomingang



Gebruik van de testknop van de PVP X3

Elke PVP X3 heeft ook een testknop die wordt gebruikt om te controleren of alle LED's werken. Gebruik de testknop op elk paneel om een zelftest uit te voeren. Bij het zelftesten moet u de test individueel voor elke PVP X3 uitvoeren. U hoeft geen verbinding te maken met een signaal of software te gebruiken.



Bij het gebruiken van de testknop moet u controleren of de PVP X3 niet is verbonden met de VIP Driver.

Om de testknop te gebruiken moet u de stroom aansluiten, maar mag u nog **niet** de signaalkabels aansluiten. Druk op de testknop om door de verschillende weergaveconfiguraties van de LED-lamp te schakelen.

Aansluiten van stroom- en signaalkabels

Het signaal aansluiten tussen de samengevoegde panelen

De volgende onderdelen leveren informatie en diagrammen over het verbinden van signalen en stromen tussen panelen.

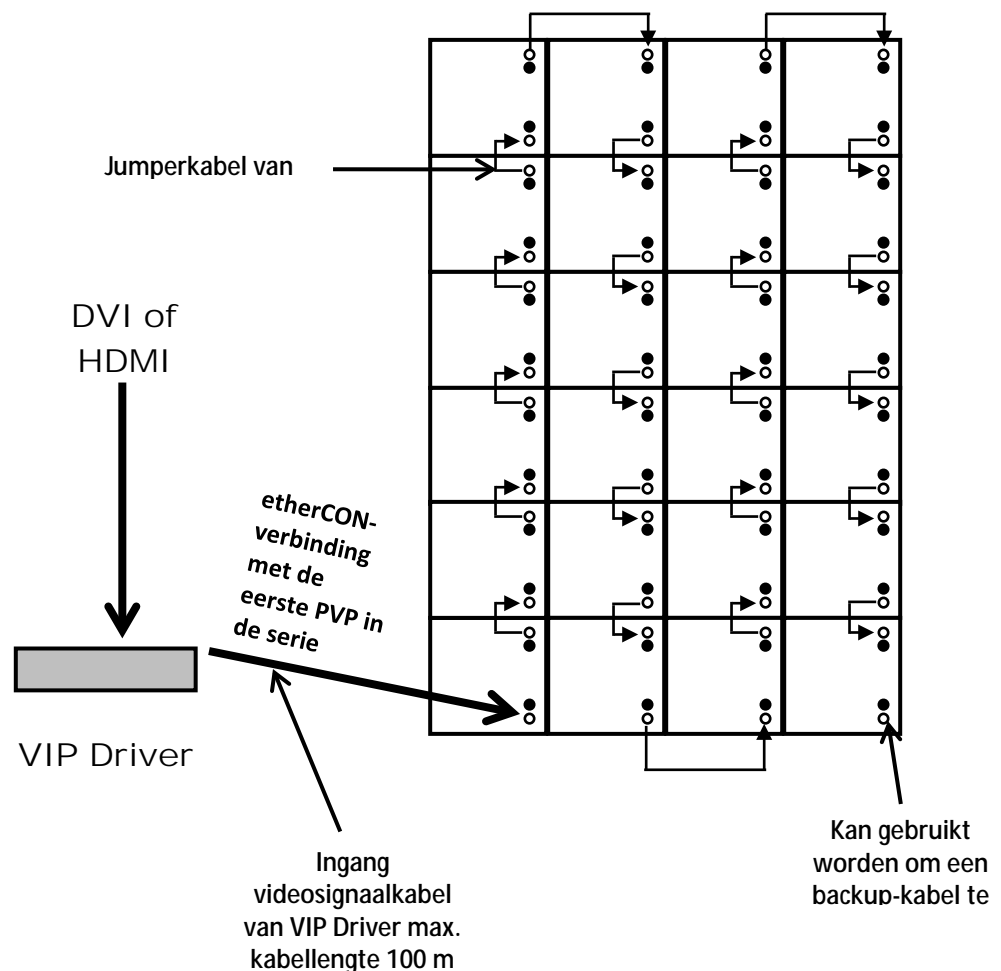
Raadpleeg de onderdelen [Inleiding](#) of [Werking](#) in deze gebruikershandleiding voor beschikbare kabels en artikelnummers.

Paneelaansluitingen van de signaalkabel kunnen verschillende configuraties gebruiken. De basisconfiguratie voor het verbinden van het signaal van het ene paneel tot het volgende is als volgt.

1. Het bronsignaal is verbonden aan het eerste paneel.
2. Daarna wordt een signaalkabel aangesloten vanaf het eerste paneel.
3. De aansluitingen blijven in serie verbonden totdat alle panelen zijn verbonden.
4. De route die wordt gebruikt om de signaalverbindingen te maken kan verschillen.

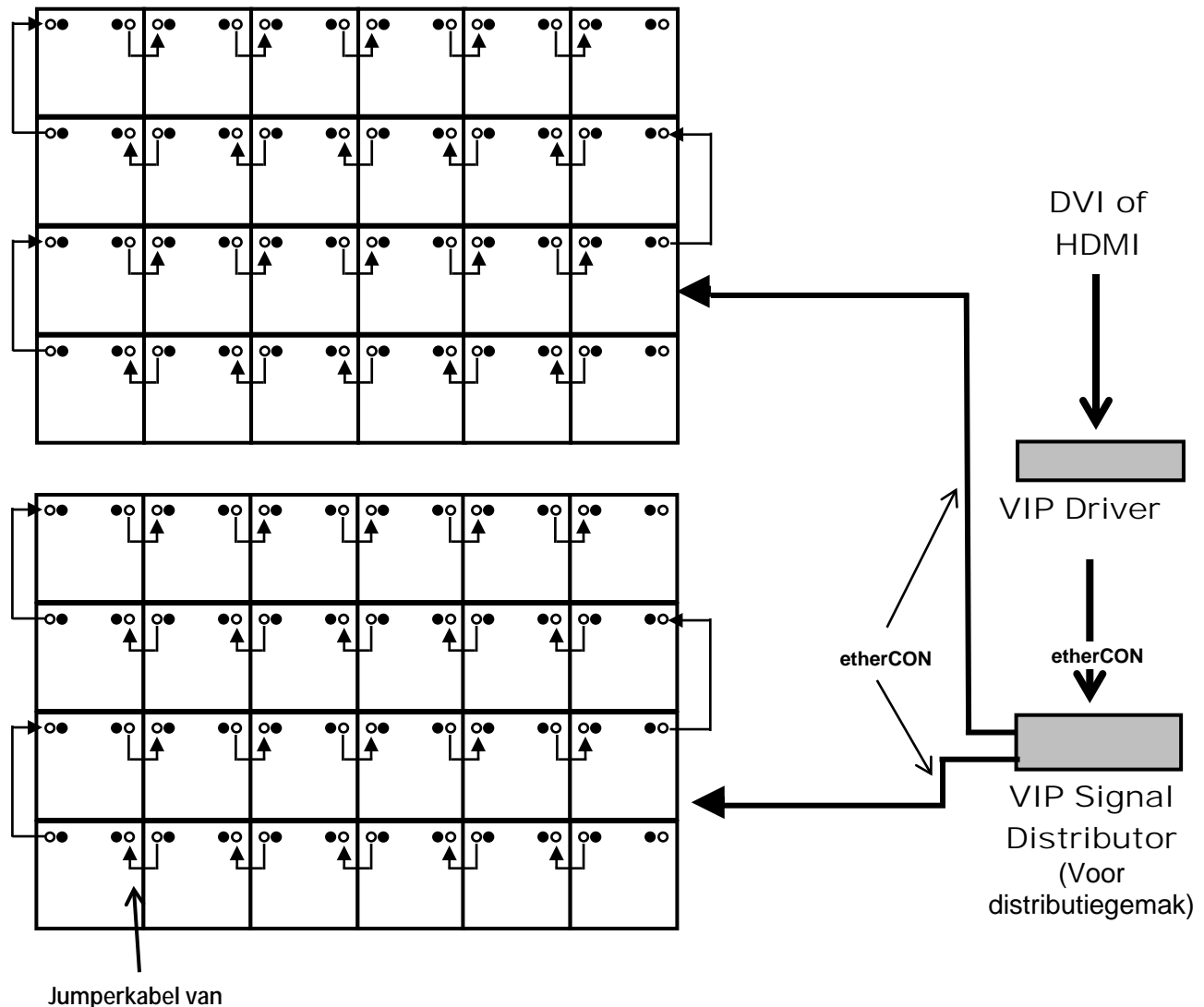
De volgende diagrammen zijn aanbevelingen voor signaalkoppelingen tussen panelen.

Dit diagram toont een voorbeeld van een eenvoudige signaalaansluiting.



Het volgende diagram toont een voorbeeld van een grotere signaalaansluitingsconfiguratie. Dit videowand-ontwerpvoorbeeld gebruikt:

- Een binnenkomende signaalaansluiting naar de VIP Driver.
- VIP Driver-verbinding naar de VIP Signal Distributor.
- Signaalkabelverbindingen, zoals bepaald door het aantal panelen in het videowandontwerp en de gewenste layout, een opstellinggemak.



In deze configuratie kan de backup van de driver worden verbonden met het laatste paneel in een groep panelen of met een vrije verbinding met de VIP Signal Distributor, waaronder ingang "B."

Verbinden (bekabelen) van elke PVP

Het vermogen aansluiten tussen de samengevoegde panelen

Paneelaansluitingen van de vermogenskabel gebruiken ook verschillende configuraties. De basisconfiguratie voor het verbinden van netvoeding van het ene paneel tot het volgende is als volgt:

1. De netvoeding is verbonden met de vermogensingang of -uitgang van het eerste paneel.
2. Daarna wordt een powerCON-kabel verbonden met de vermogensuitgang van het eerste paneel en verbonden met de vermogensingang van het volgende paneel.
3. De aansluitingen blijven doorgaan totdat alle panelen zijn verbonden.

Verbind de stroom tussen de panelen met dezelfde procedure als het signaal, alleen nu met de vermogensingang- en vermogensuitgangaansluitingen. U moet zich houden aan de power-linking specificaties voor elk PVP X3-model.

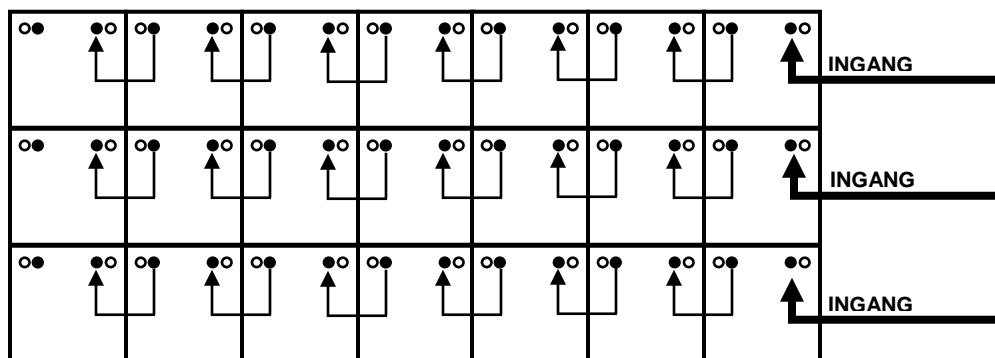
Raadpleeg het onderdeel [Power Linking](#) voor details over het aantal panelen dat op basis van spanning kan worden gekoppeld vanaf een enkele vermogensverbinding.



Het power linken van meer dan de aanbevolen panelen zal uw garantie doen vervallen en de kans op elektrocutie of brand verhogen!

Raadpleeg het volgende diagram voor een voorbeeld van stroomverbinding vanaf het spanningsnet voor elk verbonden paneel.

Dit voorbeeld gebruikt een PVP X3 en koppelt middels power linking 7 panelen horizontaal @ 120 V.



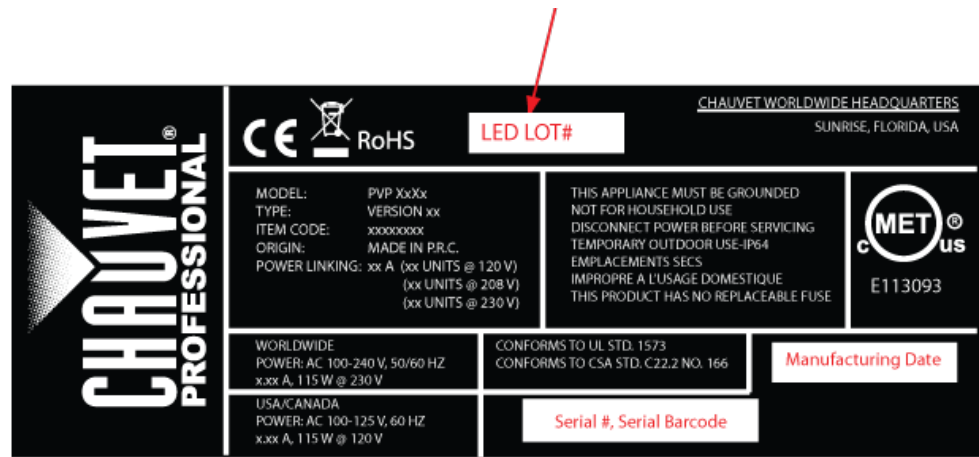
7. Verzorging en vervanging van de LED-module

PVP X3 LED-module

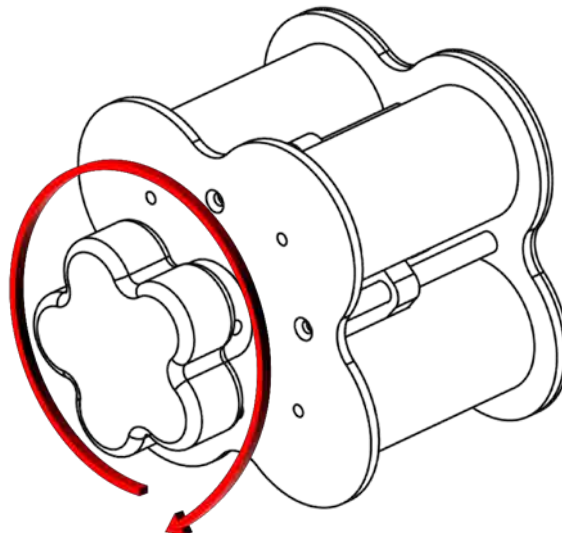
Elke PVP X3 heeft 4 LED-modules die aan het paneelframe zijn bevestigd met duimschroeven en magneten. Elke module heeft 2 kabels, gegevens en stroom, die aangesloten worden op de hoofdverwerkingseenheid.

Lot-nummers van de LED

Om consistente kleuren en opbrengst te waarborgen, moet u beschadigde of defecte LED-modules alleen vervangen met dezelfde LOT-nr's als de andere LED's op het paneel. Bij het combineren van panelen voor het creëren van volledige videowandsystemen (verhuur, permanente installaties, etc.) wordt het ten zeerste aanbevolen dat de LED-LOT-nr's van de panelen met elkaar overeenkomen. Lot-nr's zijn te vinden op de specificatiesticker achterop elk paneel.



Gebruik van de MT-01

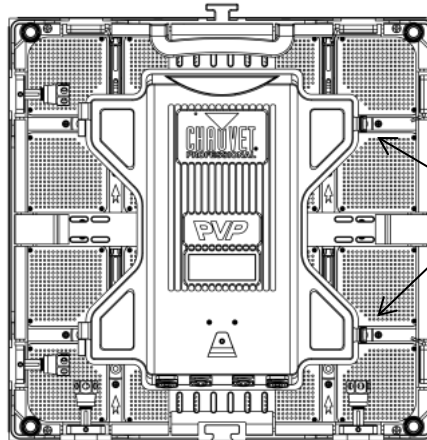


De MT-01 is een magneet die speciaal is ontworpen voor de voorzichtige verwijdering en vervanging van de PVP X3 LED-module. Voordat u dit gereedschap gebruikt moet u controleren of de magneet volledig is teruggetrokken naar de startpositie, door de knop met de klok mee te roteren. Als de magneet niet in de startpositie wordt geplaatst kan de module beschadigd raken.



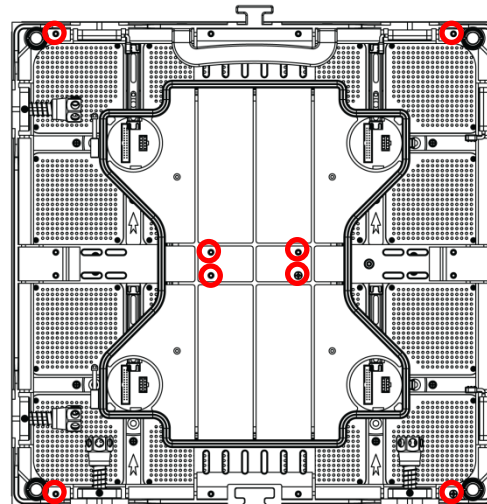
Als de magneet niet in de startpositie wordt geplaatst kan de module beschadigd raken!

*PVP X3 LED-
moduleverwijdering met
MT-01*

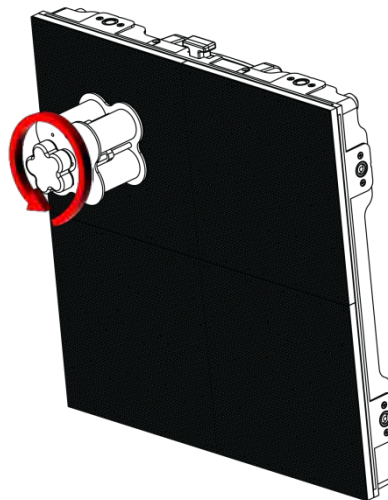


Vergrendelingen voor
onderhoudstoegang

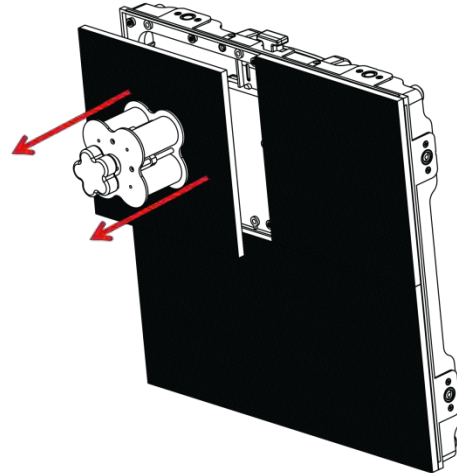
1. Plaats het product zoals is afgebeeld op een platte tafel.
2. Ontgrendel en open de onderhoudstoegangsdeur



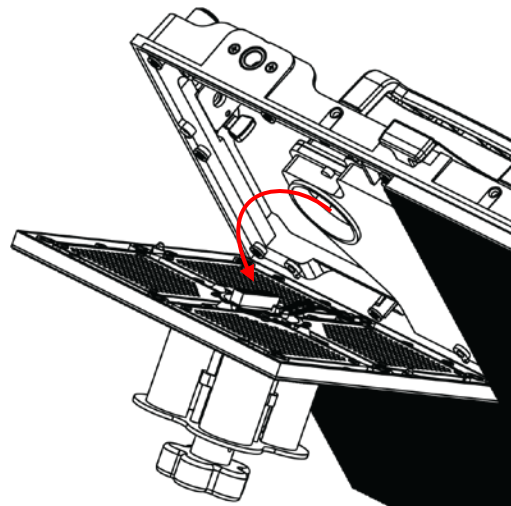
3. Maak de 2 duimschroeven los die de module aan het frame bevestigen.



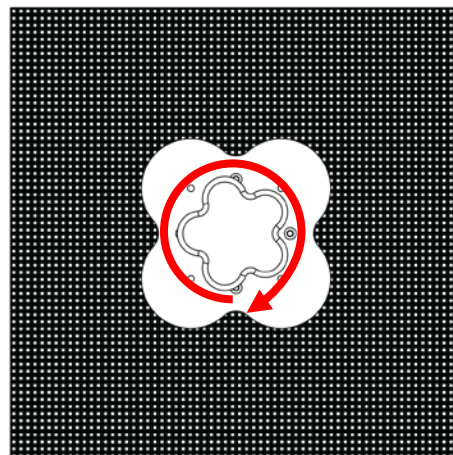
4. Bevestig voorzichtig de MT-01 aan de voorzijde van de module die verwijderd moet worden. Draai de knop tegen de klok in totdat de module 1 mm van de magneet af is.



5. Trek de MT-01, steeds steviger en zo recht mogelijk, totdat de module van het frame loskomt.

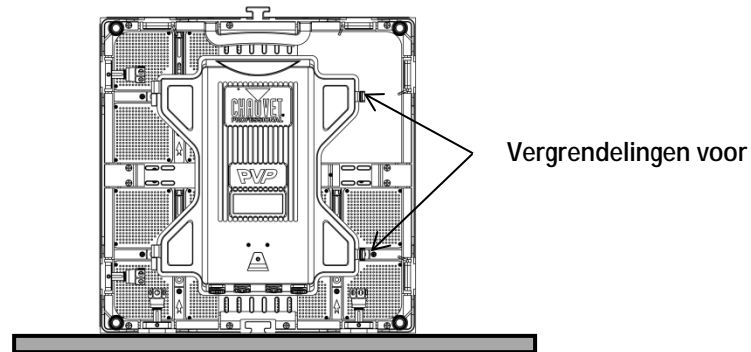


6. Maak de 2 Molex-aansluitingen achterop de module los.

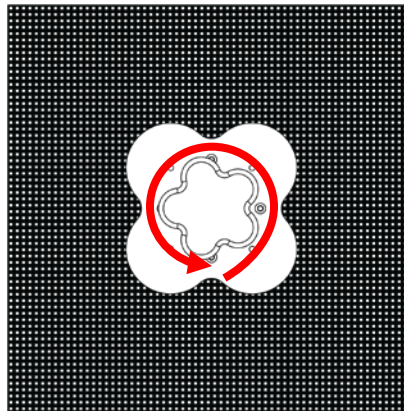


7. Ontkoppel de module door de MT-01 knop met de klok mee te draaien.

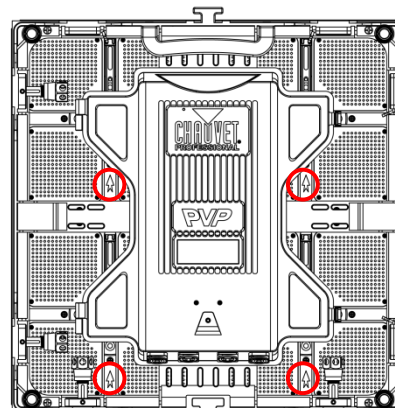
*PVP X3 LED-
moduleplaatsing met
MT-01*



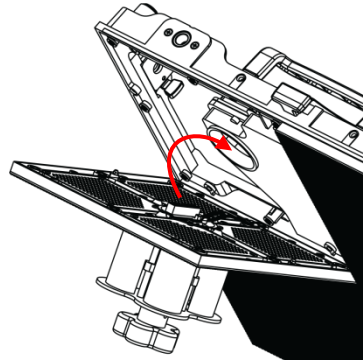
1. Plaats het product zoals is afgebeeld op een platte tafel.
2. Ontgrendel en open de onderhoudstoegangsdeur



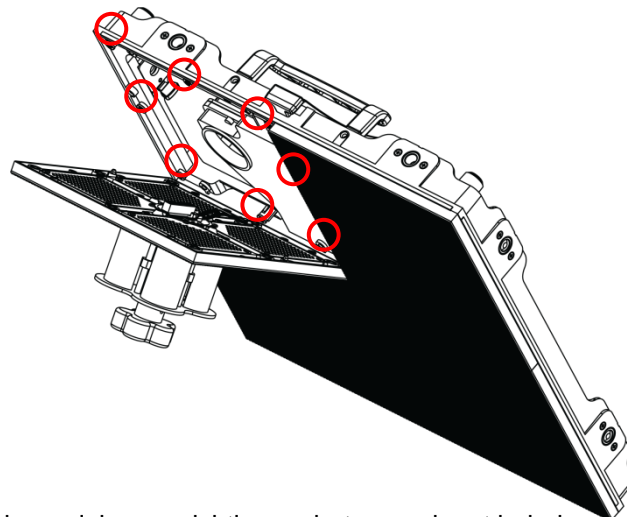
3. Plaats de nieuwe PVP X3-module op een plat oppervlak.
4. Met de MT-01 in zijn niet startpositie, plaatst u de MT-01 voorzichtig bovenop de nieuwe module.
5. Draai de knop tegen de klok in totdat de magneten 1 mm van het oppervlak af zijn.



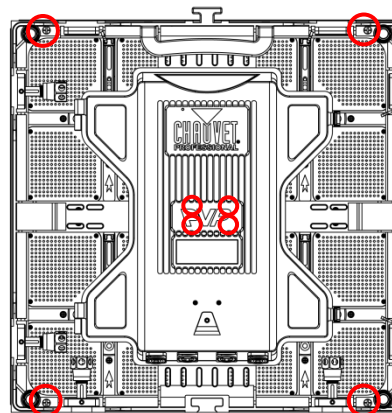
6. Richt de module zo, dat de pijl op de achterzijde omhoog is gericht.



7. Bevestig van de voorzijde van het paneel, de 2 Molex-aansluitingen naar de module.



8. Bevestig de module voorzichtig aan het paneel met behulp van de magneten op de module.



9. Draai de duimschroeven vast om de module vast te maken.
 10. Verwijder de MT-01 door de knop met de klok mee, naar de startpositie te draaien en het weg te trekken.

8. Gebruikelijke PVP X3-installatie

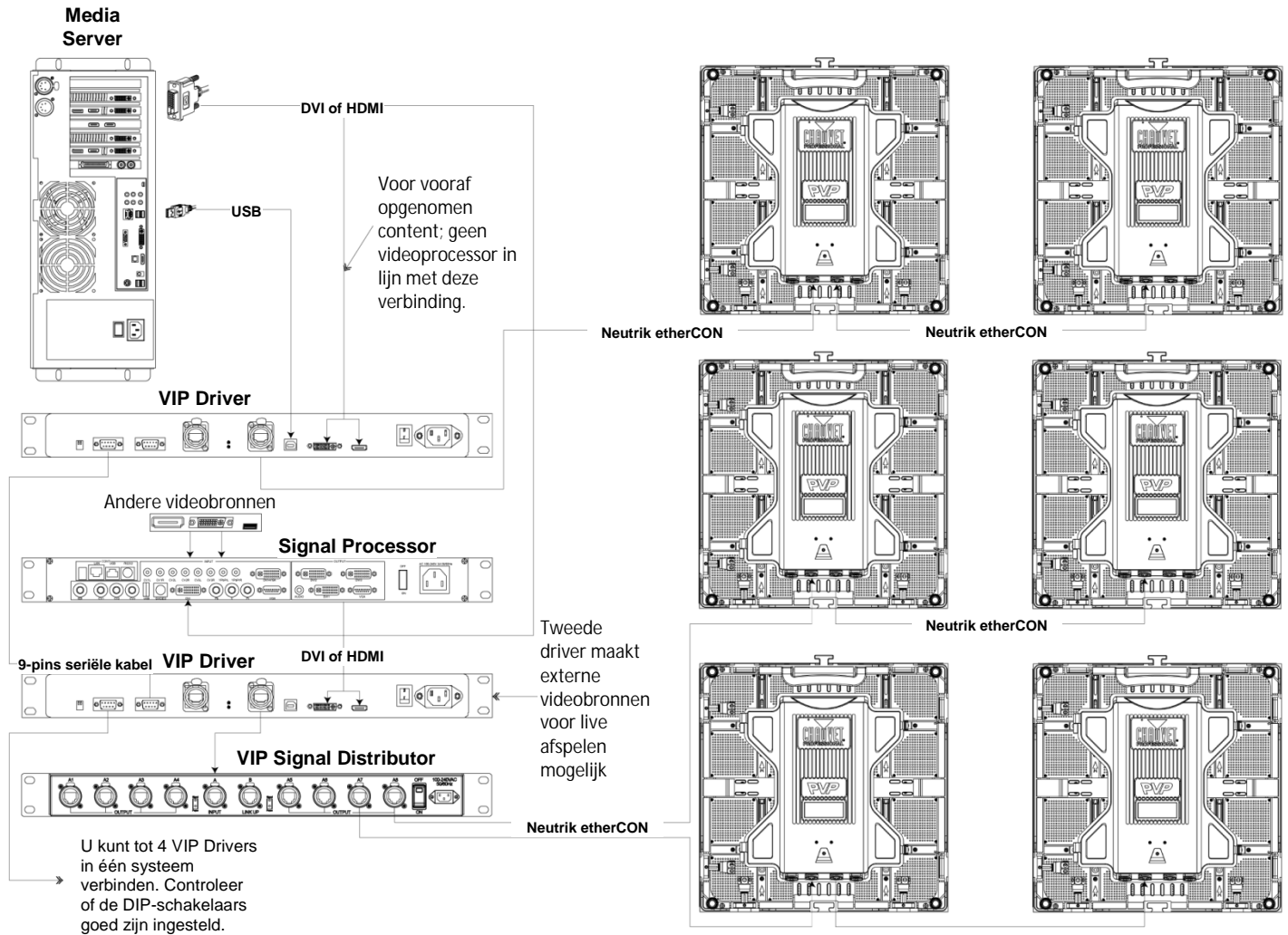
Doordat een videowandsysteem verschillende onderdelen kan bevatten voor een eenvoudig tot complex modulair wandontwerp, kunt u de volgende stappen gebruiken als algemene richtlijn om te starten.

- Stap 1* Open en onderzoek de PVP X3 roadcase om te controleren dat u alle producten en accessoires hebt ontvangen en dat alles in goede conditie is.
- Stap 2* Sluit de voeding aan en voer voor elke PVP X3 de zelftest uit om te controleren of alle LED's en inwendige aansluitingen in elk paneel werken (optioneel).
- Stap 3* Creëer een stabiel montageoppervlak (bijv. spant of ander stabiel oppervlak) voor montage van de PVP X3.
- Stap 4* Monteer de bovenste rij PVP X3's. Raadpleeg de sectie [Montage](#) in deze gebruikershandleiding.
- Stap 5* Pas de uitlijning van de eerste rij aan met behulp van de speego-aansluitingen.
- Stap 6* Verbind de signaalbron met de VIP Driver. Verbind de VIP Driver met de VIP Signal Distributor (indien van toepassing).
- Stap 7* Verbind de VIP Driver of de VIP Signal Distributor (indien gebruikt) met de contactdoos van het ingangssignaal van het eerste paneel in uw verbindingsserie.
- Stap 8* Op basis van uw videowandconfiguratie (ontwerp), voegt u elk paneel, horizontaal of verticaal samen, met de instructies in het onderdeel [Samenvoegen van elke PVP X3 \(Creëren van een modulair ontwerp\)](#).
Raadpleeg de instructies en informatie in het onderdeel [Verbinden \(bekabelen\) van elke PVP X3](#) van deze gebruikershandleiding.

Proefopstelling VIP videowandsysteem

Het volgende diagram toont een proefopstelling voor een Chauvet VIP videowandsysteem. Dit systeem bevat een optionele signaalprocessor voor extra videobronnen en de VIP Signal Distributor ter ondersteuning van meer panelen. Let erop dat de opstelling met twee drivers hier zorgt voor gelijktijdig afspelen van vooraf opgenomen en live content, allemaal aangestuurd vanaf een PC.

Raadpleeg de gebruikershandleiding van de signaalprocessor en de beknopte handleiding VIP Signal Distributor Quick Reference Guide voor informatie over die videowandcomponenten.



9. Werking

Extra apparatuur en software Naast de panelen heeft u ook andere apparatuur en software nodig om uw VIP videowandsysteem te ontwerpen, bouwen en bedienen. De volgende tabel geeft een samenvatting van deze extra artikelen—sommige zijn vereist en andere zijn optioneel.

Item	Beschrijving	Artikelcode
VIP Driver	Interface tussen de signaalbron, LED Studio en de PVP X3 die wordt gebruikt	99090575
LED Studio	Softwaretoepassing die wordt gebruikt voor het ontwerpen en het plaatsen van de PVP's die de videowand bevatten. Er is een PC nodig	
VIP Signal Distributor (optioneel)	Maakt een verbinding tussen de VIP Driver en de PVP's om het bronsignaal van de VIP Driver te versturen naar de videowand	99090576
PVP X Series Rigging Bar (optioneel)	Bevat de apparatuur die nodig is om de PVP X Series te monteren.	06090926
Neutrik etherCON signaalverlenging (optioneel)	Neutrik etherCON verlengkabel; 18 in. Neutrik etherCON verlengkabel; 5 ft Neutrik etherCON verlengkabel; 10 ft	19090363 19090364 19090365
Neutrik powerCON verlenging (optioneel)	Neutrik powerCON verlenging, 18 in Neutrik powerCON verlenging, 5 ft Neutrik powerCON verlenging, 10 ft Neutrik powerCON verlenging, 25 ft Neutrik powerCON verlenging, 50 ft	19110372 19110373 19110374 19110375 19110376
VIP mediasysteem en een VIP Driver	In een rek monteerbaar videocomputersysteem met de VIP Driver en LED Studio-software	
VIP Media System met ArKaos MediaMaster Express + KN en een VIP Driver	In een rek monteerbaar videocomputersysteem met de VIP Driver en LED Studio-software, met ArKaos MediaMaster Express	
ArKaos MediaMaster Express + KN	Videoafspeelsoftware + KN-bediening	

Over CHAUVET LED Studio

CHAUVET LED Studio is een krachtige, eenvoudig te leren softwaretoepassing die wordt gebruikt voor het ontwerpen en bedienen van het VIP videowandsysteem. Het nu volgende biedt inleidende informatie over deze software.

Raadpleeg de gebruikershandleiding voor CHAUVET LED Studio voor uitgebreide informatie en instructies over het instellen en gebruiken van CHAUVET LED Studio met uw Chauvet VIP videowandsysteem.

Beschrijving

Met CHAUVET LED Studio kunt u uw videowand creëren en bedienen door de panelen te adresseren die zijn opgenomen in uw videowand, waaronder pixelafstand en layout.

Nadat u het fysieke ontwerp van het modulaire videowand hebt gecreëerd door de panelen samen te voegen, vermogen, signalen en het VIP Media System aan te sluiten, maakt u dit ontwerp na binnen LED Studio.

Uitgebreide informatie en instructies staan in de gebruikershandleiding van de CHAUVET LED Studio.



Chauvet raadt het gebruik van CHAUVET LED Studio af voor afspelen van een live show. Voor dit doeleinde biedt Chauvet de Arkaos MediaMaster aan, die verschillende afspeltriggers heeft, waaronder DMX, Art-Net, MA-net, MIDI en QWERTY.

10. Technische informatie

Onderhoud van de PVP X3

Voor het behoud van optimale prestaties en om slijtage te minimaliseren, moet de gebruiker dit product regelmatig reinigen. Het gebruik en de omgeving zijn factoren die bijdragen aan het bepalen van de schoonmaakfrequentie.

Als vuistregel moet het product ten minste tweemaal per maand gereinigd worden. De ophoping van stof verlaagt de lichtemissieprestaties en kan oververhitting veroorzaken. Dit kan leiden tot een kortere levensduur van de lichtbron en verhoogde mechanische slijtage.

Volg onderstaande aanbevelingen om de PVP X3 te reinigen:

1. Haal het paneel van de stroom.
2. Wacht totdat het product op kamertemperatuur is.
3. Gebruik een zachte borstel om stof te verwijderen dat zich heeft opgehoopt op de externe onderdelen.
4. Veeg de buitenzijde van de LED-modules af met een zachte, pluisvrije doek die is bevochtigd met een oplossing van water en reinigingsmiddel. Niet te hard drukken.
5. Controleer of alle verbinding goed zijn gedroogd voordat u de stroom- en signaalkabels weer aansluit.



Droog de externe oppervlakken altijd zorgvuldig na het reinigen.

Retouren

U moet het product gefrankeerd, in de originele doos en met de originele verpakking en accessoires opsturen. Chauvet geeft geen retourstickers af.

Bel Chauvet en vraag om een retouropdrachtformulier (RMA)-nummer vóór het verzenden van het product. Zorg dat u het modelnummer, serienummer en een korte beschrijving van de retouroorzaak bij de hand hebt.

Label het pakket duidelijk met een RMA-nummer. Chauvet weigert producten die worden geretourneerd met een RMA-nummer.



Schrijf het RMA-nummer NIET direct op de doos. Schrijf het in plaats daarvan op een goed bevestigd label.

Als u een RMA-nummer hebt gekregen, meld dan de volgende informatie op een stukje papier binnen de doos:

- Uw naam:
- Uw adres:
- Uw telefoonnummer
- Het RMA-nummer
- Een korte beschrijving van het probleem

Zorg ervoor dat u het product voldoende inpakt. Alle verzendschade die resulteert uit onvoldoende verpakking is de verantwoordelijkheid van de klant. FedEx-verpakking of dubbele dozen worden aanbevolen.



Chauvet behoudt zich het recht voor om (het) geretourneerde product(en) naar eigen inzicht te repareren of te vervangen.

11. Technische Specificaties

	PVP X3	PVP X6IP
Lichtbron	Driekleurige SMD 2121 LED	Driekleurige SMD 2623 LED
Pixels per paneel	128 x 128 (16.384 totaal)	72 x 72 (5.184 totaal)
Pixelafstand (tussen LED's)	3,9 mm	6,9 mm
Pixel dichtheid	65.536/m ²	20.736/m ²
Verversingssnelheid van de display	1,500 Hz; 2,400 Hz beschikbaar	1,920 Hz; 3,120 beschikbaar
Kijkhoek	130°	130°
Verlichtingssterkte	2.100 NITS	5.600 NITS
Rode golflengte	625 nm	625 nm
Groene golflengte	525 nm	525 nm
Blauwe golflengte	470 nm	470 nm
Type voedingsmodule	Schakelend	Schakelend
AC spanningsbereik	100–240 VAC, 50/60 Hz	100–240 VAC, 50/60 Hz
Spanningsselectie	Automatisch wisselend bereik	Automatisch wisselend bereik
Stroomverbruik 120 V, 60 Hz	115 W; 0,96 A	160 W; 1,33 A
Stroomverbruik 208 V, 60 Hz	115 W; 0,55 A	160 W; 0,77 A
Stroomverbruik 230 V, 50 Hz	115 W; 0,50 A	160 W; 0,70 A
Power Linking @ 120 V, 60 Hz	20 eenheden	17 eenheden
Power Linking @ 208 V, 60 Hz	35 eenheden	28 eenheden
Power Linking @ 230 V, 50 Hz	37 eenheden	29 eenheden
Afmetingen	500 x 89 x 517 mm	500 x 83 x 517 mm
Gewicht	9,34 kg	9,62 kg
Transparantie	0%	8%
Materiaal van de behuizing	Gegoten aluminium	Gegoten aluminium
Stroomaansluiting	Neutrik powerCON	Neutrik powerCON
Gegevensaansluiting	Neutrik etherCON	Neutrik etherCON

Contact opnemen met ons

WERELD HOOFDKWARTIER - Chauvet**Algemene Informatie**

Adres: 5200 NW 108th Avenue
Sunrise, FL 33351
Bandopname: (954) 577-4455
Fax: (954) 929-5560
Toll free: (800) 762-1084

Technische support

Bandopname: (954) 577-4455 (druk op 4)
Fax: (954) 756-8015
E-mail: tech@chauvetlighting.com

World Wide Web

www.chauvetlighting.com

VERENIGD KONINKRIJK EN IERLAND - Chauvet Europe Ltd.**Algemene Informatie**

Adres: Unit 1C
Brookhill Road Industrial Estate
Pinxton, Nottingham, UK
NG16 6NT
Bandopname: +44 (0)1773 511115
Fax: +44 (0)1773 511110

Technische support

E-mail: uktech@chauvetlighting.com

World Wide Web

www.chauvetlighting.co.uk

MEXICO - Chauvet Mexico**Algemene Informatie**

Adres: Av. Santa Ana 30
Parque Industrial Lerma
Lerma, Mexico C.P. 52000
Bandopname: +52 (728) 285-5000

Technische support

E-mail: servicio@chauvet.com.mx

World Wide Web

www.chauvet.com.mx

CHAUVET EUROPE - Chauvet Europe BVBA**Algemene Informatie**

Adres: Stokstraat 18
9770 Kruishoutem
België
Bandopname: +32 9 388 93 97

Technische support

E-mail: Eutech@chauvetlighting.eu

World Wide Web

www.chauvetlighting.eu

Buiten de VS, het Verenigd Koninkrijk, Ierland, Mexico of de Benelux kunt u contact opnemen met uw dealer. Volg hun instructies om support aan te vragen of om een product te retourneren. Ga naar onze website voor contactinformatie.

