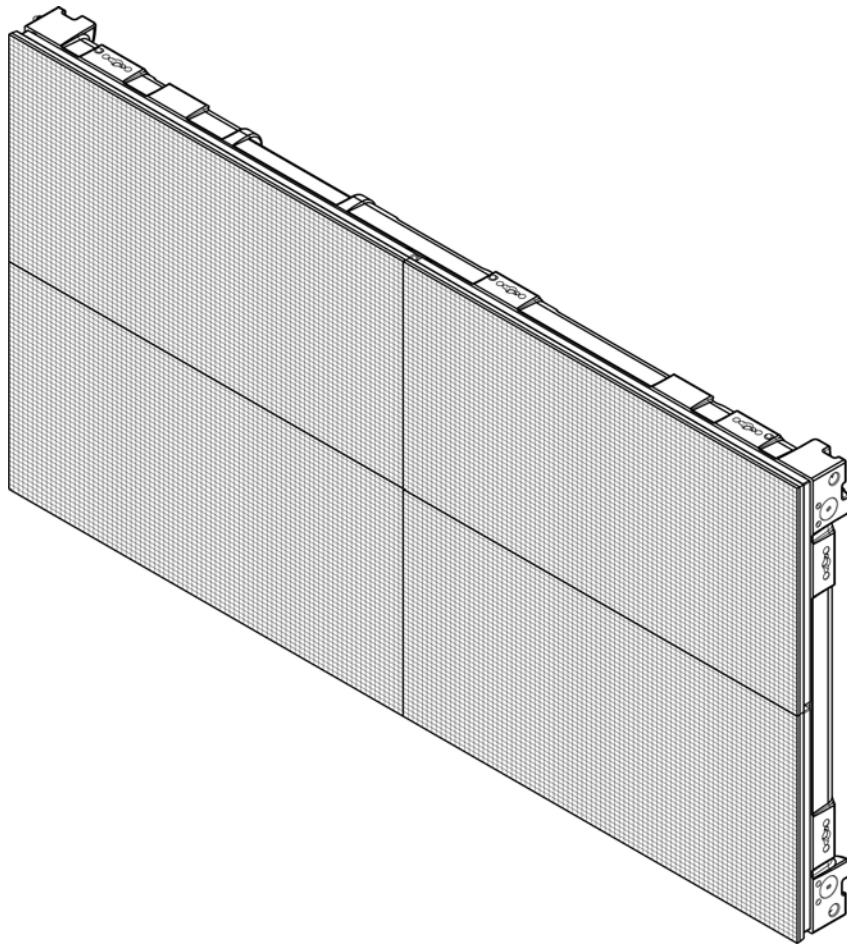




User Manual



CHAUVET
PROFESSIONAL

Edition Notes

The F3 User Manual includes a description, safety precautions, installation, programming, operation, and maintenance instructions for the F3 as of the release date of this edition.

Trademarks

CHAUVET, the Chauvet logo and F3 are registered trademarks or trademarks of Chauvet & Sons, LLC (d/b/a Chauvet and Chauvet Lighting) in the United States and other countries. Other company and product names and logos referred to herein may be trademarks of their respective companies.

Copyright Notice

The works of authorship contained in this manual, including, but not limited to, all design, text and images are owned by Chauvet.

© **Copyright 2017 Chauvet & Sons, LLC. All rights reserved.**

Electronically published by Chauvet in the United States of America.

Manual Use

Chauvet authorizes its customers to download and print this manual for professional information purposes only. Chauvet expressly prohibits the usage, copy, storage, distribution, modification, or printing of this manual or its content for any other purpose without written consent from Chauvet.

Document Printing

For best results, print this document in color, on letter size paper (8.5 x 11 in), double-sided. If using A4 paper (210 x 297 mm), configure the printer to scale the content accordingly.

Intended Audience

Any person installing, operating, and/or maintaining this product should completely read through the guide that shipped with the product, as well as this manual, before installing, operating, or maintaining this product.

Disclaimer

Chauvet believes that the information contained in this manual is accurate in all respects. However, Chauvet assumes no responsibility and specifically disclaims any and all liability to any party for any loss, damage or disruption caused by any errors or omissions in this document, whether such errors or omissions result from negligence, accident or any other cause. Chauvet reserves the right to revise the content of this document without any obligation to notify any person or company of such revision, however, Chauvet has no obligation to make, and does not commit to make, any such revisions. Download the latest version from www.chauvetprofessional.com.

Document Revision

This F3 User Manual is the 2nd edition of this document. Go to www.chauvetprofessional.com for the latest version.

TABLE OF CONTENTS

1. Before You Begin	1
What Is Included	1
Claims	1
Manual Conventions	1
Symbols	1
Safety Notes.....	2
2. Introduction	3
Product Description.....	3
Features.....	3
Additional Products	3
Optional Accessories	3
Available Signal and Power Cables	3
Product Overview.....	4
Pixels per Panel	5
Product Dimensions	6
3. Setup	7
AC Power.....	7
AC Plug.....	7
Power Linking.....	7
4. Mounting	8
Orientation.....	8
Mounting Points	8
RB-F50CM Rig Bar Dimensions	9
RB-F100CM Rig Bar Dimensions	9
Rig Bar/Panel Assembly	10
Alternative Rig Bar/Panel Assembly	11
Truss Installation.....	12
Flat Wall Installation.....	13
5. Joining Each F3 (Creating a Modular Design).....	14
Vertically Joining the Panels	14
Vertical Panel Connection.....	15
Horizontally Joining the Panels	16
Horizontal Panel Connection.....	16
6. Connecting (Cabling) Each F3	17
Testing Signal and Power Connections	17
Using the F3 Test Button	17
Connecting Power and Signal Cables.....	18
Connecting the Signal Between Joined Panels	18
Connecting the Power Between Joined Panels	19
7. LED Module Care and Replacement.....	20
F3 Module	20
LED Lot Numbers.....	20
A and B Modules.....	20
Using MT-03.....	20
F3 LED Module Removal with MT-03	21
8. F3 Panel Configuration	23
Switching Between Front and Rear Serviceability	23
Accessing the Service Module	24
9. Typical F3 Installation.....	25

10. Operation	26
Additional Hardware and Software.....	26
About NovaLCT-Mars	26
Description	26
11. Technical Information	27
F3 Maintenance	27
Returns.....	27
12. Technical Specifications	28
13. Contact Us	29
1. Antes de empezar	31
Qué va incluido	31
Reclamaciones.....	31
Convenciones del manual.....	31
Símbolos	31
Notas de seguridad.....	32
2. Introducción	33
Descripción del producto.....	33
Características	33
Productos adicionales	33
Accesorios opcionales	33
Cables de alimentación y señal disponibles	33
Vista general del producto	34
Píxeles por panel	35
Dimensiones del producto.....	36
3. Instalación	37
Corriente alterna	37
Enchufe CA.....	37
Alimentación en cadena.....	37
4. Montaje	38
Orientación.....	38
Puntos de montaje	38
Dimensiones de la Rig Bar RB-F50CM.....	39
Dimensiones de la Rig Bar RB-F100CM.....	39
Rig Bar/Ensamblaje del panel.....	40
Rig Bar/Ensamblaje alternativo del panel	41
Instalación de truss	42
Instalación en muro plano.....	43
5. Unir todos los F4 (creación de un diseño modular)	44
Unir los paneles verticalmente	44
Conexión del panel vertical.....	45
Unir los paneles horizontalmente.....	46
Conexión del panel horizontal.....	46
6. Conectar (cablear) todos los F3	47
Probar la señal y las conexiones de alimentación	47
Utilizar el botón de prueba del F3	47
Conectar los cables de alimentación y señal	48
Conectar la señal entre paneles unidos.....	48
Conectar la alimentación entre paneles unidos	49
7. Cuidados y sustitución del módulo LED	50
Módulo LED del F3	50
Números de lote LED.....	50

Módulos A y B	50
Usar MT-03	50
Quitar el módulo LED del F3 con MT-03.....	51
8. Configuración del panel F3	53
Cambiar entre mantenimiento delantero y trasero.....	53
Acceso al módulo de servicio.....	54
9. Instalación típica del F3.....	55
10. Funcionamiento.....	56
Hardware y software adicional	56
Acerca de NovaLCT-Mars.....	56
Descripción	56
11. Información técnica	57
Mantenimiento del F3.....	57
Devoluciones.....	57
12. Especificaciones técnicas.....	58
13. Contacto.....	59
1. Avant de commencer	61
Contenu.....	61
Réclamations	61
Conventions manuelles.....	61
Symboles	61
Consignes de Sécurité	62
2. Introduction	63
Description de l'appareil.....	63
Caractéristiques	63
Appareils supplémentaires.....	63
Accessoires optionnels	63
Câbles de signal et d'alimentation disponibles	63
Vue d'ensemble de l'appareil	64
Pixels par panneau	65
Dimensions de l'appareil	66
3. Installation	67
Alimentation CA	67
Prise CA.....	67
Chaînage électrique.....	67
4. Fixation.....	68
Orientation.....	68
Points de fixation.....	68
Dimensions de la Rig Bar RB-F50CM.....	69
Dimensions de la Rig Bar RB-F100CM.....	69
Assemblage de la Rig Bar et du panneau.....	70
Autre assemblage de la Rig Bar et du panneau	71
Installation sur treillis.....	72
Installation sur un mur plat.....	73
5. Assembler les F3 les uns aux autres (création d'une configuration modulaire).....	74
Assemblage vertical des panneaux	74
Connexion verticale des panneaux.....	75
Assemblage horizontal des panneaux	76
Connexion horizontale des panneaux.....	76

6. Connexion (câblage) de chaque F3	77
Test des connexions de signal et d'alimentation	77
Utilisation du bouton Test du F3	77
Connexion des câbles d'alimentation et de signal	78
Connexion du signal entre des panneaux assemblés.....	78
Connexion de l'alimentation entre des panneaux assemblés	79
7. Entretien et remplacement des modules LED	80
Module LED F3	80
Numéros de lot LED.....	80
Modules A et B.....	80
Utilisation du MT-03	80
Dépose de module LED du F3 LED avec le MT-03	81
8. Configuration du panneau du F3	83
Passer d'un accès par l'avant à un accès par l'arrière	83
Accès au module de service	85
9. Installation F3 type.....	86
10. Utilisation	87
Matériel et logiciel additionnels	87
A propos du NovaLCT-Mars	87
Description	87
11. Informations techniques.....	88
Entretien du F3.....	88
Renvois	88
12. Spécifications techniques	89
13. Nous Contacter.....	90
1. Voordat tu begint.....	92
Wat is er inbegrepen	92
Claims	92
Conventies van deze handleiding	92
Symbolen	92
Veiligheidsinstructies.....	93
2. Inleiding.....	94
Productbeschrijving.....	94
Eigenschappen	94
Extra producten.....	94
Optionele accessoires.....	94
Beschikbare signaal- en voedingskabels	94
Productoverzicht	95
Pixels per paneel.....	96
Afmetingen van het product	97
3. Instelling.....	98
AC-stroom	98
AC-stekker	98
Power Linking.....	98
4. Montage.....	99
Oriëntatie.....	99
Bevestigingspunten.....	99
RB-F50CM Rig Bar-afmetingen	100
RB-F100CM Rig Bar-afmetingen	100
Montage van de Rig Bar/het paneel.....	101
Alternatieve montage van de Rig Bar/het paneel.....	102

Spantinstallatie.....	103
Installatie op een vlakke wand.....	104
5. Samenvoegen van elke F3 (Creëren van een modulair ontwerp).....	105
Verticaal samenvoegen van de panelen.....	105
Verticale paneelverbinding.....	106
Horizontaal samenvoegen van de panelen.....	107
Horizontale paneelverbinding.....	107
6. Verbinden (bekabelen) van elke F3	108
Testen van signaal- en stroomaansluitingen.....	108
Gebruik van de testknop van de F3	108
Aansluiten van stroom- en signaalkabels.....	109
Het signaal aansluiten tussen de samengevoegde panelen.....	109
Het vermogen aansluiten tussen de samengevoegde panelen.....	110
7. Verzorging en vervanging van de LED-module.....	111
F3 LED-module	111
Lot-nummers van de LED	111
A- en B-modules	111
Gebruik van de MT-03	111
F3 LED-moduleverwijdering met MT-03	112
8. F3-paneelconfiguratie	114
Schakelen tussen onderhoudsgemak aan de voor- en achterzijde	114
Toegang tot de onderhoudsmodule	116
9. Gebruikelijke F3-installatie	117
10. Werking	118
Extra apparatuur en software.....	118
Over NovaLCT-Mars	118
Beschrijving.....	118
11. Technische informatie	119
Onderhoud van de F3	119
Retouren	119
12. Technische specificaties	120
13. Neem contact op	121

1. Before You Begin

What Is Included

- 4 F3
- 1 Seetronic Powerkon® Power Cord
- 4 Seetronic Powerkon® Power Linking Cords
- 4 Seetronic Etherkon® Signal Linking Cords
- Warranty Card
- User Manual

Claims

Carefully unpack the product immediately and check the container to make sure all the parts are in the package and are in good condition.




If the box or the contents (the product and included accessories) appear damaged from shipping, or show signs of mishandling, notify the carrier immediately, not Chauvet. Failure to report damage to the carrier immediately may invalidate your claim. In addition, keep the box and contents for inspection.

For other issues, such as missing components or parts, damage not related to shipping, or concealed damage, file a claim with Chauvet within 7 days of delivery.

Manual Conventions

Convention	Meaning
1–512	A range of values
50/60	A set of values of which only one can be chosen
<SET>	A button on the product's control panel
Settings	A product function or a menu option

Symbols

Symbol	Meaning
	Critical installation, configuration, or operation information. Not following these instructions may make the product not work, cause damage to the product, or cause harm to the operator.
	Important installation or configuration information. The product may not function correctly if this information is not used.
	Useful information.

Before You Begin

Safety Notes

Read all the following safety notes before working with this product. These notes contain important information about the installation, usage, and maintenance of this product.



This product contains no user-serviceable parts. Any reference to servicing in this User Manual will only apply to properly trained, certified technicians. Do not open the housing or attempt any repairs.



All applicable local codes and regulations apply to proper installation of this product.

Personal Safety

- Avoid direct eye exposure to the light source while the product is on.
- Always disconnect this product from its power source before servicing.
- Always connect this product to a grounded circuit to avoid the risk of electrocution.
- Do not touch this product's housing during operation because it may be very hot.

Mounting

- This product is not intended for permanent installation.
- This product is for indoor use only! To prevent risk of fire or shock, do not expose this product to rain or moisture. (IP31)
- CAUTION: When transferring product from extreme temperature environments, (e.g. cold truck to warm humid ballroom) condensation may form on the internal electronics of the product. To avoid causing a failure, allow product to fully acclimate to the surrounding environment before connecting it to power.
- Mount this product in a location with adequate ventilation, at least 20 in (50 cm) from adjacent surfaces.
- Make sure there are no flammable materials close to this product while it is operating.
- When hanging this product, always secure to a fastening device using a safety cable.
- Never carry the product by the power cord or any moving part.

Power and Wiring

- Make sure the power cord is not crimped or damaged.
- Always make sure you are connecting this product to the proper voltage in accordance with the specifications in this manual or on the product's specification label.
- To eliminate unnecessary wear and improve its lifespan, during periods of non-use completely disconnect the product from power via breaker or by unplugging it.
- Never connect this product to a dimmer pack or rheostat.
- Never disconnect this product by pulling or tugging on the power cable.

Operation

- Do not operate this product if you see damage on the housing or cables. Have the damaged parts replaced by an authorized technician at once.
- Do not cover the ventilation slots when operating to avoid internal overheating.
- The maximum ambient temperature is 113 °F (45 °C). Do not operate this product at a higher temperature.
- In the event of a serious operation problem, stop using this product immediately!



If your Chauvet product requires service, contact Chauvet Technical Support.

2. Introduction

Product Description

The F3 is a 1 meter by 50 centimeter LED video panel that is ideal for both the installation and rental markets. It runs on the Novastar control protocol and is fully front & rear serviceable with magnetic LED modules. This product may be mounted directly on a flat wall, due to the front-service option.

Features

- 3.9 mm pitch video panel works with the VIP Drive 43Nova, using the Novastar control protocol
- Black body LEDs accurately reproduce high contrast video quality
- 1,000 x 500 mm magnesium die-cast housing makes this product among the lightest in its class
- Magnetic LED modules and modular control box make service fast and easy
- Full front and rear service maximizes installation and maintenance
- Modular system allows for front installation onto a flat structure, maximizing installation flexibility
- Magnetic connection and positioning pins assist in hanging panels
- Dual backup power supplies for more stable displays
- Intelligent modules with dedicated memory improve the image quality and simplify maintenance
- Easily replace the LED masks without tools so your display remains flat even after mishandling

Additional Products

- VIP Drive 43Nova (required)

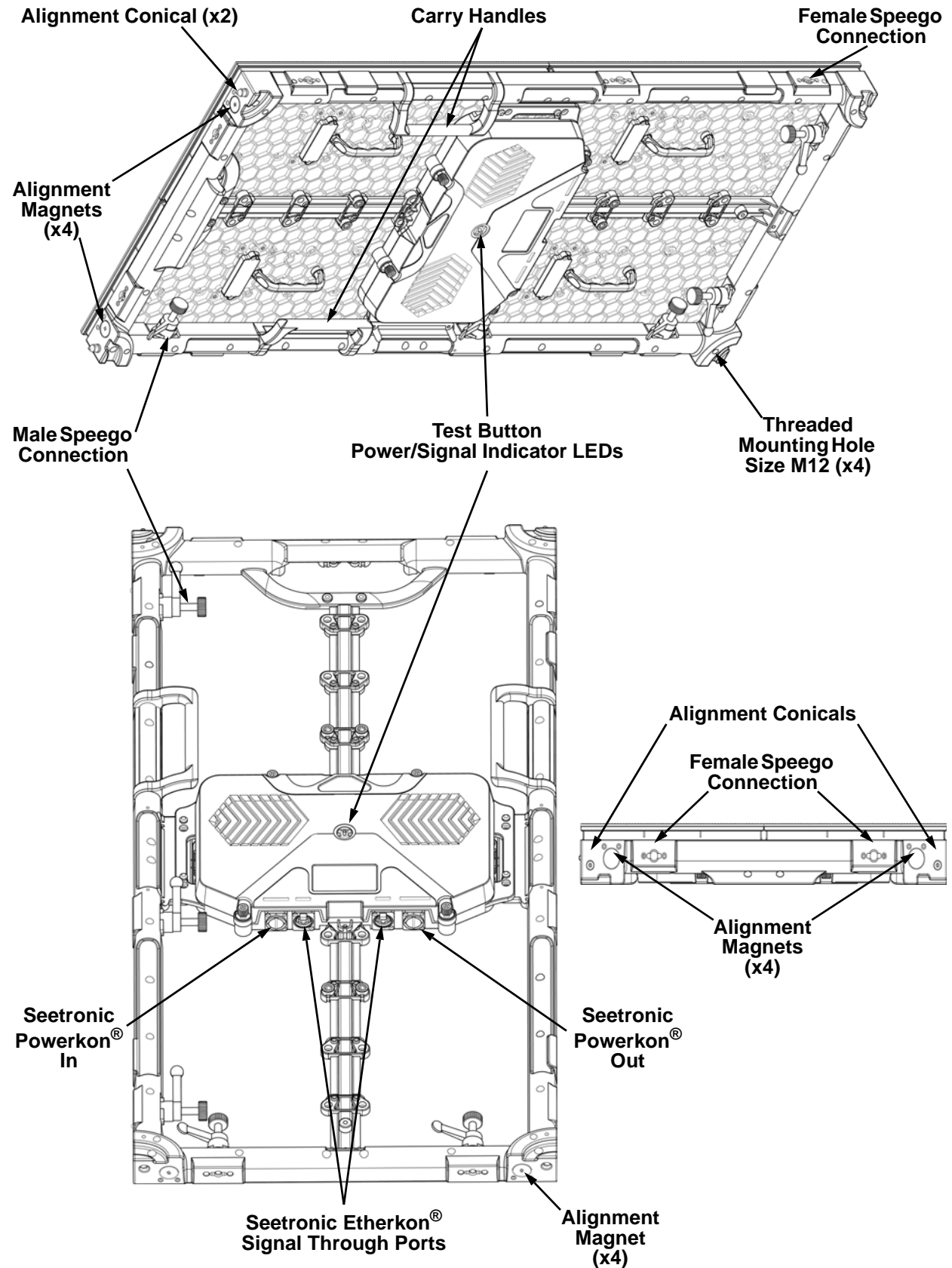
Optional Accessories

- VIP Media Server
- ArKaos Media Master Express + KN software
- MT-03 LED Module Removal Tool
- F-Series Rig Bar (RB-F50CM, RB F100CM)

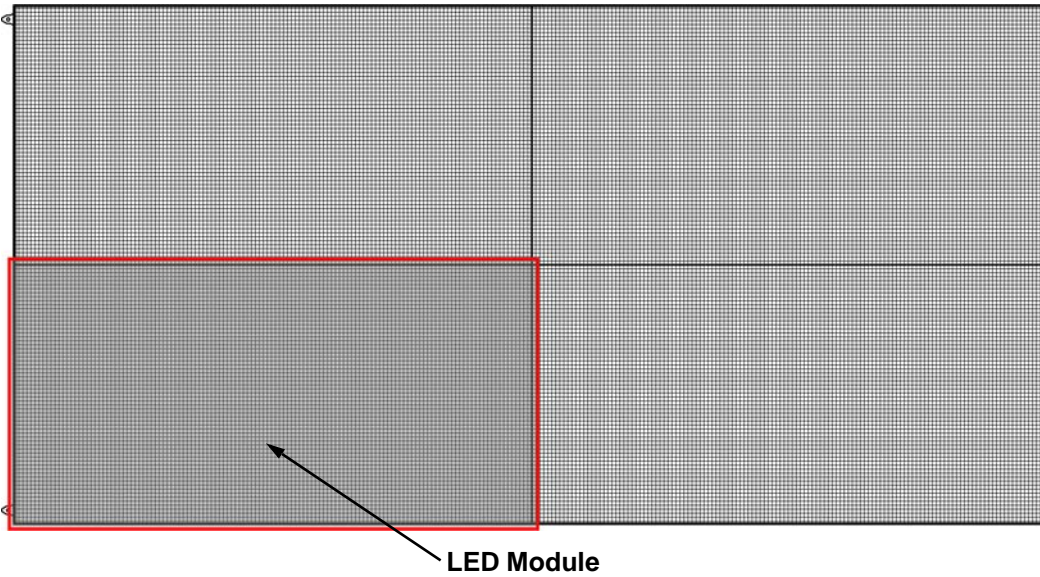
Available Signal and Power Cables

- Signal cables (Neutrik® etherCON® CAT6 Signal Extensions)
 - ETHERCONEXT18IN
 - ETHERCONEXT5FT
 - ETHERCONEXT10FT
 - ETHERCONEXT25FT
 - ETHERCONEXT50FT
- Power cables (Neutrik® powerCON® Power Extensions)
 - POWERCONEXT18IN
 - POWERCONEXT5FT
 - POWERCONEXT10FT
 - POWERCONEXT25FT
 - POWERCONEXT50FT

Product Overview



Pixels per Panel



Each pixel is 1 tri-color LED. The following table provides the pixels per panel in each F3. For detailed specifications, refer to the [Technical Specifications](#) table at the end of this User Manual.

Parameter	F3
Pixels per Panel	128 x 256
Total Pixels per Panel	32,768
Pixels per LED Module	64 x 128
Total Pixels per LED Module	8,192
LED Module Dimensions	250 x 500 mm

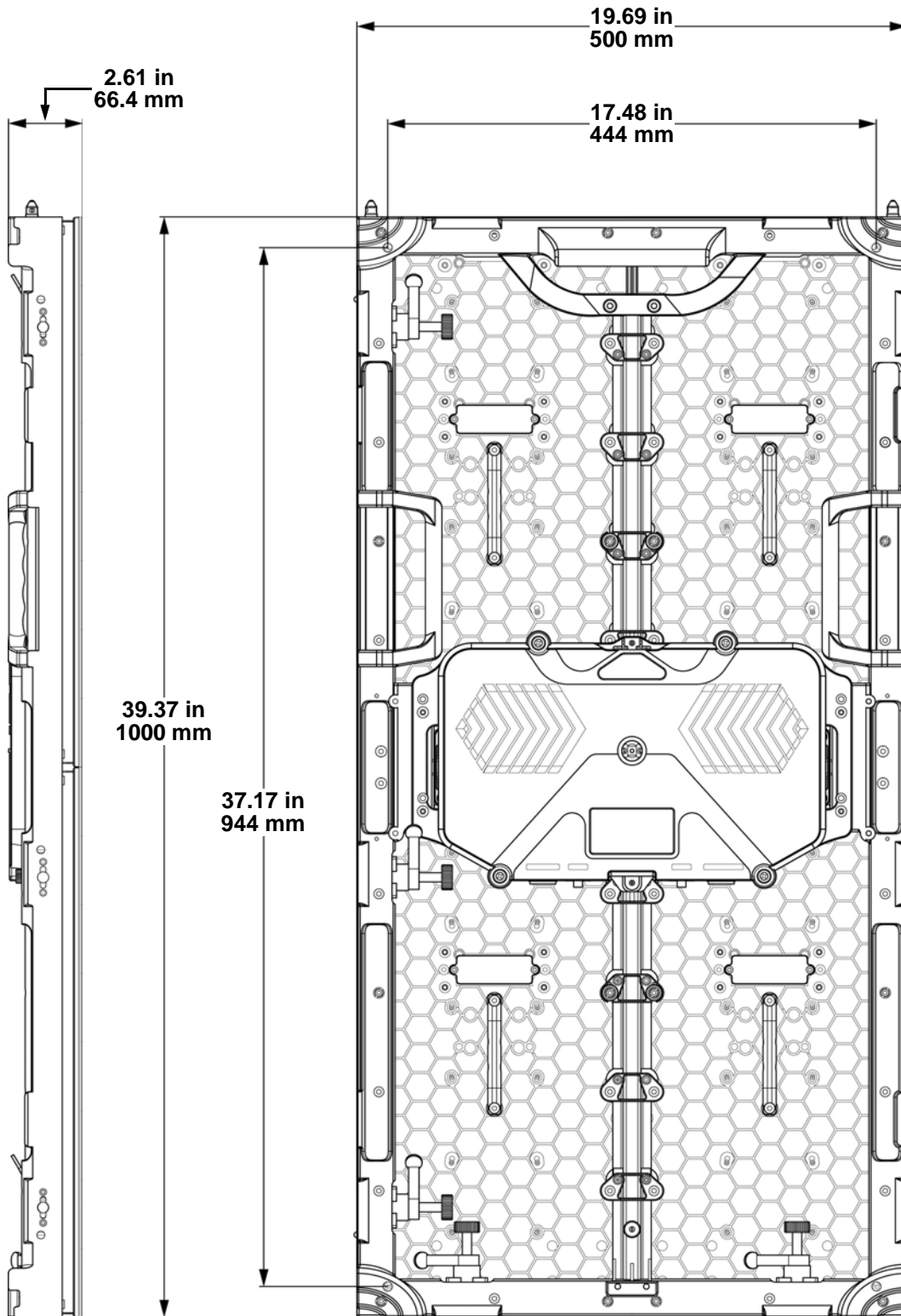
To calculate the number of panels, horizontally and vertically, supported by a single VIP Drive 43Nova, you will use:

- The number of pixels per panel.
- The screen resolution you would like to use for your video wall display.



The VIP Drive 43Nova is required to operate an F3 video wall system. Diagrams of how the F3 panels and the VIP Drive 43Nova connect follow later in this manual. For detailed information about the VIP Drive 43Nova and panel calculation examples, refer to the VIP Drive 43Nova User Manual.

Product Dimensions



3. Setup

AC Power

Each F3 has an auto-ranging power supply that works with an input voltage range of 100 to 240 VAC, 50/60 Hz. To determine the power requirements for each F3, refer to the label affixed to the product. You can also refer to the [Technical Specifications](#) chart in this manual.

The listed current rating indicates the maximum current draw during normal operation. For more information, download Sizing Circuit Breakers from the Chauvet website: www.chauvetprofessional.com.



- **Always connect the product to a protected circuit (circuit breaker or fuse). Make sure the product has an appropriate electrical ground to avoid the risk of electrocution or fire.**
- **To eliminate unnecessary wear and improve its lifespan, during periods of non-use completely disconnect the product from power via breaker or by unplugging it.**



Never connect the product to a rheostat (variable resistor) or dimmer circuit, even if the rheostat or dimmer channel serves only as a 0 to 100% switch.

AC Plug

Each F3 comes with a power linking cord to connect power between panels and a power input cord.

This cable has a Seetronic Powerkon[®] connector to connect to the F3 and an Edison plug for power input. Use the table below as a reference to wire a new plug.

Connection	Wire (U.S.)	Wire (Europe)	Screw Color
AC Live	Black	Brown	Yellow or Brass
AC Neutral	White	Blue	Silver
AC Ground	Green/Yellow	Green/Yellow	Green

Power Linking

All F3 panels support power linking. Refer to the following table for specifications on each panel.

Voltage	F3 Products
@ 120 V, 60 Hz	8
@ 208 V, 60 Hz	14
@ 230 V, 50 Hz	15



Please refer to all applicable local codes and regulations for the proper installation of this product.

Mounting

4. Mounting

Orientation

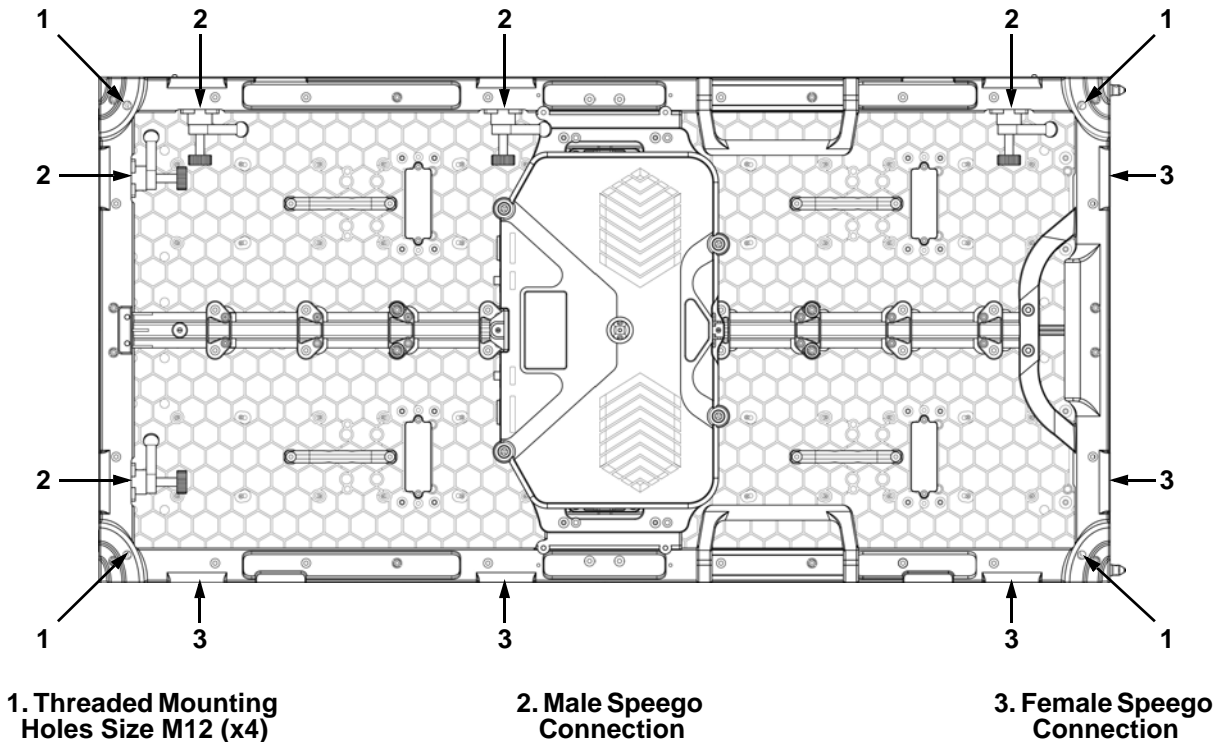
Each F3 is constructed of magnesium die-cast. This ensures each panel is stable and easy to install. Each panel also has convenient built-in handles located on the sides of the backside of the panel along with two alignment conicals on the top. This combination enables you to easily pick up and securely hold each panel while mounting and working with the panels.

The F3 can be assembled to provide any number of modular designs. The panels on the top can be securely hung from a truss or other stable surface. Always hang in a safe position with adequate space for ventilation, configuration, and maintenance.

Chauvet recommends following the general guidelines below.

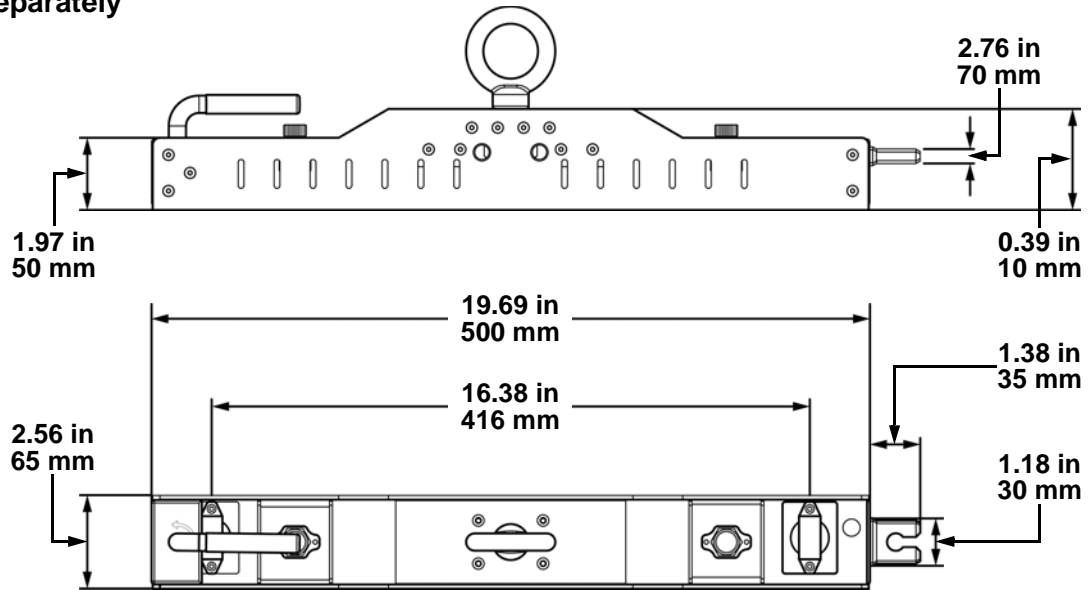
- When selecting an installation location, consider ease of access for operation and routine maintenance.
- Make sure to hang away from any flammable material, as indicated in the [Safety Notes](#) section.
- Never mount in places where rain, extreme temperature changes, or restricted ventilation may affect it.
- Make sure that the structure and attachment points to which you are hanging the panels can support the weight.
- Make sure that all load-bearing hardware used can support the weight.
- See the [Technical Specifications](#) for the weight requirement of each F3.

Mounting Points



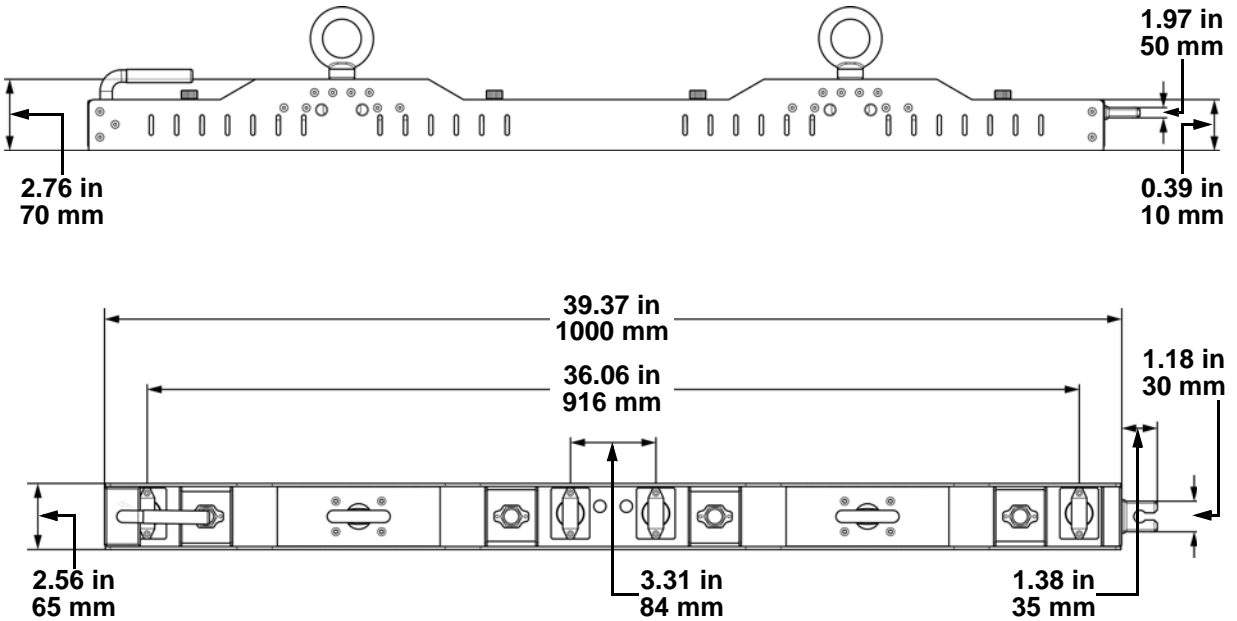
RB-F50CM Rig Bar Dimensions

Sold Separately

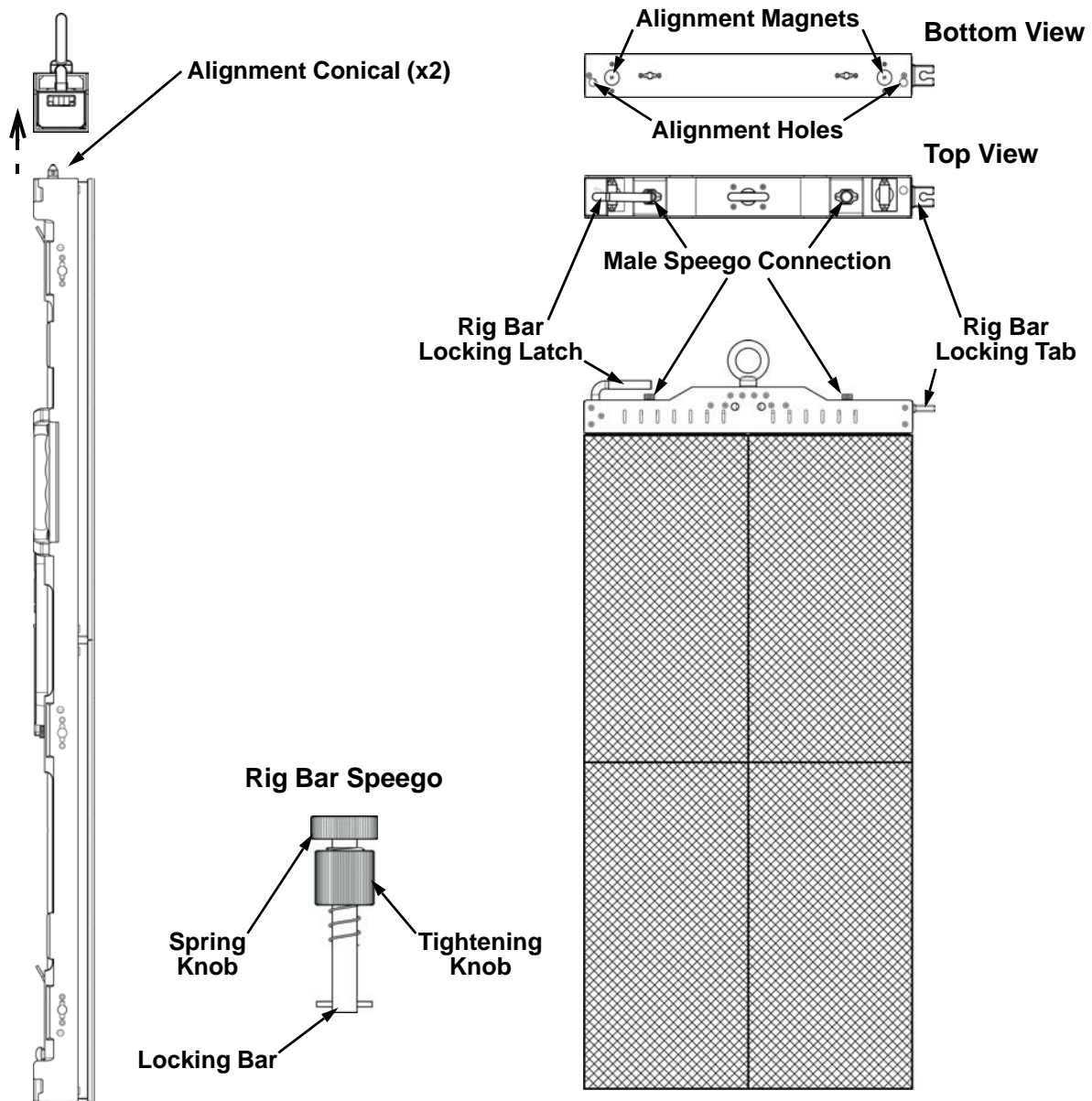


RB-F100CM Rig Bar Dimensions

Sold Separately



Rig Bar/Panel Assembly



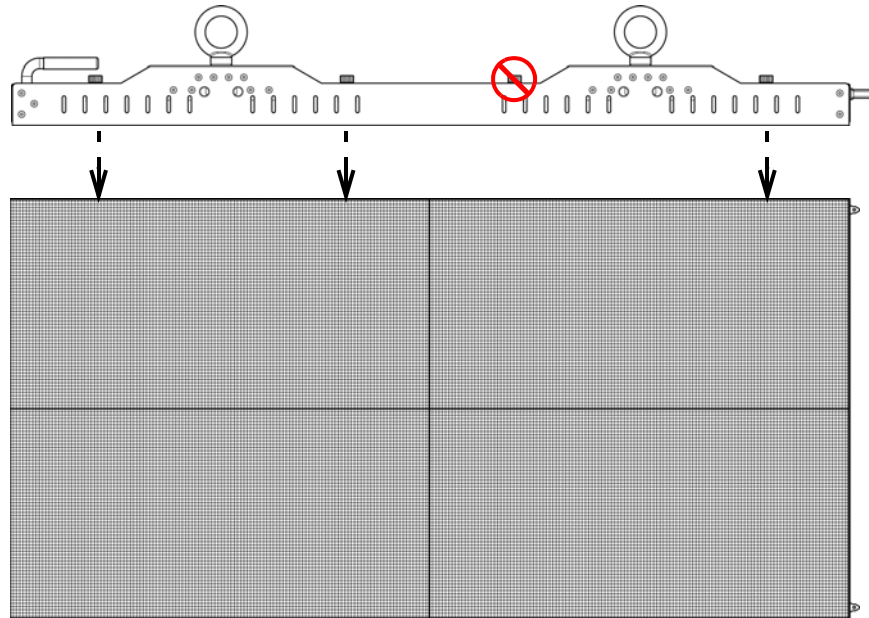
1. Insert alignment conicals into the alignment holes and allow magnets to connect.
2. Insert the Rig Bar Speego locking bars into the female Speego connections on the F3.
3. Twist the spring knob on the Rig Bar Speego by 90°, until it locks into place.
4. Twist the tightening knob clockwise until F3 is secure to Rig Bar.
5. To detach the Rig Bar from the F3, reverse the previous steps.



- The alignment magnets on the F3 and F-Series Rig Bar are designed to temporarily hold the weight of the panel to allow the user to properly align and tighten the panel into place.
- Either side of the F3 with female Speego connections can attach to the F-Series Rig Bar, but only the short side has alignment conicals and magnets. When attaching the long side of the F3 to the Rig Bar, take care to ensure that the pixels across the video assembly are aligned properly.



Warning! The magnetic attachments are not load-bearing, and are intended for alignment assistance only. Do not release panel until the hanging hardware has been fully secured.

Alternative Rig Bar/Panel Assembly

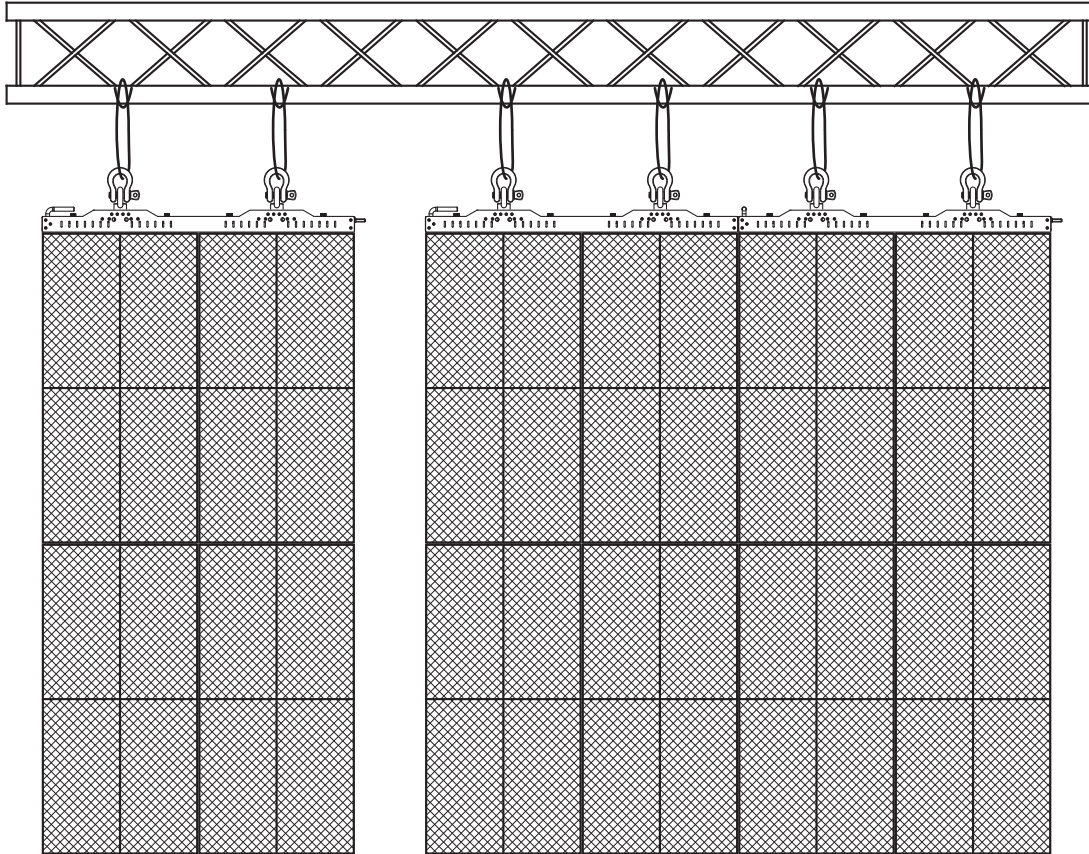
The F3 can be mounted horizontally with the RB-F100CM Rig Bar. Follow the same instructions as in [Rig Bar/Panel Assembly](#), but take extra care, as the long side of the product has neither alignment conicals nor magnets.

When mounting horizontally to the RB-F100CM, one of the Rig Bar Speegos will not be used.

Truss Installation

Refer to the following diagram for truss installation. Chauvet offers the F-Series Rig Bar (sold separately) specifically designed for hanging the panels.

Attach to Truss Using Optional F-Series Rig Bar



The M12 and M10 mounting points are not intended for hanging or suspending from a truss or other overhead structure.

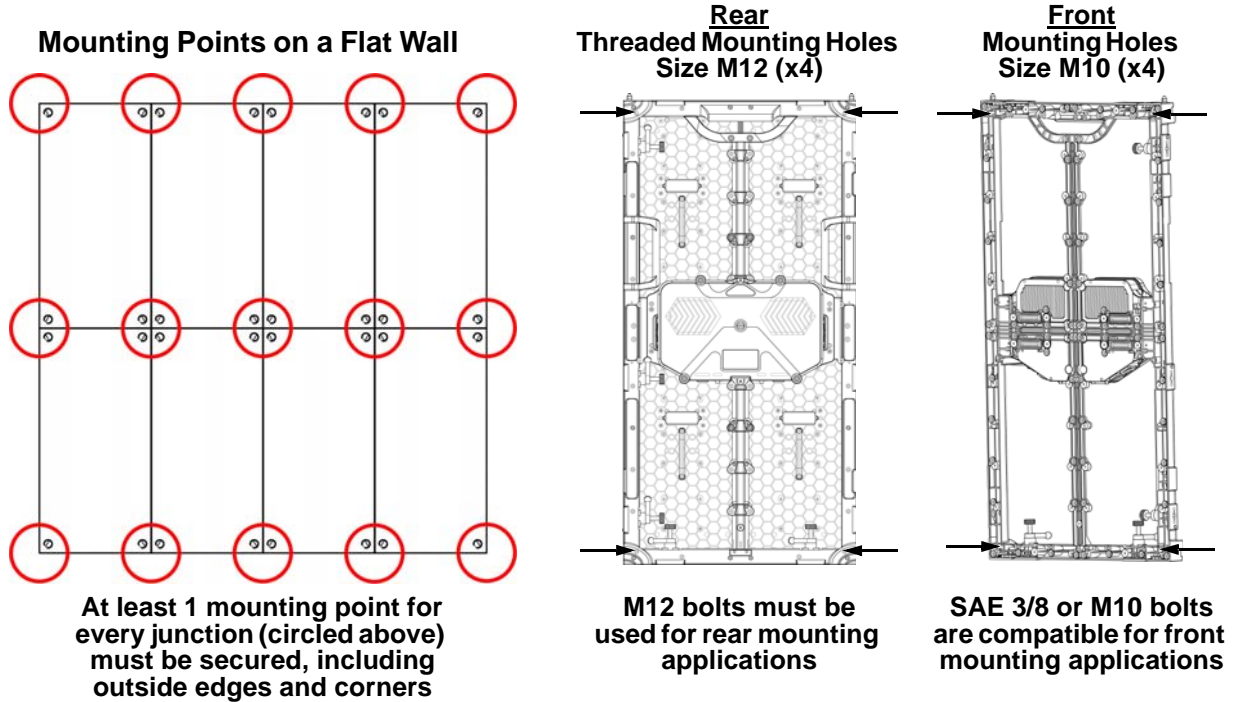
In order to suspend/hang the panels from a truss or other overhead structure, use the F-series Rig Bars (RB-F50CM or -F100CM, sold separately).



The illustrations above are examples only. Please refer to all applicable local codes and regulations for the proper installation of the product.

Flat Wall Installation

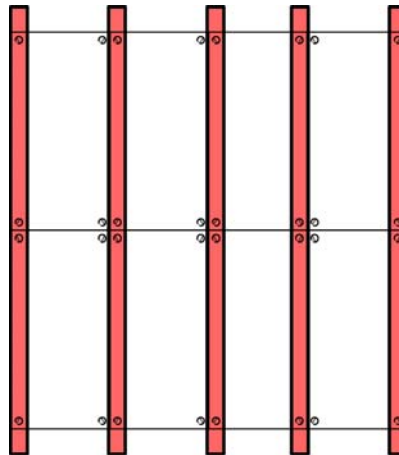
Refer to the following diagram for flat wall installation.



The 4 rear and front mounting holes are intended for flush mount installation to a flat surface against the video panels. 1 mounting point for every junction, including outside edges and corners, must be used in order to maintain structural integrity. The mounting points are not intended for hanging or suspending from a truss or other overhead structure.

Chauvet recommends using a VERTICAL steel strut for each column of panels, plus 1, as in the following diagram:

4 columns + 1
= 5 steel struts

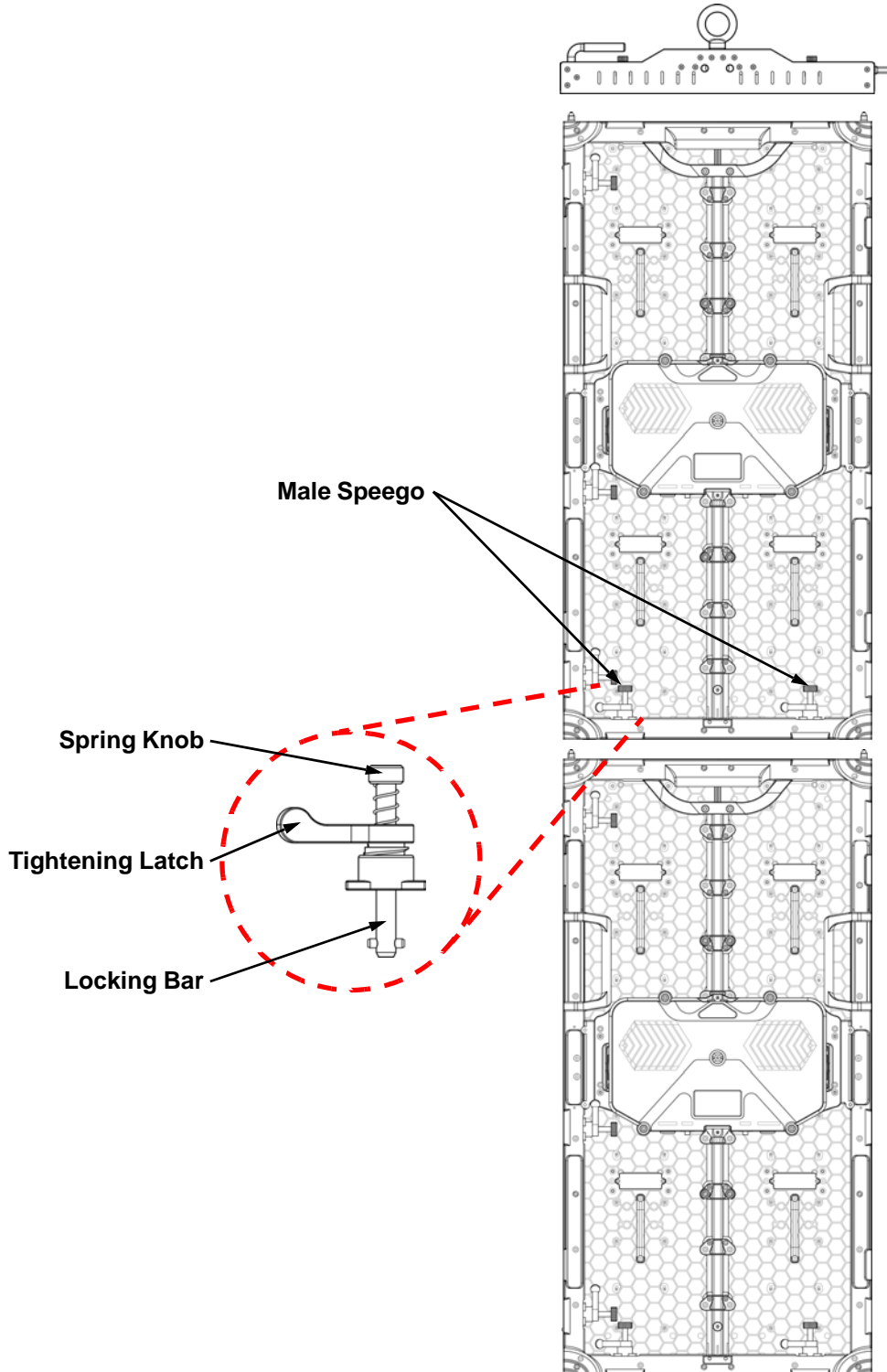


The illustrations above are examples only. Please refer to all applicable local codes and regulations for the proper installation of the product.

5. Joining Each F3 (Creating a Modular Design)

Vertically Joining the Panels

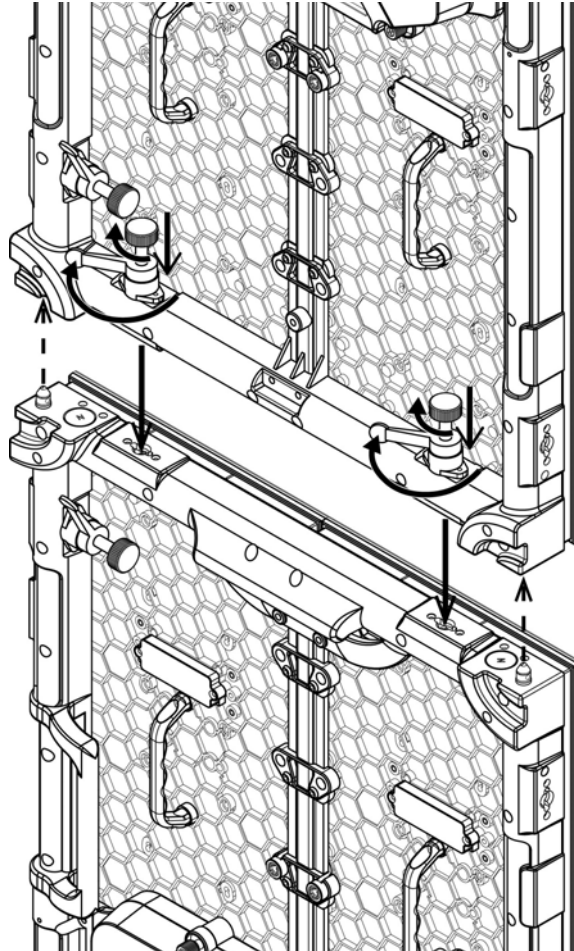
Each F3 can be easily joined vertically to a truss using an optional rig bar and the 2 female Speego connections located at the top corners of each panel. Use the male Speego connections at the bottom of each panel to connect additional panels. These connectors stay recessed when not being used.



Vertical Panel Connection

Use the following instructions to join panels vertically:

1. Line up the alignment conicals at the top of each panel, and the alignment magnets at the top and bottom of each panel.
2. Push male Speego connections into female Speego connections.
3. Turn the spring knobs clockwise 90°.
4. Turn the tightening latches clockwise 180°, until secure.

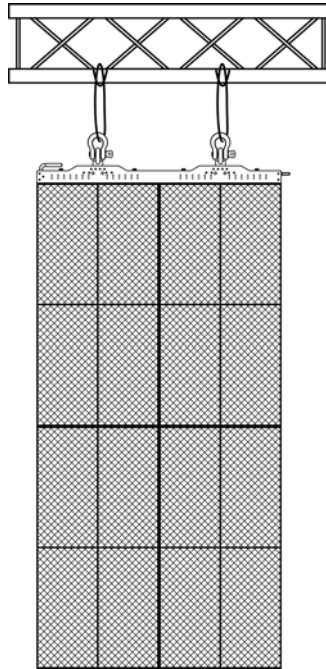


Warning! The magnetic attachments are not load-bearing, and are intended for alignment assistance only. Do not release panel until the hanging hardware has been fully secured.

Joining Each F3 (Creating a Modular Design)

Horizontally Joining the Panels

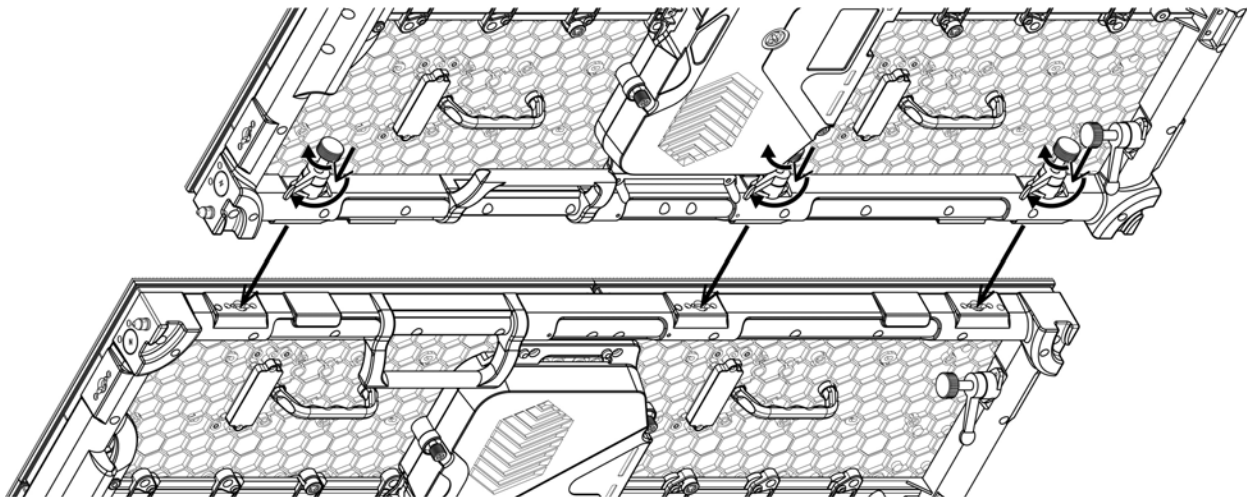
Each F3 can be easily joined horizontally using the Speego connections on the inside, upper and lower left sides of each panel.



Horizontal Panel Connection

Use the following instructions to join panels horizontally:

1. Align each of the panels' male Speego connections with the corresponding female connections on the panels being added.
2. Push male Speego connections into female Speego connections.
3. Turn the spring knobs clockwise 90°.
4. Turn the tightening latches clockwise 180°, until secure.



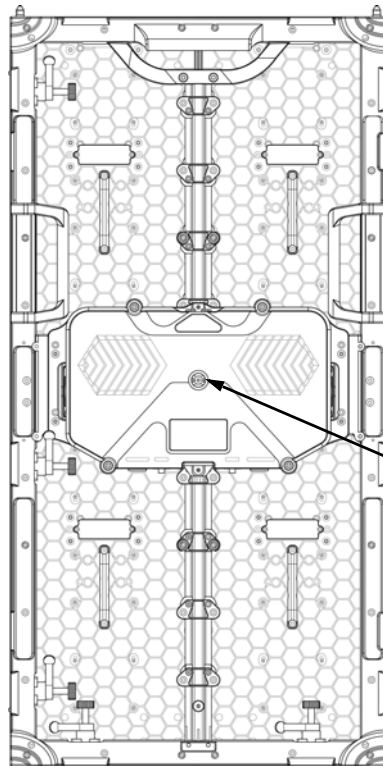
6. Connecting (Cabling) Each F3

Testing Signal and Power Connections

Each F3 has 2 power sockets and 2 signal ports.

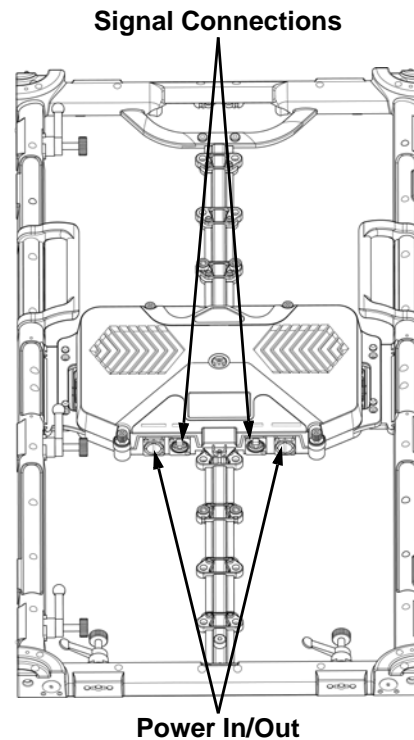
- The Power and Signal connections are located on the underside of the service module of each panel.
- The Signal ports may be used interchangeably.
- Each F3 has LED indicator lights on the test button in the center of the panel.
- Each panel indicates a successful power connection when the Power indicator light remains red.
- Each panel indicates the presence of a signal when the Signal LED indicator light blinks green quickly. When the LED blinks green slowly, there is no signal.

Rear Panel View



**Test Button
Power/Signal
Indicator LEDs**

Underside of Service Access View



Signal Connections

Power In/Out

Using the F3 Test Button

Each F3 has a Test button, used to ensure all LEDs are functional. Use the Test button on each panel to perform a self-test. If self-testing, you must perform the test individually for each F3. You do not need to connect to a signal or use software.



When using the Test button, make sure the F3 is NOT connected to the VIP Drive 43Nova.

To use the Test button, you must connect the power, but do not connect the signal cables. Press the Test button to toggle through various LED light display configurations.

Connecting (Cabling) Each F3

Connecting Power and Signal Cables

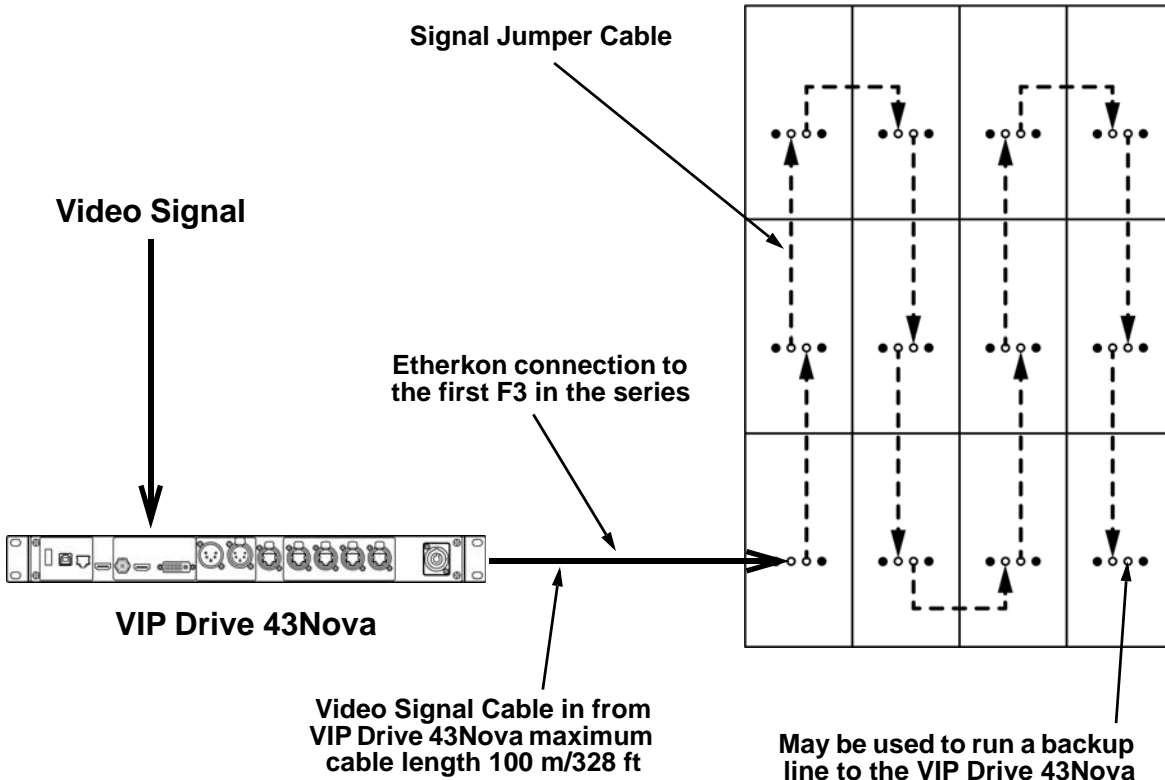
The following sections provide information and diagrams on connecting signal and power between panels. Refer to the [Introduction](#) or [Operation](#) sections in this User Manual for available cables and item numbers.

Connecting the Signal Between Joined Panels

Signal cable panel connections can use several different configurations. The basic configuration to connect the signal from one panel to the next is as follows:

1. The source signal is connected to the first panel.
2. A signal cable is then connected from the first panel.
3. The connections continue to daisy-chain until all panels are connected.
4. The route of the cables used to make the signal connections can vary.

The following diagram is a recommended suggestion for simple signal connections between panels.



Connecting the Power Between Joined Panels

Power cable panel connections can also use different configurations. The basic configuration to connect the main power supply from one panel to the next is:

1. The main power is connected to the first panel's Power Input or Output.
2. A power cable is then connected to the first panel's Power Output and connected to the next panel's Power Input.
3. The connections continue until all panels are connected.

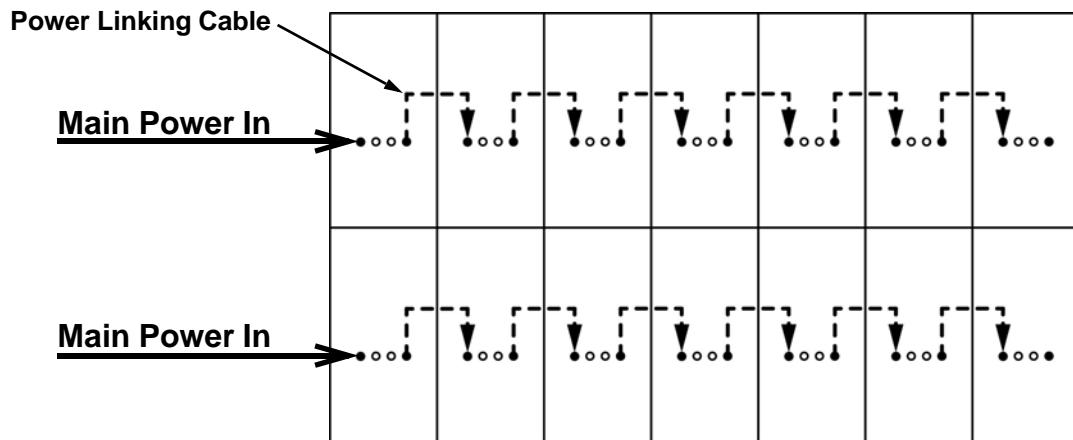
Connect power between the panels using the same procedure as the signal only using the Power Input and Power Output connectors. You must adhere to the power-linking specifications for each F3 model. Refer to the [Power Linking](#) section for details on the number of panels that can be linked based on voltage from a single power connection.



Power linking more panels than recommended will void your warranty and increase the risk of electrocution or fire!

Refer to the following diagram for an example of power connection from the main and to each connected panel.

This example is using an F3 power linking 7 panels horizontally @ 120 V.



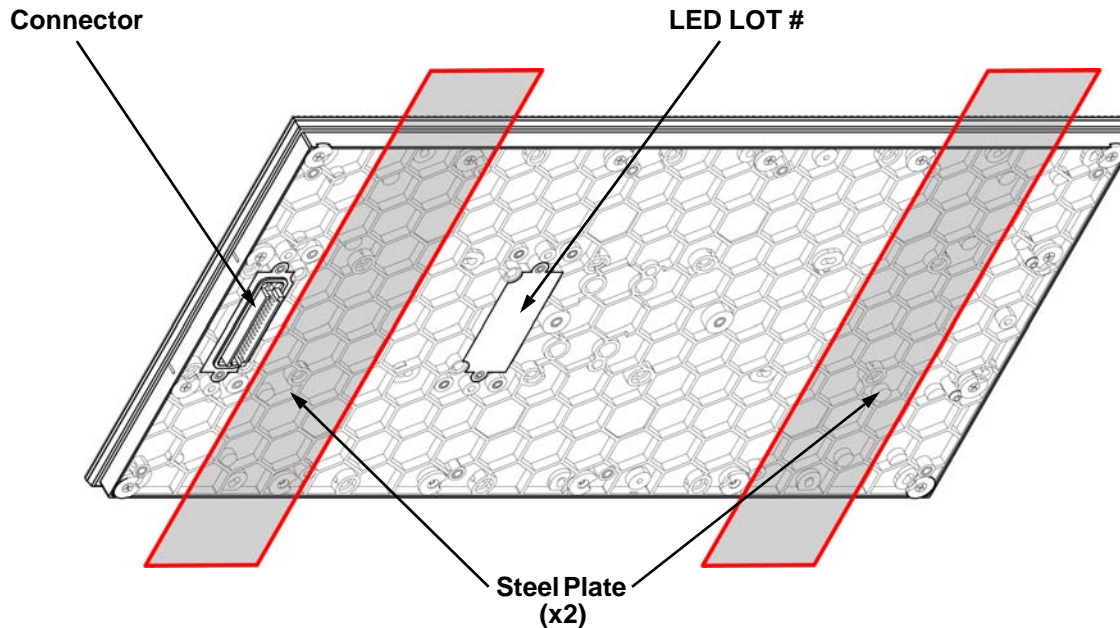
7. LED Module Care and Replacement

F3 Module

Each F3 has 4 LED modules connected to the panel frame by magnets. Each module has a single connector that connects to the main processing unit.

LED Lot Numbers

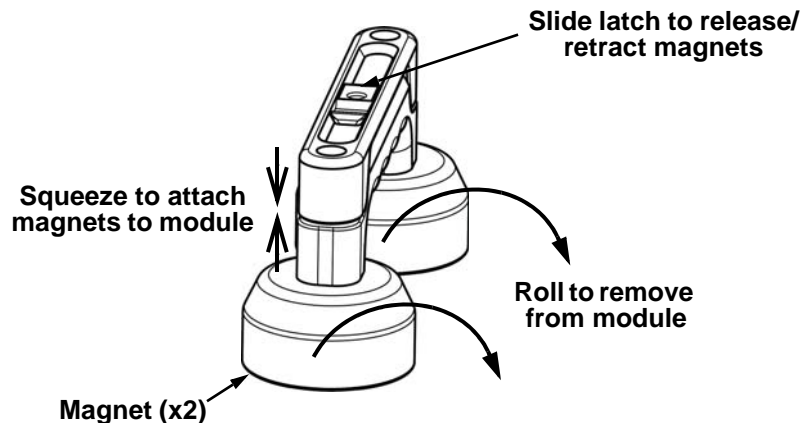
To ensure consistent color matching and output, replace damaged or defective modules with the same LED lot # as the others on the panel. When combining panels to create full video wall systems (rentals, permanent installations, etc.) it is highly recommended that the LED lot #'s on each of the panels match. LED lot #'s can be located on the back of each module.



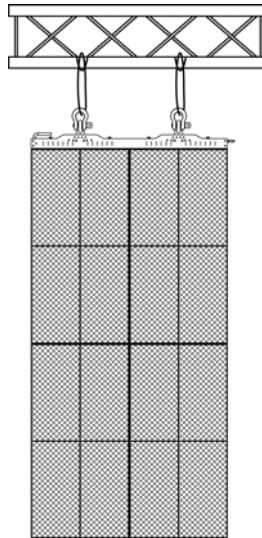
A and B Modules

The F3 has 2 types of modules, designed to only plug in to the Service Module from one direction. Check the orientation of the LED LOT # label to determine whether the module is an A type (top half, connector down) or a B type (bottom half, connector up).

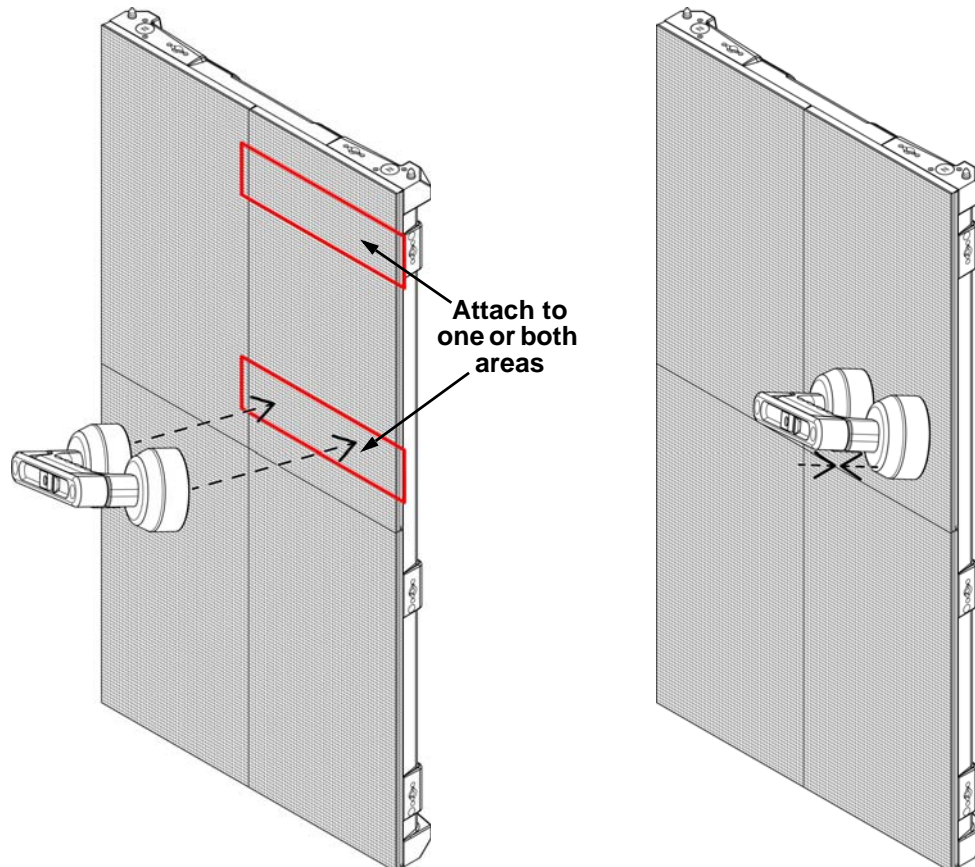
Using MT-03



The MT-03 is specially designed to carefully remove and replace the F3 LED module from the front while the panel is mounted in a video wall setup. Before using this tool, be sure to familiarize yourself with how this tool works by reading all the module removal/installation procedures.

F3 LED Module Removal with MT-03

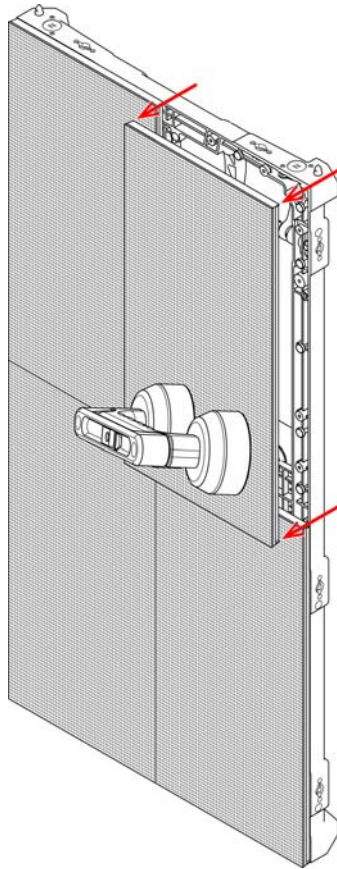
1. Identify the module that needs to be removed.



2. Carefully attach the MT-03 to the top and/or bottom of the module to be removed. Place the MT-03 against the module in the open position, then squeeze the handle trigger in to secure the magnets to the module.



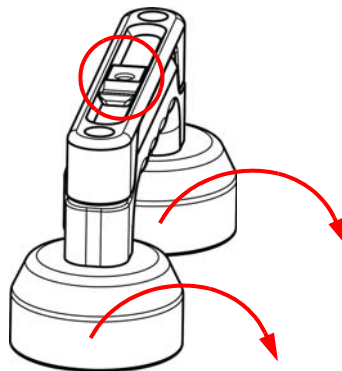
Damage may occur if the MT-03 is not in the open position when placed against the module.



3. With steadily increasing force and keeping as straight as possible, pull the MT-03 back until the module is released from the frame.



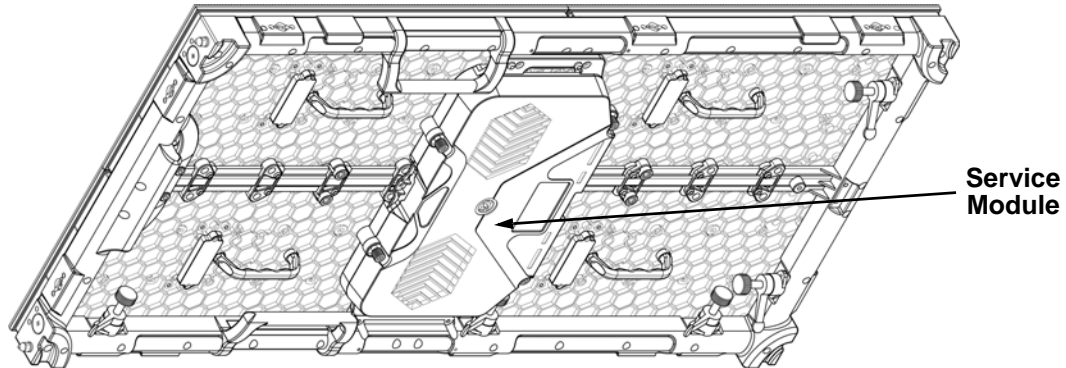
Use caution when removing the module so as not to damage the connector attached to the back of the module.



4. Carefully roll the MT-03 to the side to remove it from the module.
5. Use the slider on the back of the MT-03 to retract the magnets.
6. Reverse the steps to install the replacement module.

8. F3 Panel Configuration

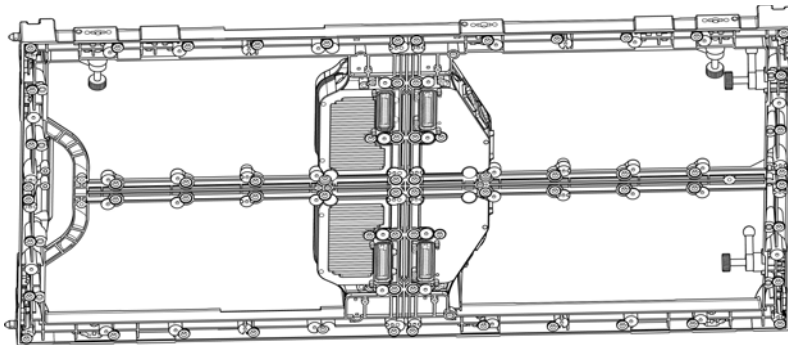
Switching Between Front and Rear Serviceability



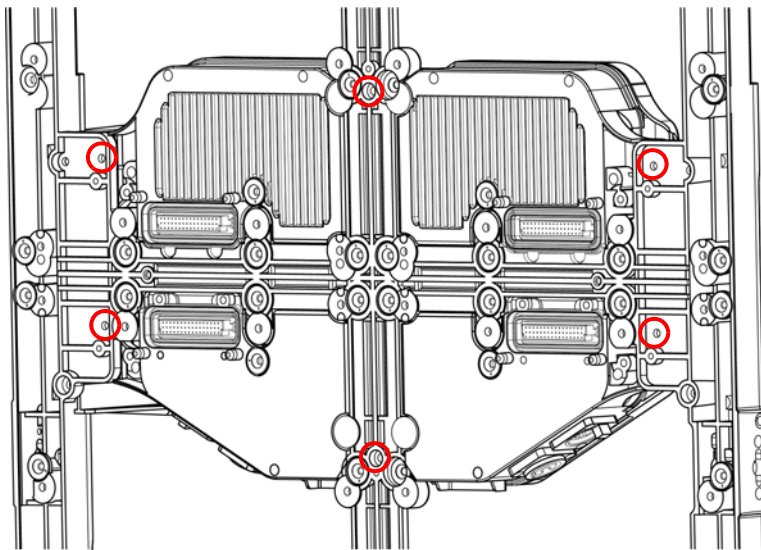
The F3 service module can be accessed and removed from either the front of the panel or the rear of the panel, depending on how the user has configured the panel. This allows the panel to be either entirely front serviceable (default) or entirely rear serviceable, so a technician will not have to walk around an entire video wall multiple times to service a single panel. Follow the instructions below to switch the F3 from front serviceability to rear serviceability:

The F3 should be front serviceable for applications such as mounting against a flat wall, where there can be no access to the rear of the video assembly.

The F3 can be rear serviceable in any application where the rear of the video assembly will be easier to access than the front.



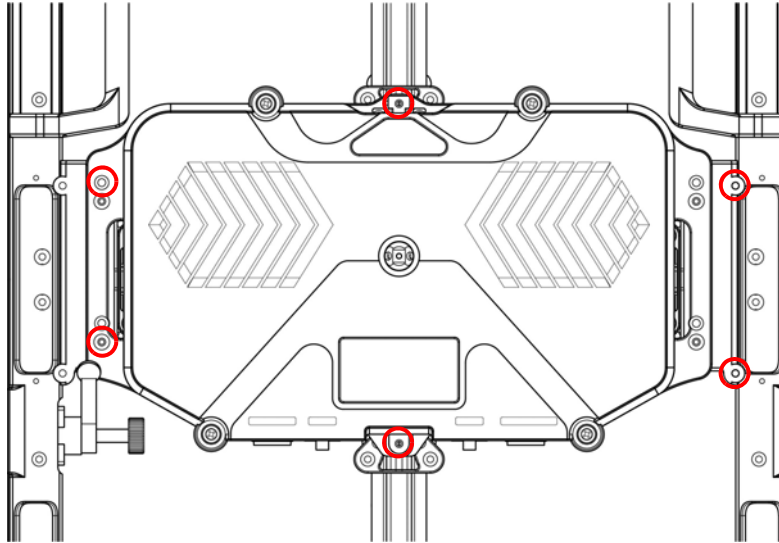
1. Remove the modules as described in [LED Module Care and Replacement](#).



2. Remove six screws from the front of the service module.

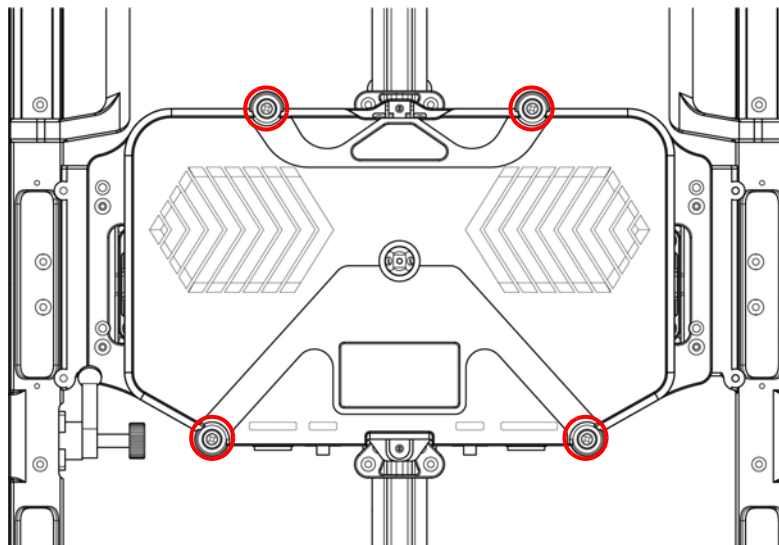


Use caution when removing these screws, as the service module will be detached from the panel frame until the next step is completed.



3. Install those screws into the rear of the service module.
4. Reinstall the modules as described in [LED Module Care and Replacement](#).
5. Reverse the steps to make the panel front serviceable again.

Accessing the Service Module



To access the inside of the service module, remove the 4 thumb screws.

9. Typical F3 Installation

Because a video wall system can include different components to provide a simple to complex modular wall design, use the following steps as a general guide to get started.

Step 1

Open and examine the F3 road case to make sure you have received all products and accessories and that each one is in good condition.

Step 2

Apply power and run the self-test for each F3 to ensure all LEDs and inside connections in each panel are working (optional).

Step 3

Create a stable mounting surface (e.g., truss or other stable surface) for F3 mounting.

Step 4

Mount the first top row of the F3s. Refer to the [Mounting](#) section in this User Manual.

Step 5

Adjust the alignment of the first row using the Speego connectors.

Step 6

Connect the signal source to the VIP Drive 43Nova.

Step 7

Connect the VIP Drive 43Nova to the Signal port of the first panel in your connection chain.

Step 8

Based on your video wall configuration (design), join each panel, either horizontally or vertically, using the instructions in the section [Joining Each F3 \(Creating a Modular Design\)](#).

Refer to the instructions and information in the section of this User Manual, [Connecting \(Cabling\) Each F3](#).

10. Operation

Additional Hardware and Software

In addition to the panels, you will need other hardware and software to design, build, and operate your F3 video wall system. The following table summarizes these additional items—some are required and others are optional.

Item	Description
VIP Drive 43Nova	Interface between the signal source, NovaLCT-Mars, and the F3 being used
NovaLCT-Mars	Software application used to design and run the F3s comprising the video wall. A PC is needed
F-Series Rig Bar (optional)	Provides hardware needed to mount F3
Neutrik® etherCON® Signal Extension (optional)	Neutrik etherCON CAT6 extension cable; 18 in. Neutrik etherCON CAT6 extension cable; 5 ft Neutrik etherCON CAT6 extension cable; 10 ft Neutrik etherCON CAT6 extension cable; 25 ft Neutrik etherCON CAT6 extension cable; 50 ft
Neutrik® powerCON® Extension (optional)	Neutrik powerCON extension, 18 in Neutrik powerCON extension, 5 ft Neutrik powerCON extension, 10 ft Neutrik powerCON extension, 25 ft Neutrik powerCON extension, 50 ft
VIP Media System	Rack mountable video computer system
ArKaos MediaMaster	Video playback software

About NovaLCT-Mars

NovaLCT-Mars is a powerful and easy-to-learn software application used to design and run the F3 video wall system. The following is some introductory information about this software.

Refer to the VIP Drive 43Nova User Manual for detailed information and instructions on setting up and using NovaLCT-Mars with your Chauvet F3 video wall system.

Description

NovaLCT-Mars enables you to create and control your video wall by addressing the panels included in your video wall including pixel pitch and layout.

Once you have physically created your modular video wall design by joining the panels, connecting power, signals, and the VIP Drive 43Nova, you recreate that design within NovaLCT-Mars.

Detailed information and instructions are in the VIP Drive 43Nova User Manual.



Chauvet does not recommend using NovaLCT-Mars for live show playback. For this purpose, Chauvet offers Arkaos MediaMaster, which offers numerous playback triggers, including DMX, Art-Net, MA-net, MIDI, and QWERTY.

11. Technical Information

F3 Maintenance

To maintain optimum performance and minimize wear, the user should clean this product regularly. Usage and environment are contributing factors in determining the cleaning frequency.

As a rule, clean this product at least twice a month. Dust build-up reduces light output performance and can cause overheating. This can lead to reduced light source life and increased mechanical wear.

To clean an F3, follow the recommendations below:

1. Unplug the panel from power.
2. Wait until the product is at room temperature.
3. Use a soft brush to remove dust collected on the external components.
4. Wipe the outside of the LED Modules with a soft, lint-free cloth dampened with a solution of water and detergent. Apply gentle pressure only.
5. Make sure all connections are thoroughly dry before reconnecting power and signal cables.



Always dry the external surfaces carefully after cleaning them.

Returns

You must send the product prepaid, in the original box, and with the original packing and accessories. Chauvet will not issue call tags.

Call Chauvet and request a Return Merchandise Authorization (RMA) number before shipping the product. Be prepared to provide the model number, serial number, and a brief description of the cause(s) for the return.

To submit a service request online, go to www.chauvetprofessional.com/service-request.

Clearly label the package with an RMA number. Chauvet will refuse any product returned without an RMA number.



DO NOT write the RMA number directly on the box. Instead, write it on a properly affixed label.

Once you have received the RMA number, include the following information on a piece of paper inside the box:

- Your name
- Your address
- Your phone number
- The RMA number
- A brief description of the problem(s)

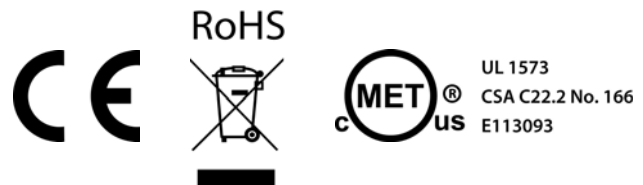
Be sure to pack the product properly. Any shipping damage resulting from inadequate packaging will be the customer's responsibility. FedEx packing or double-boxing is recommended.



Chauvet reserves the right to use its own discretion to repair or replace returned product(s).

12. Technical Specifications

Light Source	Tri-color RGB SMD 2121 LED
Pixels per Panel	128 x 256 (32,768 total)
Pixel Pitch (between LEDs)	3.9 mm
Pixel Density	65,536/m ²
Display Refresh Rate	3,840 Hz
Viewing Angle	140°
Calibrated Illuminance	1,500 NITS
Maximum Illuminance	TBD NITS
Red Wavelength	619 to 624 nm
Green Wavelength	522 to 525 nm
Blue Wavelength	468 to 471 nm
Power Supply Type	Switching
AC Voltage Range	100–240 VAC, 50/60 Hz
Voltage Selection	Auto-ranging
Power Consumption 120 V, 60 Hz	263 W, 2.18 A
Power Consumption 208 V, 60 Hz	265 W, 1.28 A
Power Consumption 230 V, 50 Hz	269 W, 1.16 A
Power Linking @ 120 V, 60 Hz	8 units
Power Linking @ 208 V, 60 Hz	14 units
Power Linking @ 230 V, 50 Hz	15 units
Dimensions	19.69 x 3.5 x 39.37 in (500 x 89 x 1000 mm)
Weight	28.6 lb (13 kg)
Transparency	0%
Housing Material	Magnesium die-cast
Power Connection	Seetronic Powerkon®
Data Connection	Seetronic Etherkon®
Item Name (4-Pack Road Case)	F3X4
Item Name (1-Pack)	F3X1
Item Code (4-Pack Road Case)	23091316
Item Code (1-Pack)	23111317
UPC Number (4-Pack Road Case)	781462216641
UPC Number (1-Pack)	781462216658



Contact Us

WORLD HEADQUARTERS	
General Information	Technical Support
Address: 5200 NW 108th Ave. Sunrise, FL 33351 Voice: (954) 577-4455 Fax: (954) 929-5560 Toll Free: (800) 762-1084	Voice: (844) 393-7575 Fax: (954) 756-8015 Email: chauvetcs@chauvetlighting.com
	Website www.chauvetlighting.com
EUROPE	
General Information	Technical Support
Address: Stokstraat 18 9770 Kruishoutem Belgium Voice: +32 9 388 93 97	Email: eutech@chauvetlighting.eu
	Website www.chauvetlighting.eu
General Information	
General Information	Technical Support
Address: Unit 1C Brookhill Road Industrial Estate Pinxton, Nottingham, UK NG16 6NT Voice: +44 (0) 1773 511115 Fax: +44 (0) 1773 511110	Email: uktech@chauvetlighting.com
	Website www.chauvetlighting.co.uk
MEXICO	
General Information	Technical Support
Address: Av. de las Partidas 34 - 3B (Entrance by Calle 2) Zona Industrial Lerma Lerma, Edo. de México, CP 52000 Voice: +52 (728) 690-2010	Email: servicio@chauvet.com.mx
	Website www.chauvet.com.mx

Visit the applicable website above to verify our contact information and instructions to request support. Outside the U.S., United Kingdom, Ireland, Mexico or Benelux, contact the dealer of record.

NOTAS DE LA EDICIÓN

El Manual de usuario del F3 contiene una descripción, precauciones de seguridad e instrucciones de instalación, programación, funcionamiento y mantenimiento del F3 en el momento de la publicación de esta edición.

Marcas registradas

CHAUVET, el logotipo de Chauvet y F3 son marcas comerciales o marcas registradas de Chauvet & Sons LLC (con nombres comerciales Chauvet y Chauvet Lighting) en los Estados Unidos y otros países. Otras empresas, nombres de productos y logotipos a los que se haga referencia aquí pueden ser marcas comerciales de sus respectivas empresas.

Aviso de derechos de autor

Las obras de autoría contenidas en este manual, incluyendo, pero sin limitarse a ellas, todos los dibujos, textos e imágenes, son propiedad de Chauvet.

© Copyright 2017, Chauvet & Sons, LLC. Todos los derechos reservados.

Publicado en formato electrónico por Chauvet en los Estados Unidos de América.

Uso del manual

Chauvet autoriza a sus clientes a descargar e imprimir este manual solo para propósitos de información profesional. Chauvet prohíbe expresamente la utilización, copia, almacenamiento, distribución, modificación o impresión de este manual o su contenido, con cualquier fin, sin consentimiento escrito de Chauvet.

Impresión del documento

Para mejores resultados, imprima este documento en color, en papel tamaño carta (215,9 × 279,4 mm), a doble cara. Si usa papel A4 (210 x 297 mm), configure la impresora para escalar el contenido proporcionalmente.

Destinatarios

Cualquier persona a cargo de la instalación, manejo y/o mantenimiento de este producto debe leer íntegramente la guía que se entrega con el producto, así como este manual, antes de instalar, manejar o mantener este producto.

Exención de responsabilidad

Chauvet cree que la información contenida en este manual es exacta en todos los aspectos. Sin embargo, Chauvet no asume responsabilidad alguna, y queda exenta específicamente de todas y cada una de las responsabilidades y obligaciones, de la clase que sean y para con cualquier parte, por pérdida, perjuicio o trastorno causados por cualquier error u omisión en este documento, tanto si tales errores y omisiones se deben a negligencia o accidente como a cualquier otra causa. Chauvet se reserva el derecho a revisar el contenido de este documento sin ninguna obligación de notificar dicha revisión a ninguna persona o empresa; sin embargo, Chauvet no está en absoluto obligado a hacerlo así, ni se compromete a realizar revisión alguna.

Revisión del documento

Este manual del usuario del F3 es la 2^{do} edición de este documento. Visite www.chauvetprofessional.com para obtener la última versión.

1. Antes de empezar

Qué va incluido

- 4 F3
- 1 cable de alimentación Seetronic Powerkon®
- 4 cables de enlace de alimentación Seetronic Powerkon®
- 4 cables de enlace de señal Seetronic Etherkon®
- Tarjeta de garantía
- Manual de usuario

Reclamaciones

Inmediatamente después de recibirlo, desembale este producto con cuidado y compruebe el contenedor. Asegúrese de que ha recibido todas las partes que se indican arriba en buenas condiciones.




A su recepción, si el continente o el contenido (el producto y los accesorios incluidos) parecen dañados a causa del transporte o muestran signos de manipulación inadecuada, notifíquesele inmediatamente al transportista, y no a Chauvet. Si no lo hace oportunamente, puede quedar invalidada su reclamación al transportista. Además, guarde la caja y todo el material de embalaje para su inspección.

Para otras incidencias, como componentes o piezas que falten, daños no relacionados con el transporte o daños no evidentes, presente una reclamación a Chauvet en el plazo de 7 días de la recepción de la mercancía.

Convenciones del manual

Convención	Significado
1-512	Un rango de valores en el texto
50/60	Un conjunto de valores mutuamente excluyentes en el texto
<SET>	Un botón en el panel de control del producto
Settings	Una función del producto o una opción de menú

Símbolos

Símbolos	Significado
	Instalación, configuración o información crítica sobre el funcionamiento. El incumplimiento de esta información puede causar que el producto no funcione, que se averíe, u ocasionar daños al usuario.
	Instalación o información de configuración importante. Hacer caso omiso de esta información puede hacer que el producto no funcione.
	Información útil.

Notas de seguridad

Por favor, lea todas las notas de seguridad siguientes antes de poner en funcionamiento este producto. Estas notas contienen información importante de seguridad sobre la instalación, uso y mantenimiento de este producto.



Este producto no contiene piezas reparables por el usuario. Cualquier referencia a la reparación en este manual de usuario se aplicará solamente a técnicos certificados, adecuadamente formados. No abra la carcasa ni intente ninguna reparación.



Todos los códigos locales y regulaciones correspondientes se aplican a la instalación adecuada de este producto.

Seguridad personal

- Evite la exposición directa de los ojos a la fuente de luz mientras es producto esté encendido.
- Desconecte siempre este producto de la alimentación antes de repararlo.
- Conecte siempre el producto a un circuito con toma de tierra para evitar el riesgo de electrocución.
- No toque la carcasa del producto cuando esté en funcionamiento, porque podría estar muy caliente.

Montaje

- ¡Este producto es para uso en interiores solamente!
- Para evitar riesgos de incendio o descarga, no exponga este producto a la lluvia o la humedad (IP31).
- CUIDADO: cuando traslade el producto desde ambientes de temperatura extrema (p. ej., desde un camión frío a una sala de fiestas húmeda y caliente) se puede formar condensación en la electrónica interna del producto. Para evitar que se produzca un fallo, deje que el producto se aclimate totalmente al entorno antes de conectar la alimentación.
- Monte este producto en una ubicación con ventilación adecuada, al menos a 20 in (50 cm) de superficies adyacentes.
- Asegúrese de que no hay materiales inflamables cerca de este producto cuando esté en funcionamiento.
- No mueva nunca el producto tirando del cable de alimentación.

Alimentación y cableado

- Asegúrese de que el cable de alimentación no está retorcido ni estropeado.
- Asegúrese siempre de que conecta este producto a la tensión adecuada, en concordancia con las especificaciones de este manual o de la etiqueta de especificación del producto.
- Para evitar un desgaste innecesario y alargar su vida útil, desconecte completamente el producto de la alimentación mediante el interruptor o desenchufándolo durante periodos en que no se use.
- Nunca conecte este producto a un regulador de intensidad o reostato.
- Nunca desconecte este producto agarrando o tirando del cable de alimentación.

Funcionamiento

- No haga funcionar este producto si hay daño en la carcasa o en los cables. Haga que un técnico autorizado sustituya todas las piezas estropeadas.
- No cubra las ranuras de ventilación cuando esté funcionando, para evitar sobrecalentamiento interno.
- La temperatura ambiente máxima es de 113 °F (45 °C). No haga funcionar el producto a temperaturas más altas.
- ¡En caso de un problema grave de funcionamiento, deje de usar este producto inmediatamente!



Si su producto de Chauvet necesita reparación, póngase en contacto con el servicio técnico de Chauvet.

2. Introducción

Descripción del producto

El F3 es un panel de vídeo de 1 metro por 50 centímetros, ideal tanto para la instalación como para el mercado de alquiler. Funciona con el protocolo de control Novastar y tiene acceso total para reparación y mantenimiento desde la parte delantera y trasera con módulos LED magnéticos. Este producto se puede montar directamente sobre un muro plano, gracias a su acceso de mantenimiento delantero.

Características

- Panel de vídeo con un pitch de 3,9 mm que funciona con el VIP Drive 43Nova, utilizando el protocolo de control Novastar
- Los LED de cuerpo negro reproducen con precisión calidades de vídeo de alto contraste
- La carcasa de magnesio moldeado a presión de 1.000 x 500 mm convierte a este producto en uno de los más ligeros de su clase
- Los módulos LED magnéticos y la caja de control modular permiten un mantenimiento rápido y fácil
- El acceso anterior y posterior completo facilita la instalación y el mantenimiento
- El sistema modular permite la instalación frontal sobre una estructura plana, llevando al máximo la velocidad de instalación
- La conexión magnética y los pivotes de posicionamiento ayudan a colgar los paneles
- Fuentes de alimentación de reserva dobles para una imagen más estable
- Los módulos inteligentes con memoria dedicada mejoran la calidad de la imagen y simplifican el mantenimiento
- Sustituya fácilmente las máscaras LED sin herramientas, para que la pantalla siga siendo plana incluso después de una mala manipulación

Productos adicionales

- VIP Drive 43Nova (requerido)

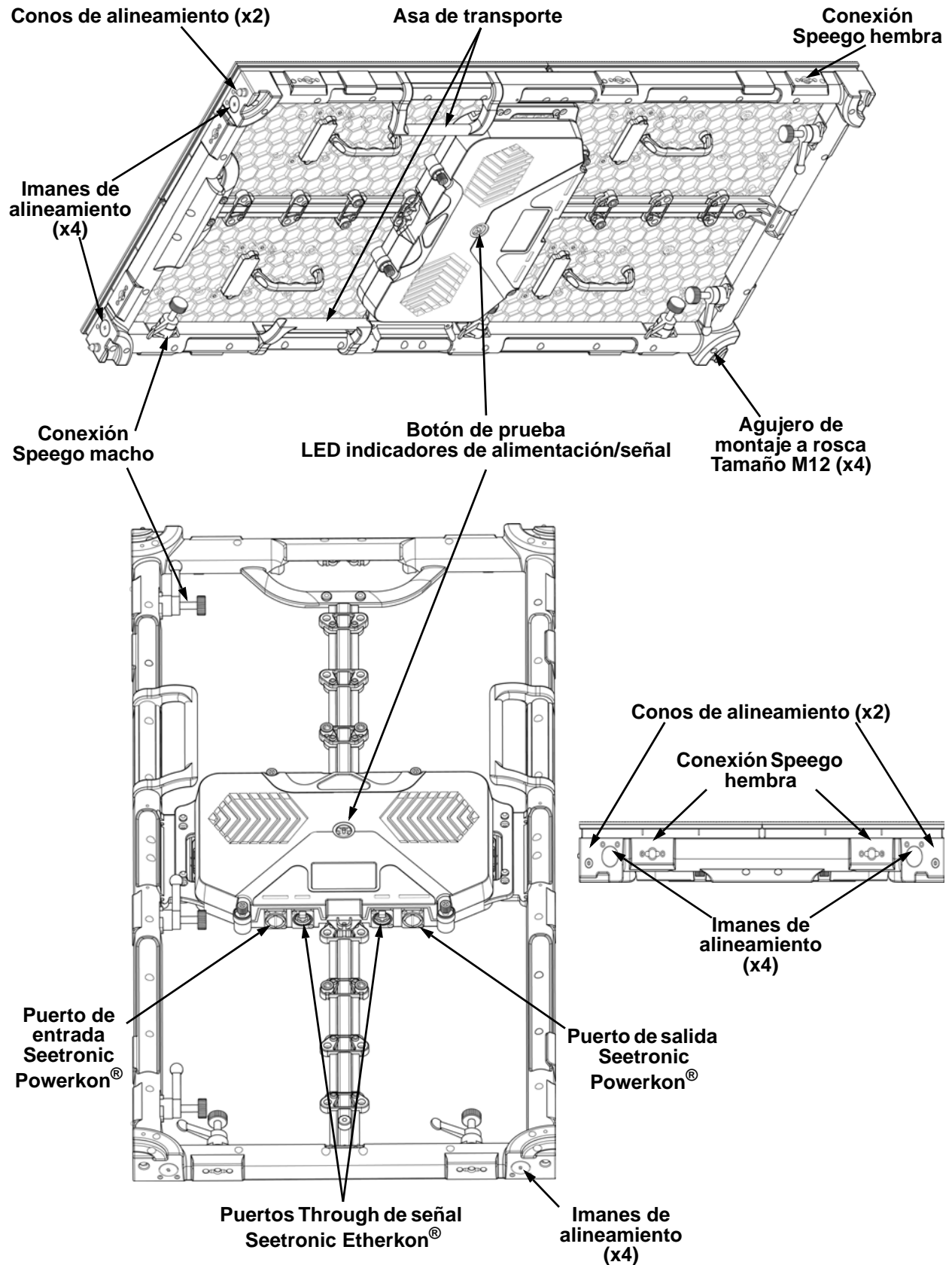
Accesorios opcionales

- VIP Media Server
- Software ArKaos Media Master Express + KN
- Herramienta de desmontaje de módulo MT-03
- F-Series Rig Bar (RB-F50CM, RB F100CM)

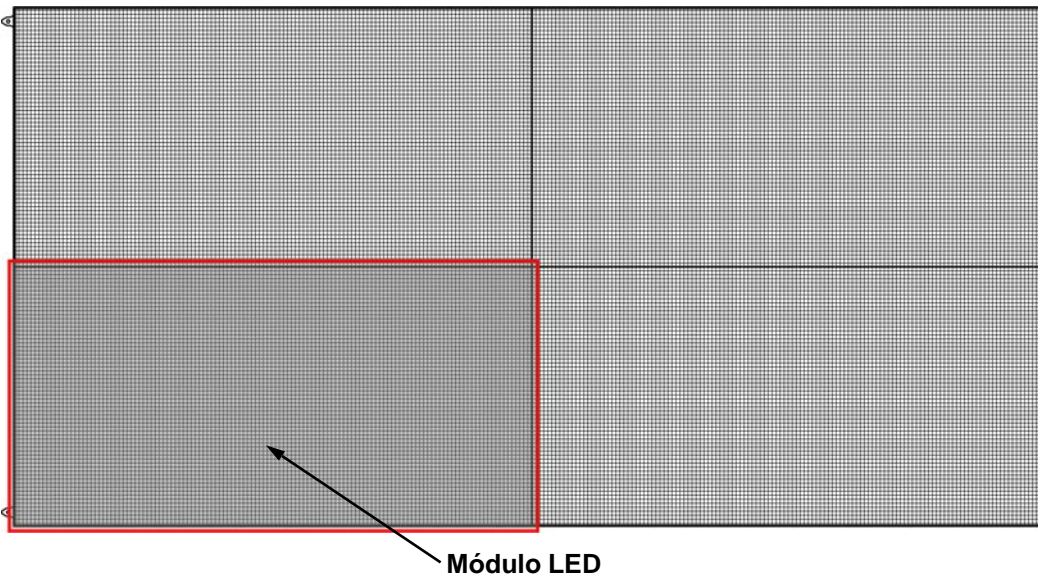
Cables de alimentación y señal disponibles

- Cables de señal (extensiones de señal Neutrik® etherCON® CAT6)
 - ETHERCONEXT18IN
 - ETHERCONEXT5FT
 - ETHERCONEXT10FT
 - ETHERCONEXT25FT
 - ETHERCONEXT50FT
- Cables de alimentación (extensiones Neutrik® powerCON®)
 - POWERCONEXT18IN
 - POWERCONEXT5FT
 - POWERCONEXT10FT
 - POWERCONEXT25FT
 - POWERCONEXT50FT

Vista general del producto



Píxeles por panel



Cada píxel es 1 LED tricolor. La siguiente tabla indica los píxeles por panel en cada F3. Para ver las especificaciones en detalle, consulte la tabla [Especificaciones técnicas](#) al final de este manual de usuario.

Parámetro	F3
Píxeles por panel	128 x 256
Píxeles totales por panel	32,768
Píxeles por módulo LED	64 x 128
Píxeles totales del módulo LED	8,192
Dimensiones del módulo LED	250 x 500 mm

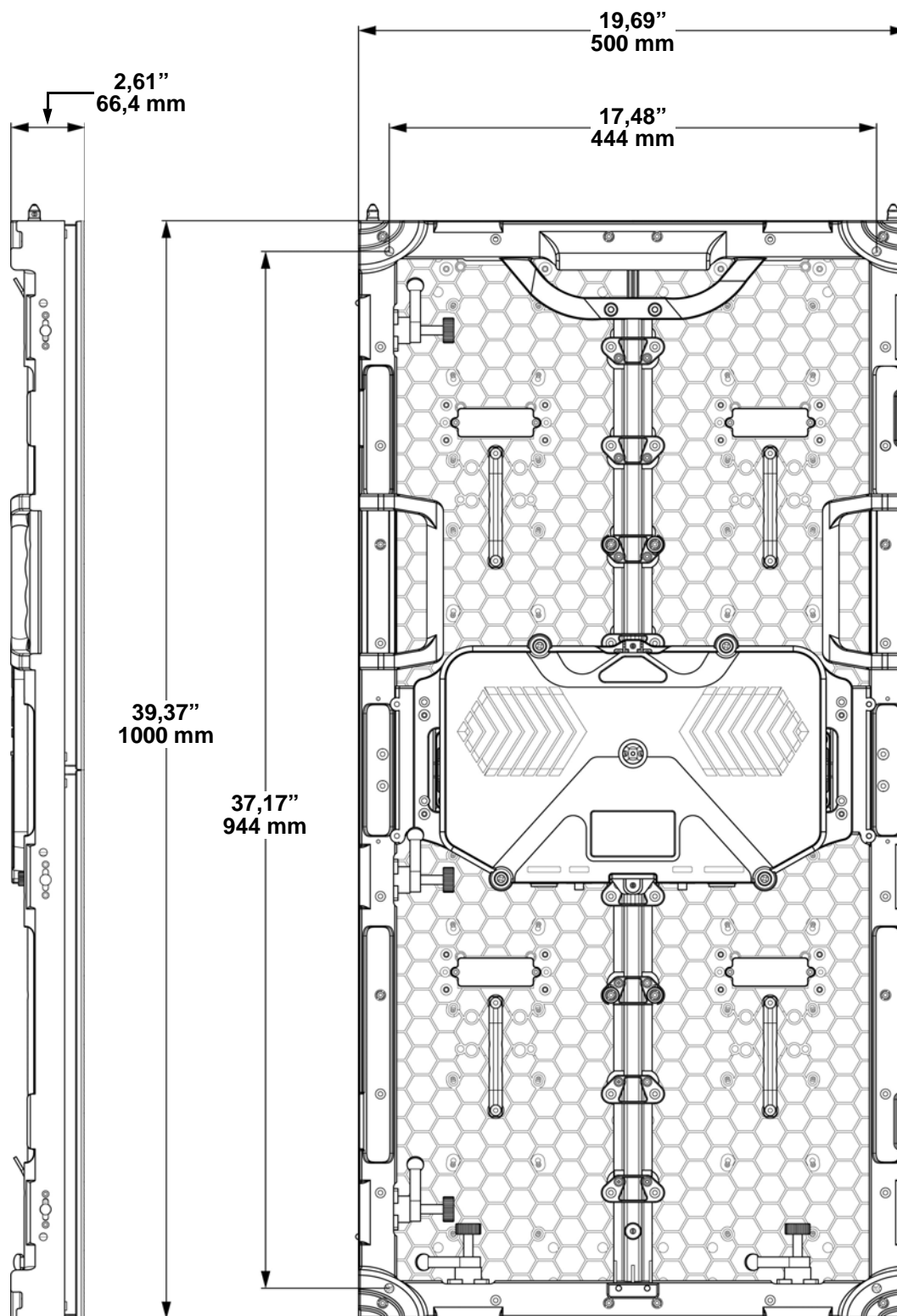
Para calcular el número de paneles, en horizontal o en vertical, soportados por un solo VIP Drive 43Nova, se utilizarán:

- El número de píxeles por panel.
- La resolución de pantalla que le gustaría usar para su pantalla de mural de vídeo.



Es necesario el VIP Drive 43Nova para manejar un sistema de mural de vídeo. Más adelante en este manual aparecen diagramas con la forma de conectar los paneles F3 y el VIP Drive 43Nova. Para ver una información detallada sobre el VIP Drive 43Nova y ejemplos de cálculos de paneles, consulte la guía de referencia rápida del VIP Drive 43Nova.

Dimensiones del producto



3. Instalación

Corriente alterna

Todos los F3 tienen una fuente de alimentación con detección automática (auto-rango) que funciona con un rango de tensión de entrada de 100–240 VCA, 50/60 Hz. Para determinar los requisitos de alimentación de cada F3, consulte la etiqueta fijada en el producto. También puede consultar el cuadro de [Especificaciones técnicas](#) de este manual.

La especificación de corriente listada indica el consumo de corriente máximo con funcionamiento normal. Para más información, puede descargar Dimensionar Interruptores Automáticos del sitio web de Chauvet: www.chauvetprofessional.com.



- **Conecte siempre este producto a un circuito protegido con una toma de tierra eléctrica apropiada para evitar el riesgo de electrocución o incendio.**
- **Para evitar un desgaste innecesario y alargar su vida útil, desconecte completamente el producto de la alimentación mediante el interruptor o desenchufándolo durante periodos en que no se use.**



Nunca conecte este producto a un reostato (resistor variable) o circuito de atenuación, incluso si el canal del reostato o atenuador sirve solo como conmutador 0 a 100%.

Enchufe CA

Cada F3 viene con un cable de alimentación en cadena para conectar la alimentación entre paneles, además de un cable de entrada de alimentación.

Este cable tiene un conector Seetronic Powerkon® para conectar al F3 y un enchufe Edison para la entrada de alimentación. Utilice la tabla de más abajo como referencia para cablear un enchufe nuevo.

Conexión	Cable (EE.UU.)	Cable (Europa)	Color del tornillo
CA Cargado	Negro	Marrón	Amarillo/Latón
CA Neutro	Blanco	Azul	Plata
CA Tierra	Verde/Amarillo	Verde/Amarillo	Verde

Alimentación en cadena

Todos los paneles F3 admiten alimentación en cadena. Consulte la tabla siguiente para las especificaciones de cada panel.

Tensión	Productos F3
a 120 V, 60 Hz	8
a 208 V, 60 Hz	14
a 230 V, 50 Hz	15



Por favor, consulte todos los códigos locales y regulaciones correspondientes para la instalación adecuada de este producto.

4. Montaje

Orientación

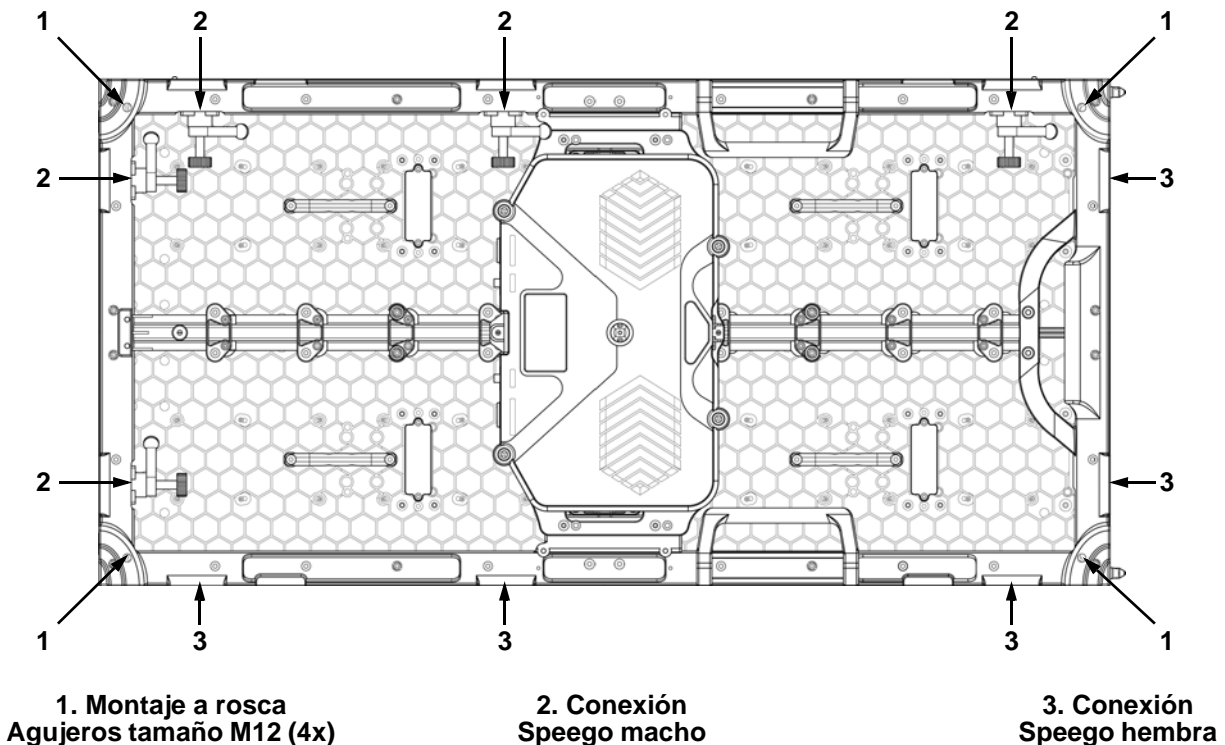
Todos los F3 están fabricados en aleación de magnesio. Esto garantiza que cada panel es estable y fácil de instalar. Cada panel tiene también cómodas asas integradas situada en la parte superior de la trasera del panel, junto con un pivote de alineamiento en la parte de arriba. Esta combinación le posibilita agarrar fácilmente y sujetar con seguridad cada panel mientras trabaja con los paneles y los monta.

Los F3 se pueden ensamblar para proporcionar un número indefinido de diseños modulares. Los paneles de la parte superior de pueden colgar con seguridad de un truss u otra superficie estable. Cuélguelos siempre en una posición segura con espacio adecuado para la ventilación, configuración y mantenimiento.

Chauvet recomienda que se sigan las siguientes directrices generales.

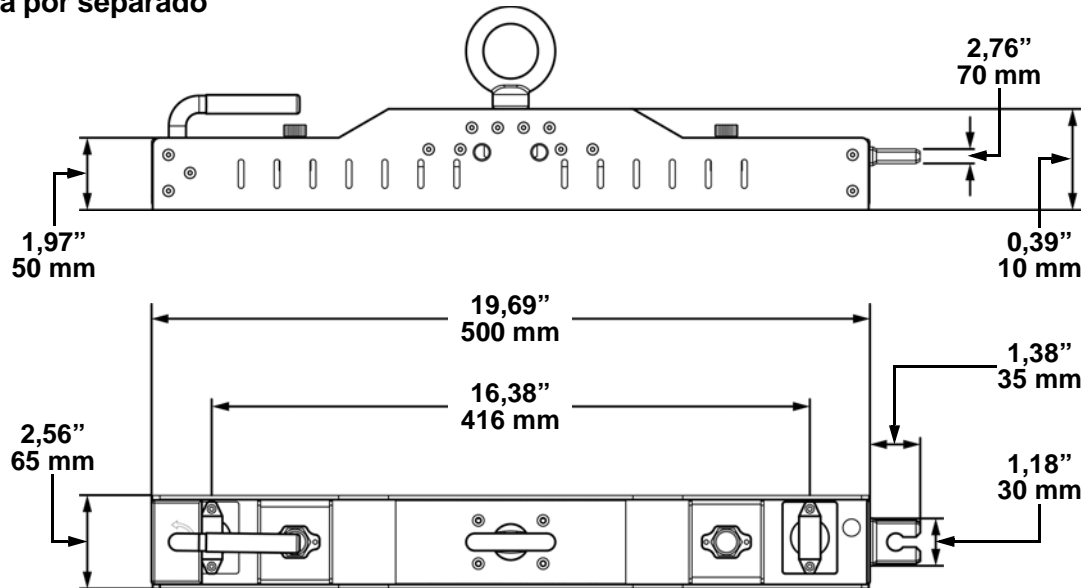
- Cuando seleccione una ubicación para instalar, tenga en cuenta la facilidad de acceso para el manejo y para el mantenimiento de rutina.
- Asegúrese de colgarlo apartado de cualquier material inflamable, como se indica en el apartado [Notas de seguridad](#).
- Nunca monte en lugares donde la lluvia, cambios extremos de temperatura o ventilación limitada puedan afectarlo.
- Asegúrese de que la estructura y los puntos de acoplamiento de los que va a colgar los paneles pueden soportar el peso.
- Asegúrese de que todo el material utilizado para sustentar carga puede soportar el peso.
- Consulte las [Especificaciones técnicas](#) Especificaciones técnicas para ver los requisitos de soporte de peso de cada F3.

Puntos de montaje



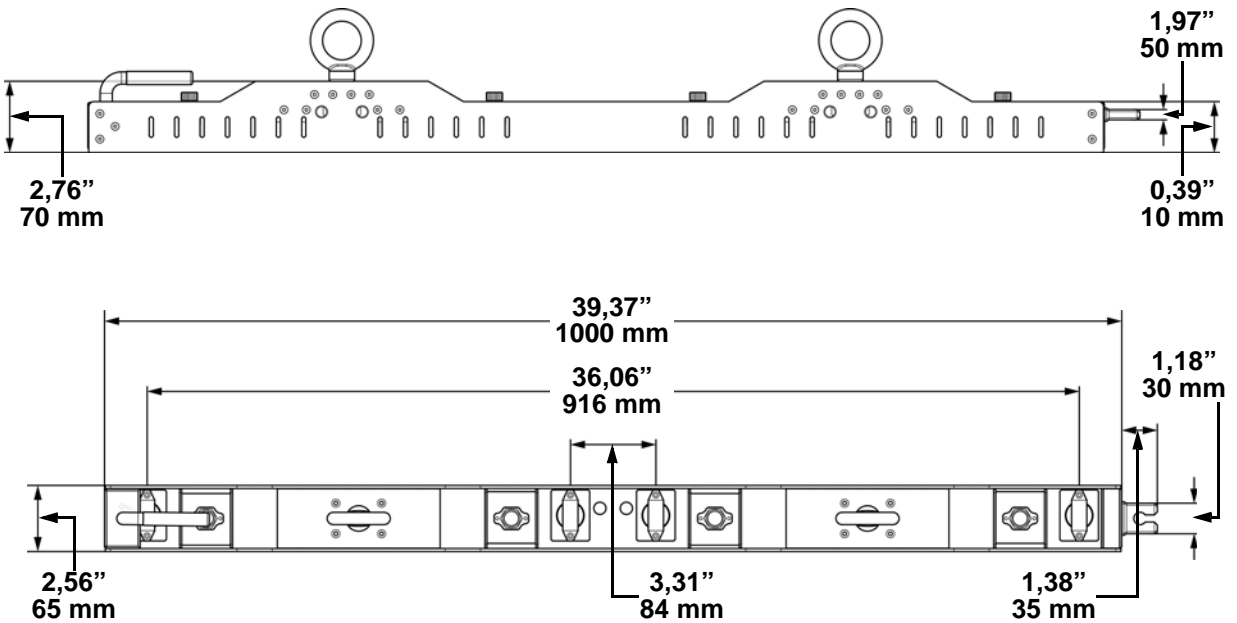
Dimensiones de la Rig Bar RB-F50CM

Vendida por separado

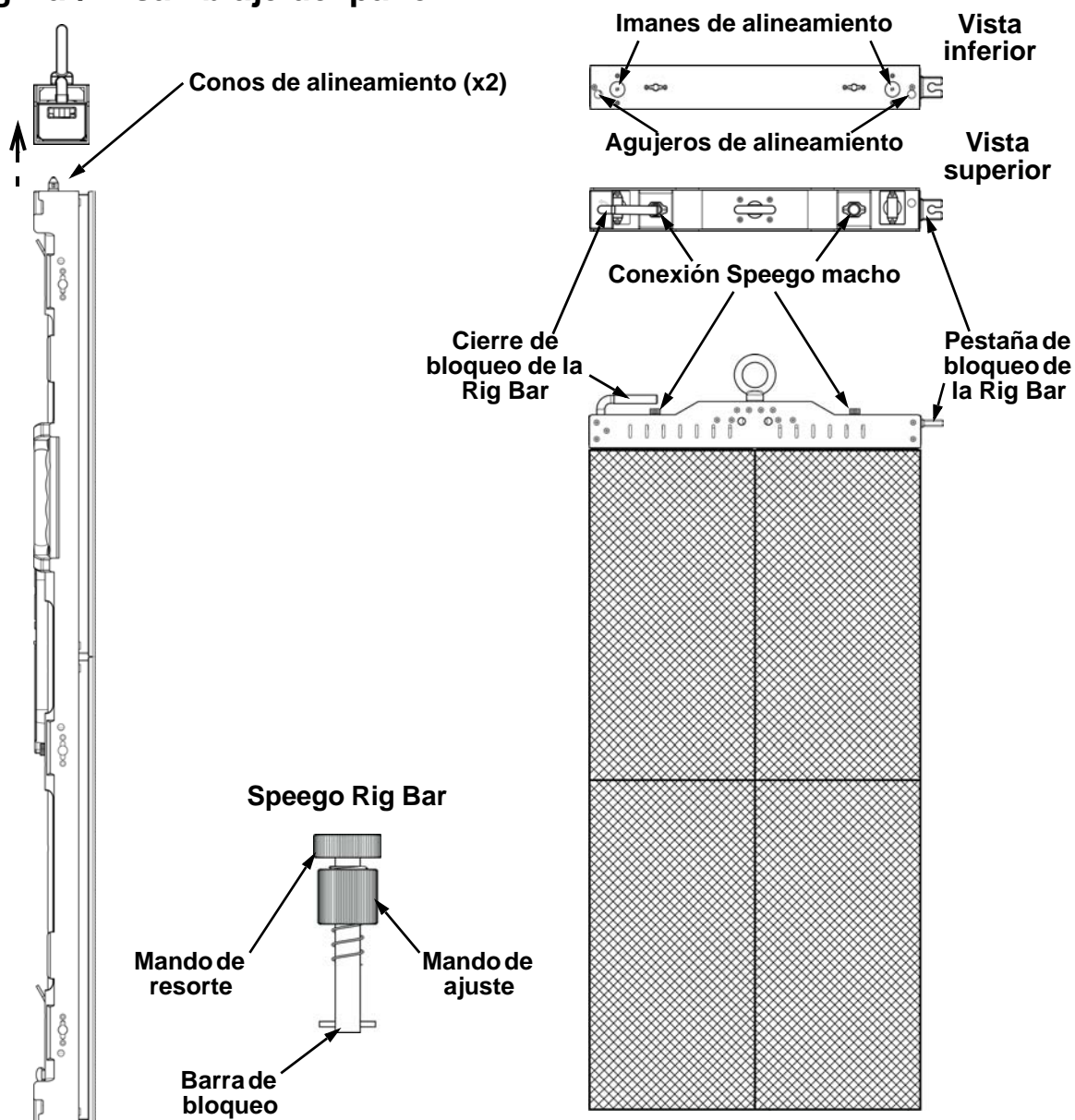


Dimensiones de la Rig Bar RB-F100CM

Vendida por separado



Rig Bar/Ensamblaje del panel



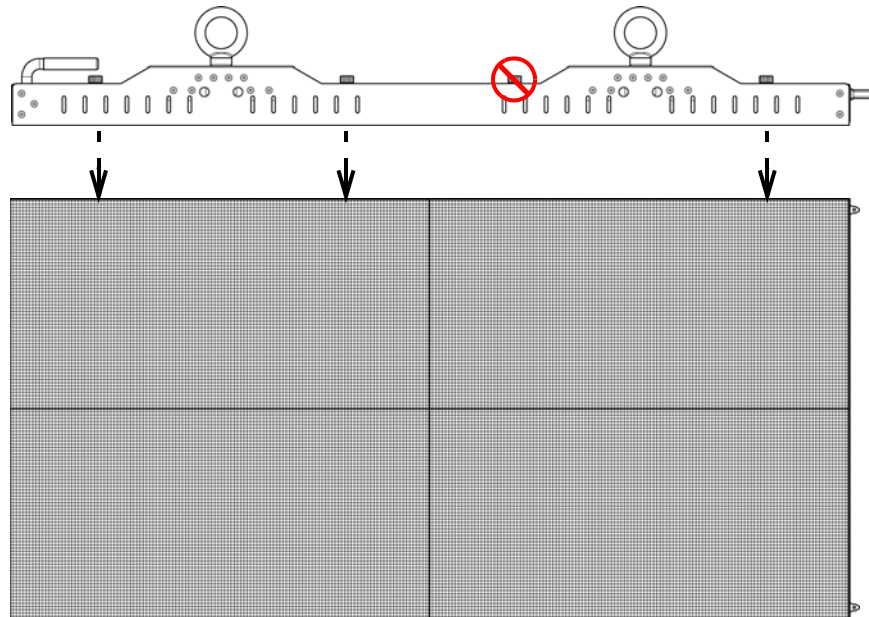
1. Inserte los conos de alineamiento en los agujeros de alineamiento y permita que los imanes hagan contacto.
2. Inserte las barras de bloqueo Speego de la Rig Bar en las conexiones Speego hembra del F3.
3. Gire 90° el mando de resorte del Speego de la Rig Bar hasta que se bloquee.
4. Gire el mando de ajuste en sentido horario hasta que el F3 quede sujeto a la Rig Bar.
5. Para desacoplar la Rig Bar del F3, realice los pasos anteriores en sentido inverso.



- Los imanes de alineamiento del F3 y F-Series Rig Bar están diseñados para sostener temporalmente el peso del panel mientras el usuario lo alinea y lo fija.
- Cada lado del F3 con conexiones Speego hembra se puede acoplar a la F-Series Rig Bar, pero solo el lado corto tiene conos e imanes de alineamiento. Cuando acople el lado largo del F3 a la Rig Bar, tenga la precaución de comprobar que los píxeles a lo largo del conjunto de vídeo están correctamente alineados.



¡Advertencia! Los acoplamientos magnéticos no pueden soportar carga, y su única finalidad es ayudar al alineamiento. No suelte el panel hasta que el material de montaje para colgarlo esté firmemente fijado.

Rig Bar/Ensamblaje alternativo del panel

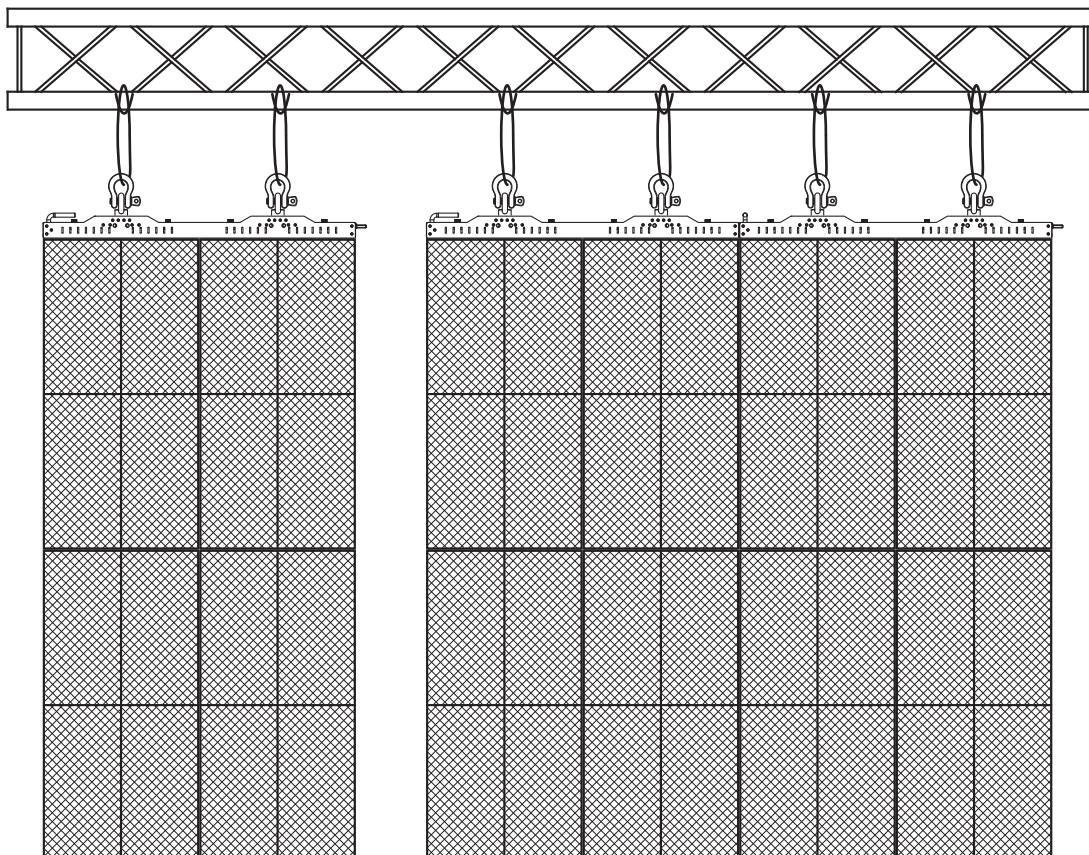
El F3 se puede montar horizontalmente con la RB-F100CM Rig Bar. Siga las mismas instrucciones que para la [Rig Bar/Ensamblaje del panel](#), pero con más cuidado, ya que el lado largo del producto no tiene conos de alineamiento ni imanes.

Cuando lo monte horizontalmente a la RB-F100CM, uno de los conectores Speego de la Rig Bar no se utilizará.

Instalación de truss

Consulte el diagrama siguiente para la instalación de truss. Chauvet dispone de la F-Series Rig Bar (vendida por separado), barra de aparejamiento específicamente diseñada para colgar los paneles.

Acoplar a un truss utilizando la F-Series Rig Bar



Los puntos de montaje M12 y M10 no están pensados para colgarse o suspenderse de un truss u otra estructura en altura.

Con el fin de suspender/colgar los paneles de un truss u otra estructura en alto, utilice una de las F-series Rig Bar (RB-F50CM o -F100CM, vendidas por separado).

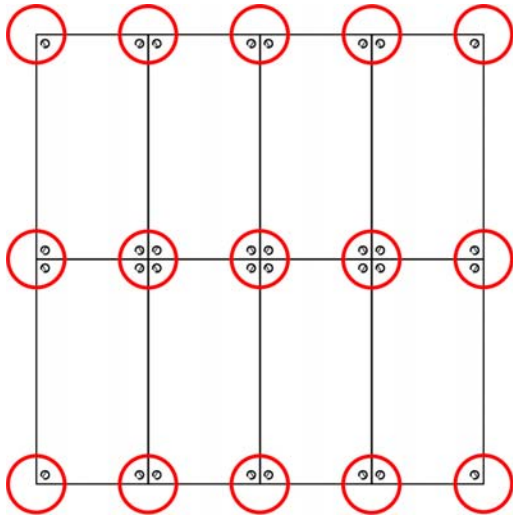


Las ilustraciones de arriba son solo ejemplos. Por favor, consulte todos los códigos locales y regulaciones correspondientes para la instalación adecuada de este producto.

Instalación en muro plano

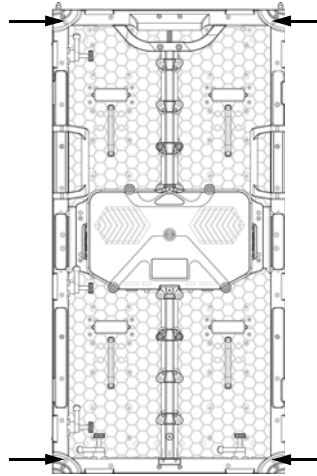
Consulte el diagrama siguiente para la instalación en muro plano.

Puntos de montaje en un muro plano



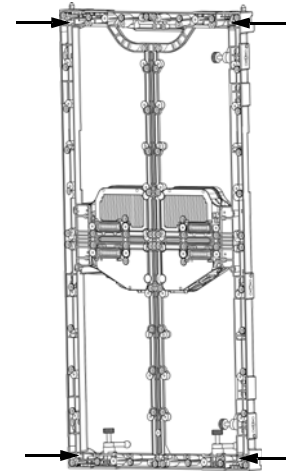
Se debe asegurar al menos 1 punto de montaje por cada unión (marcada con un círculo), incluyendo los bordes y esquinas exteriores

Traseros Agujeros de montaje con rosca M12 (4x)



Se deben utilizar pernos M12 para las aplicaciones de montaje posterior

Delanteros Agujeros de montaje M10 (4x)

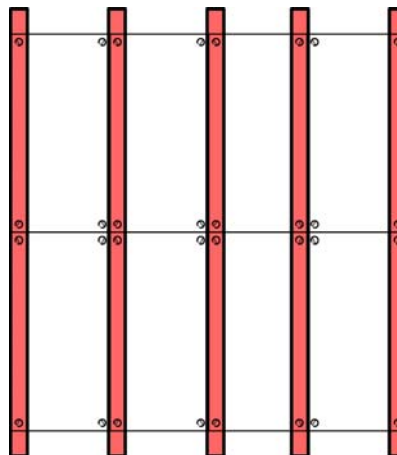


Los pernos SAE 3/8 o M10 son compatibles con aplicaciones de montaje delantero



Los 4 agujeros de montaje, delanteros y traseros, están diseñados para montar a ras de pared en una superficie plana contra los paneles de vídeo. Se debe utilizar 1 punto de montaje por cada unión, incluyendo los bordes y esquinas exteriores, con el fin de mantener la integridad de la estructura. Los puntos de montaje no están pensados para colgarse o suspenderse de un truss u otra estructura en altura. Chauvet recomienda usar un puntal de acero VERTICAL para cada columna de paneles más 1, como en el diagrama siguiente:

4 columnas + 1 = 5
puntales de acero

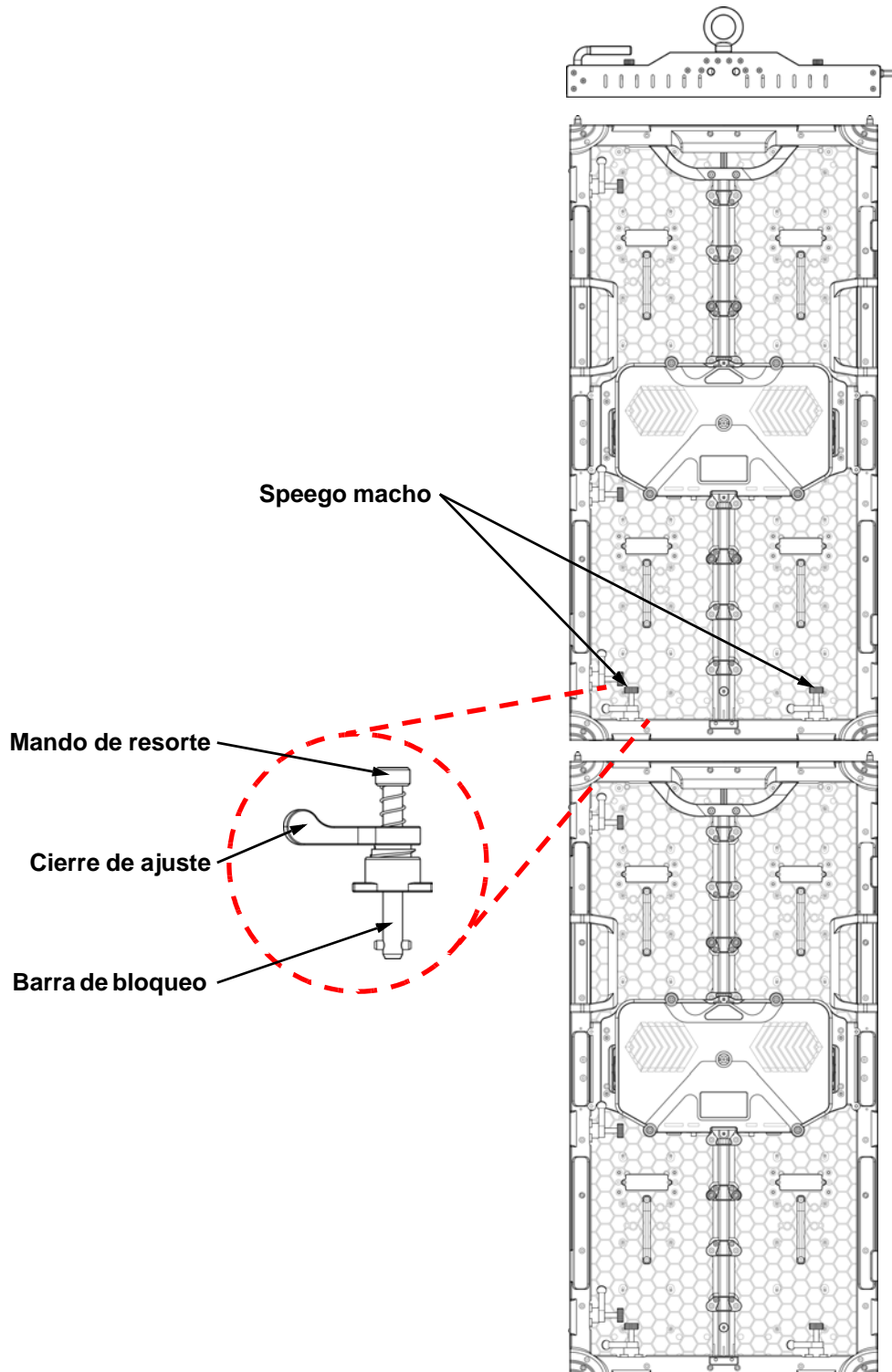


Las ilustraciones de arriba son solo ejemplos. Por favor, consulte todos los códigos locales y regulaciones correspondientes para la instalación adecuada de este producto.

5. Unir todos los F4 (creación de un diseño modular)

Unir los paneles verticalmente

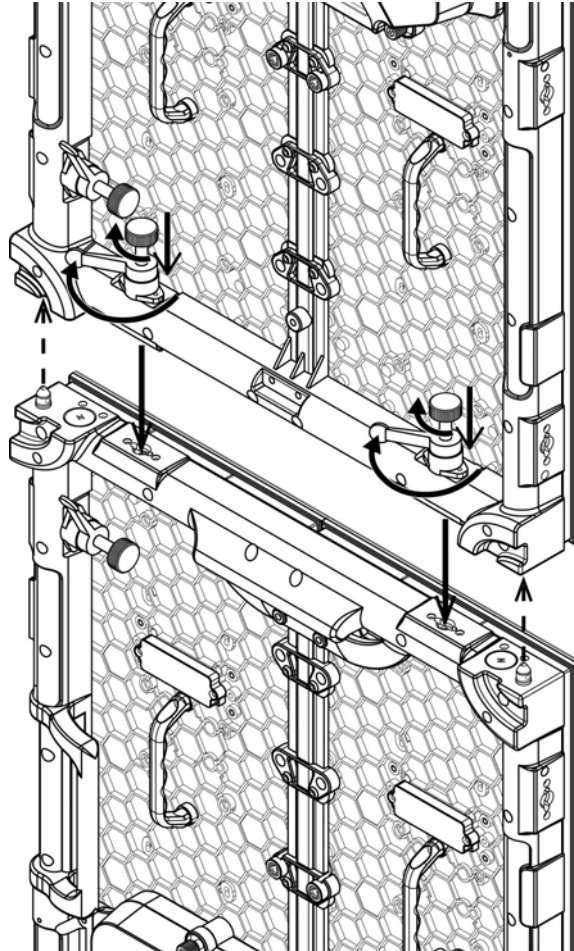
Cada F3 se puede unir fácilmente en vertical a un truss usando una barra de aparejamiento opcional y las 2 conexiones Speego hembra situadas en las esquinas superiores de cada panel. Utilice las conexiones Speego macho en la parte inferior de cada panel para conectar paneles adicionales. Estos conectores permanecen hundidos cuando no se utilizan.



Conexión del panel vertical

Siga las instrucciones siguientes para unir los paneles verticalmente:

1. Alinee los conos de alineamiento en la parte superior de cada panel y los imanes de alineamiento en la parte superior e inferior de cada panel.
2. Empuje los conectores Speego macho hacia adentro de los conectores Speego hembra.
3. Gire 90° los mandos de resorte en sentido horario.
4. Gire 180° los cierres de ajuste en sentido horario hasta que queden fijos.

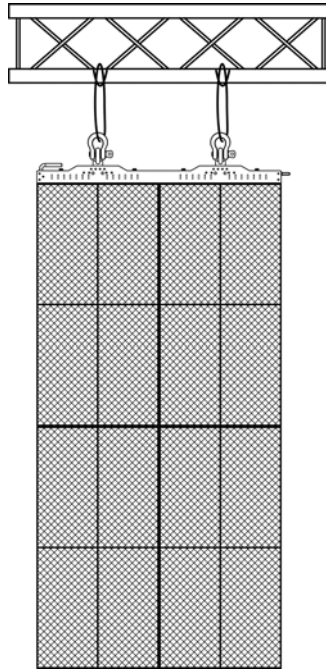


¡Advertencia! Los acoplamientos magnéticos no pueden soportar carga, y su única finalidad es ayudar al alineamiento. No suelte el panel hasta que el material de montaje para colgarlo esté firmemente fijado.

Unir todos los F4 (creación de un diseño)

Unir los paneles horizontalmente

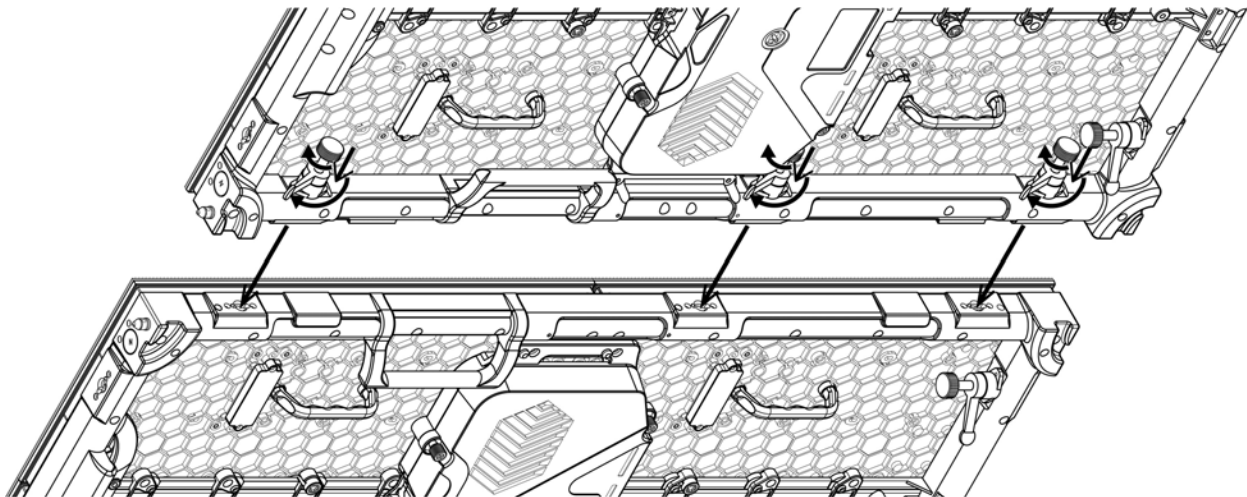
Cada F3 se puede unir fácilmente en horizontal usando las conexiones Speego del interior, del lado izquierdo, superior e inferior, de cada panel.



Conexión del panel horizontal

Siga las instrucciones siguientes para unir los paneles horizontalmente:

1. Alinee cada uno de las conexiones Speego macho de los paneles con las correspondientes conexiones Speego hembra de los paneles que se añadan.
2. Empuje los conectores Speego macho hacia adentro de los conectores Speego hembra.
3. Gire 90° los mandos de resorte en sentido horario.
4. Gire 180° los cierres de ajuste en sentido horario hasta que queden fijos.



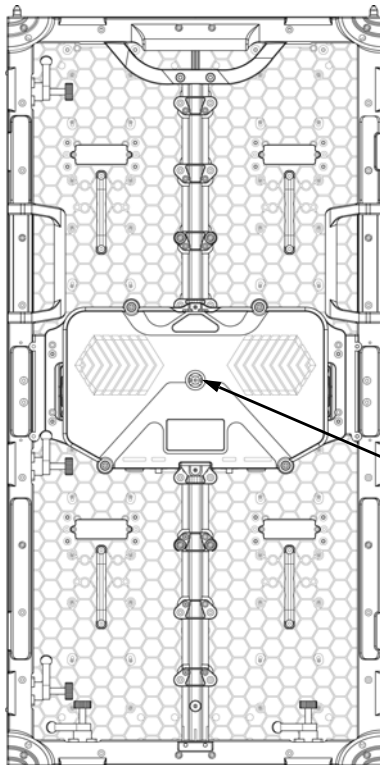
6. Conectar (cablear) todos los F3

Probar la señal y las conexiones de alimentación

Cada F3 tiene 2 tomas de alimentación y 2 puertos de señal.

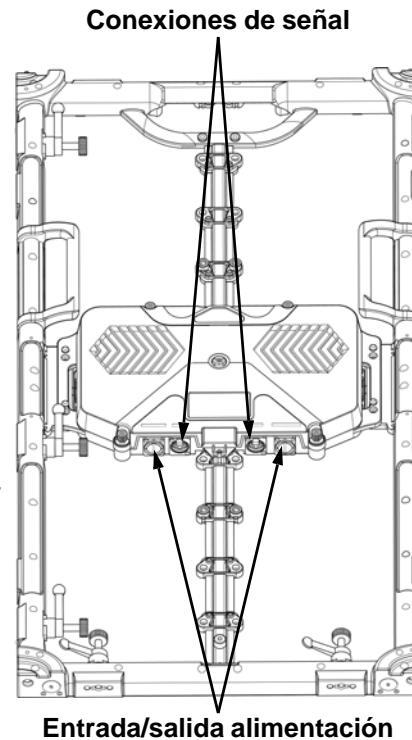
- Las conexiones de alimentación y señal se encuentran en la parte inferior del módulo de servicio de cada panel.
- Los puertos de señal se pueden usar indistintamente.
- Cada F3 tiene luces indicadoras LED sobre el botón de prueba en el centro de cada panel.
- Cada panel indica una conexión de alimentación correcta cuando la luz indicadora de alimentación permanece roja.
- Cada panel indica la presencia de señal de vídeo cuando la luz indicadora LED de señal parpadea en verde rápidamente. Cuando el LED parpadea en verde lentamente, no hay señal.

Vista del panel posterior



Botón de prueba
LED indicadores
de alimentación/
señal

Vista de la parte inferior del acceso de servicio



Conexiones de señal

Entrada/salida alimentación

Utilizar el botón de prueba del F3

Cada F3 dispone también de un botón de prueba, que se utiliza para asegurarse de que todos los LED están operativos. Utilice el botón de prueba en cada panel para realizar una autocomprobación. Si realiza la autocomprobación, debe realizar las pruebas individualmente para cada F3. No necesita conectarlos a una señal ni utilizar software.



Cuando use el botón de prueba, asegúrese de que el F3 no está conectado al VIP Drive 43Nova.

Para usar el botón de prueba debe conectar la alimentación, pero no conecte los cables de señal. Pulse el botón de prueba para cambiar entre las distintas configuraciones de pantalla de luz LED.

Conectar (cablear) todos los F3

Conectar los cables de alimentación y señal

Los siguientes apartados proporcionan información y diagramas sobre la conexión de señal y alimentación entre paneles.

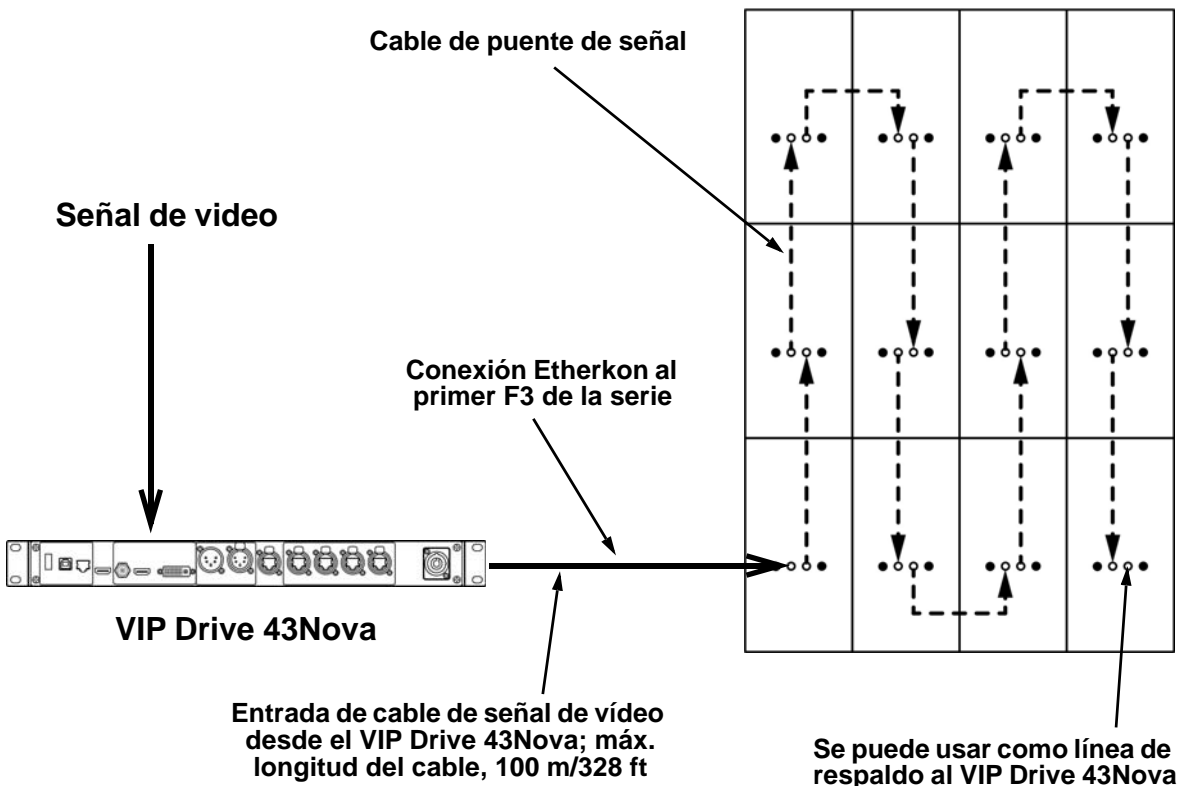
Consulte los apartados [Introducción](#) o [Funcionamiento](#) de este Manual de usuario para ver los cables disponibles y los números de artículo.

Conectar la señal entre paneles unidos

Las conexiones entre paneles del cable de señal pueden usar distintas configuraciones. La configuración básica para conectar la señal de un panel al siguiente se explica a continuación:

1. La señal fuente se conecta al primer panel.
2. A continuación, se conecta un cable de señal desde el primer panel.
3. Las conexiones continúan en cascada hasta que todos los paneles estén conectados.
4. La ruta de los cables utilizados para hacer las conexiones de señal puede variar.

El siguiente diagrama es una sugerencia recomendada para conexiones de señal simples entre paneles.



Conectar la alimentación entre paneles unidos

Las conexiones de alimentación entre paneles pueden usar también distintas configuraciones. La configuración básica para conectar la fuente de alimentación principal de un panel a otro es:

1. La alimentación principal se conecta a la entrada o salida de alimentación del primer panel.
2. Luego se conecta un cable de alimentación a la salida de alimentación del primer panel y a la entrada de alimentación del siguiente panel.
3. Las conexiones continúan hasta que todos los paneles estén conectados.

Conecte la alimentación entre paneles siguiendo el mismo procedimiento que para la señal, pero utilizando los conectores de entrada de alimentación y salida de alimentación. Debe respetar las especificaciones de alimentación en cadena de cada modelo F3.

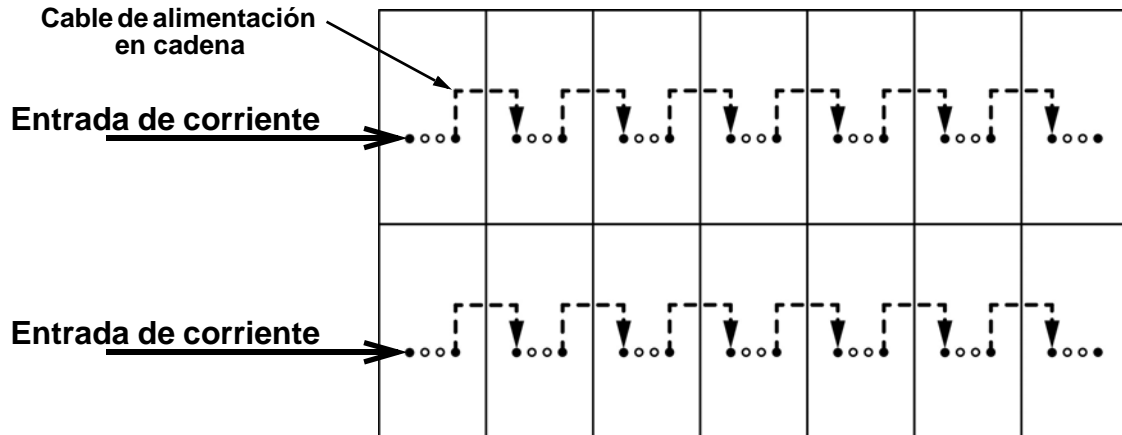
Consulte el apartado [Alimentación en cadena](#) para ver los detalles sobre el número de paneles que se pueden enlazar en función de la tensión desde una sola conexión de alimentación.



¡Enlazar en cadena la alimentación de más paneles de los recomendados anulará su garantía y aumentará el riesgo de electrocución o incendio!

Consulte el diagrama siguiente para ver un ejemplo de conexión de alimentación desde la toma de corriente hasta cada panel conectado.

Este ejemplo utiliza un F3, enlazando en cadena la alimentación de 7 paneles horizontalmente a @ 120 V.



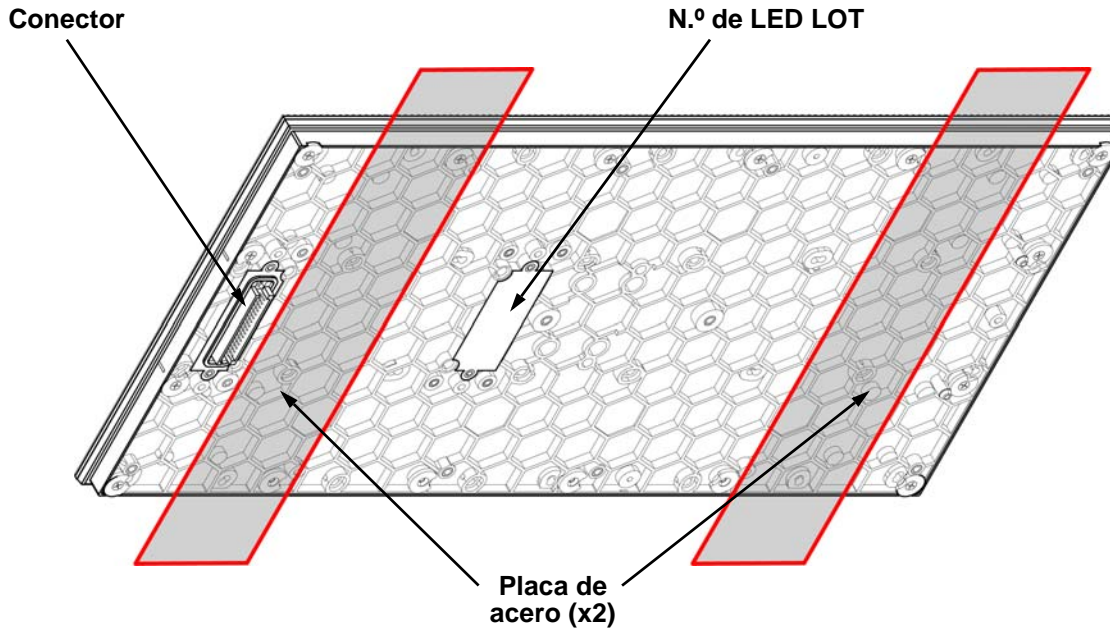
7. Cuidados y sustitución del módulo LED

Módulo LED del F3

Cada F3 tiene 4 módulos LED conectados al marco del panel por medio de imanes. Cada módulo tiene un solo conector que conecta con la unidad de proceso principal.

Números de lote LED

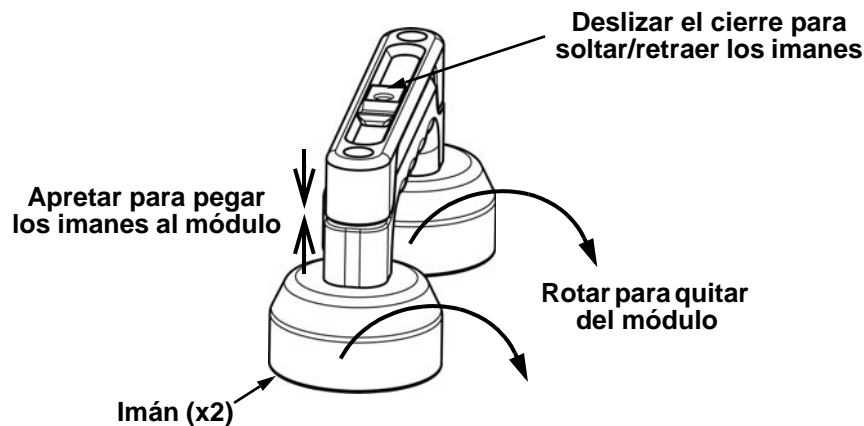
Para garantizar un ajuste y emisión de color consistentes, sustituya los módulos estropeados o defectuosos con el mismo n.º de lote que los demás del mismo panel. Cuando combine paneles para crear sistemas completos de mural de vídeo (alquileres, instalaciones permanentes, etc.), recomendamos encarecidamente que coincida el N.º de LOTE LED de todos los paneles. El n.º de LOTE LED se puede encontrar en la parte posterior de cada módulo.



Módulos A y B

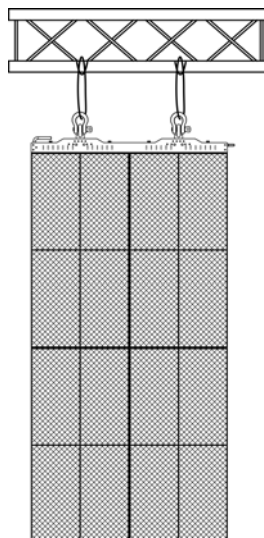
El F3 tiene 2 tipos de módulos, diseñados para conectarse solo en el módulo de servicio en una dirección. Compruebe la orientación de la etiqueta LED LOT # para determinar si el módulo es de tipo A (mitad superior, conector abajo) o de tipo B (mitad inferior, conector arriba).

Usar MT-03

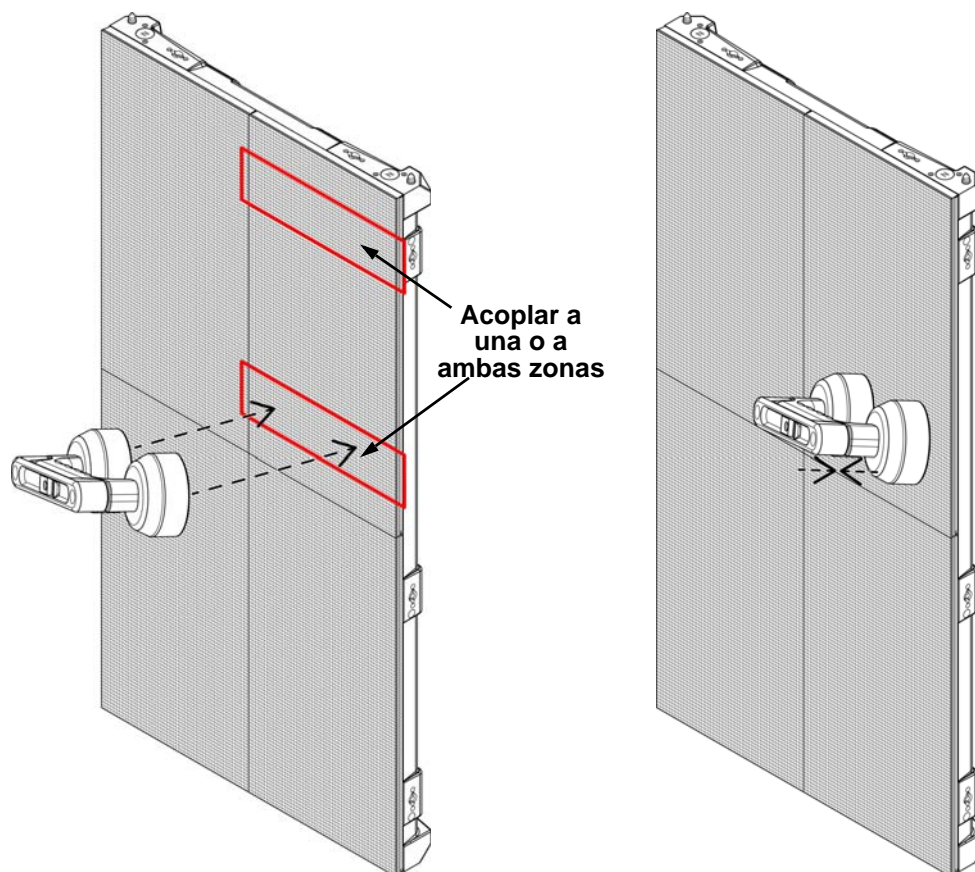


El MT-03 está especialmente diseñado para quitar y sustituir con cuidado el módulo LED del F3 de la parte delantera mientras el panel está montado en una instalación mural de vídeo. Antes de utilizar esta herramienta, asegúrese de conocer bien su funcionamiento leyendo todos los procedimientos para quitar/instalar el módulo.

Quitar el módulo LED del F3 con MT-03



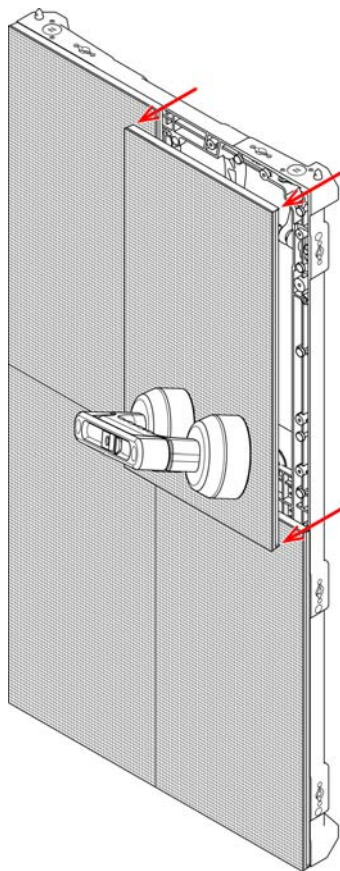
1. Localice el módulo que desea quitar.



2. Con cuidado, acople el MT-03 a la parte superior y/o inferior del módulo que vaya a quitar. Coloque el MT-03 contra el módulo en posición abierta, luego apriete el gatillo del asa para fijar los imanes al módulo.



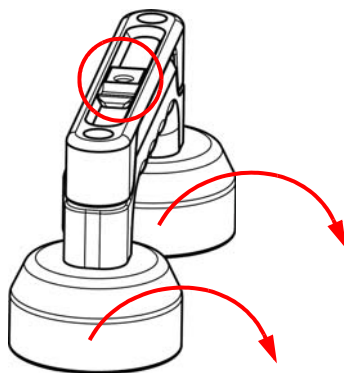
Puede producirse daño si el MT-03 no está en posición abierta cuando se coloca contra el módulo.



3. Aumentando la fuerza de forma constante, y tan recto como le sea posible, tire hacia atrás del MT-03 hasta que el módulo se haya soltado del marco.



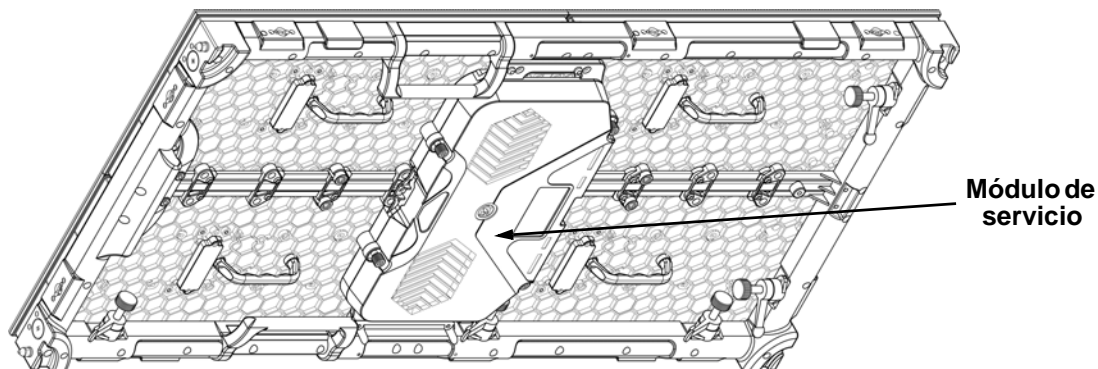
Tenga cuidado cuando quite el módulo para no dañar el conector unido a la parte posterior del módulo.



4. Con cuidado, gire el MT-03 hacia el lado para quitarlo del módulo.
5. Utilice el deslizador de la parte posterior del MT-03 para retraer los imanes.
6. Realice a la inversa estos pasos para instalar el módulo de recambio.

8. Configuración del panel F3

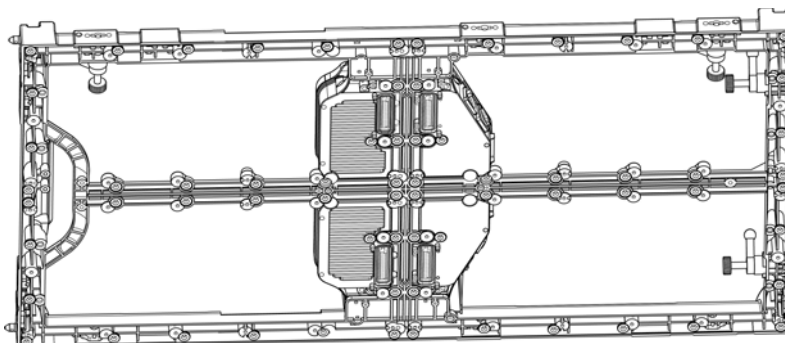
Cambiar entre mantenimiento delantero y trasero



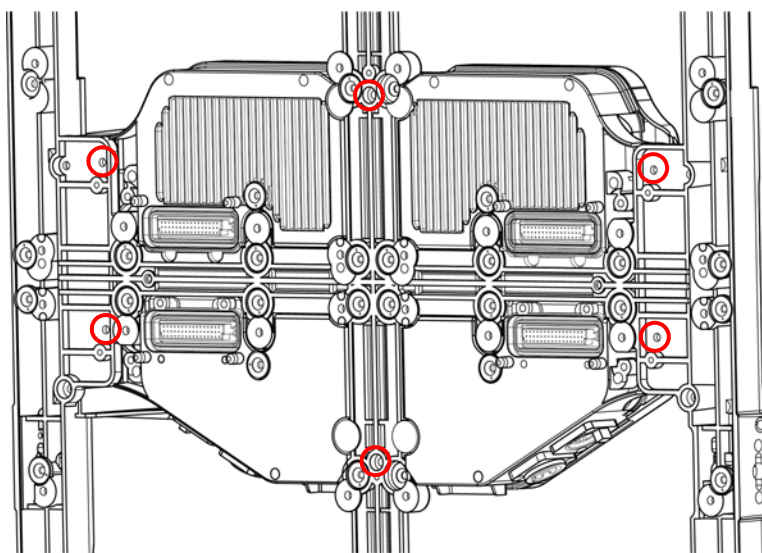
El módulo de servicio del F3 es accesible y se puede quitar tanto desde la parte delantera como desde la parte trasera del panel, dependiendo de cómo haya configurado el usuario el panel. Así, se puede hacer mantenimiento completo del panel desde la parte delantera (predeterminado) o desde la parte trasera, con lo que el técnico no tiene que dar la vuelta varias veces al mural para acceder a un solo panel. Siga las instrucciones siguientes para cambiar de mantenimiento delantero a mantenimiento trasero en el F3:

Se puede realizar el mantenimiento del F3 desde la parte delantera para aplicaciones como montaje contra una pared plana, donde podría no existir acceso a la parte trasera del montaje de vídeo.

Se puede realizar el mantenimiento del F3 desde la parte trasera en cualquier aplicación en la que la parte posterior del montaje de vídeo sea más accesible que la delantera.



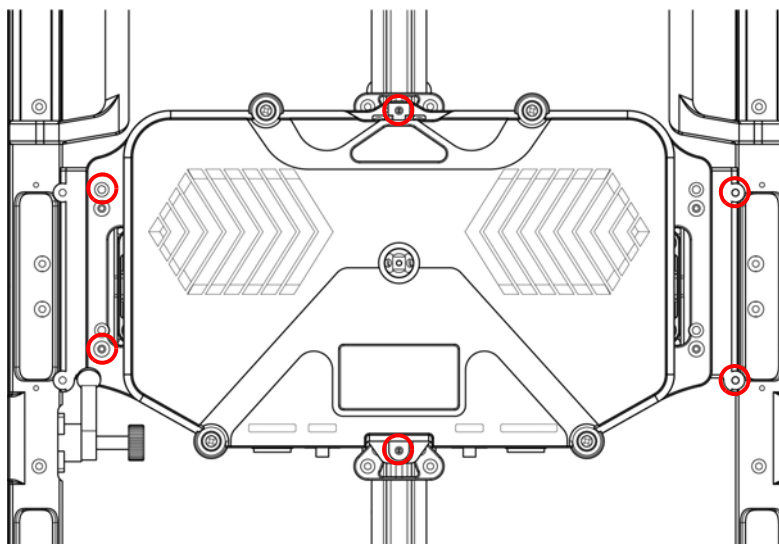
1. Quite los módulos según se indica en [Cuidados y sustitución del módulo LED](#).



2. Quite los seis tornillos de la parte delantera del módulo de servicio.

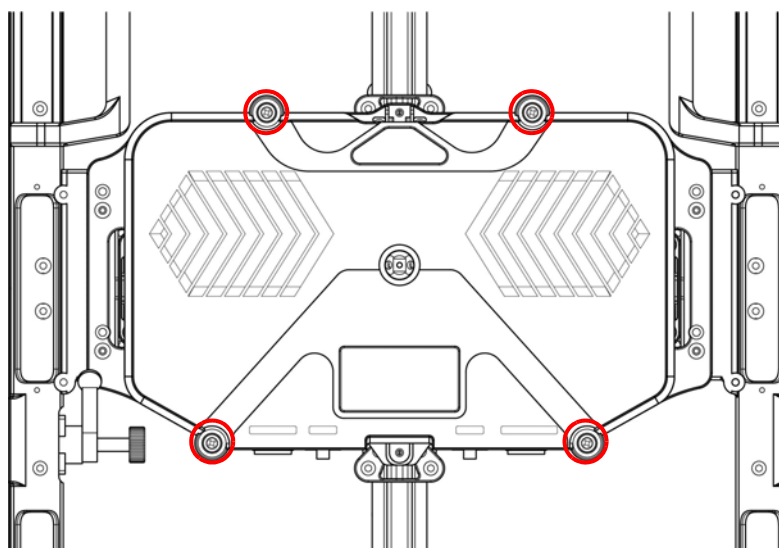


Tenga cuidado cuando quite estos tornillos, ya que el módulo de servicio se desprenderá del marco del panel hasta que se complete el siguiente paso.



3. Instale los seis tornillos en la parte trasera del módulo de servicio.
4. Vuelva a instalar los módulos según se indica en [Cuidados y sustitución del módulo LED](#).
5. Realice estos pasos a la inversa para poder hacer de nuevo el mantenimiento desde el panel delantero.

Acceso al módulo de servicio



Para acceder al interior del módulo de servicio, quite los 4 tornillos manuales.

9. Instalación típica del F3

Puesto que un sistema de mural de vídeo puede estar formado por distintos componentes para conseguir un diseño modular de simple a complejo, siga los pasos siguientes como regla general para empezar.

Paso 1

Abra y examine la maleta de transporte del F3 para asegurarse de que ha recibido todos los productos y accesorios y que todos se encuentran en buen estado.

Paso 2

Enciéndalo y ejecute la autocomprobación en todos los F3 para asegurarse de que funcionan todos los LED y conexiones internas de cada panel (opcional).

Paso 3

Prepare una superficie de montaje estable (como un truss u otra superficie estable) para el montaje del F3.

Paso 4

Monte la primera fila de F3. Consulte el apartado de [Montaje](#) de este manual de usuario.

Paso 5

Ajuste el alineamiento de la primera fila usando los conectores Speego.

Paso 6

Conecte la fuente de señal al VIP Drive 43Nova.

Paso 7

Conecte el VIP Drive 43Nova al puerto de señal del primer panel de su cadena de conexión.

Paso 8

En función de la configuración (diseño) de su mural de vídeo, una todos los paneles, en horizontal o en vertical, siguiendo las instrucciones del apartado [Unir todos los F4 \(creación de un diseño modular\)](#).

Consulte las instrucciones e información en el apartado [Conectar \(cablear\) todos los F3](#) de este manual de usuario.

10. Funcionamiento

Hardware y software adicional

Además de los paneles, se necesita otro software y hardware para diseñar, construir y manejar su sistema de mural de vídeo F3. La siguiente tabla resume estos elementos adicionales. Algunos son necesarios y otros opcionales.

Elemento	Descripción
VIP Drive 43Nova	Interfaz entre la fuente de señal, NovaLCT-Mars y F3 utilizado
NovaLCT-Mars	Aplicación de software utilizada para diseñar y hacer funcionar los F3 que componen el mural de vídeo. Se necesita un PC.
F-Series Rig Bar (opcional)	Proporciona el material necesario para montar los F3
Prolongador de señal Neutrik® etherCON® (opcional)	Cable prolongador Neutrik® etherCON® CAT6; 18 in. Cable prolongador Neutrik® etherCON® CAT6; 5 ft Cable prolongador Neutrik® etherCON® CAT6; 10 ft Cable prolongador Neutrik® etherCON® CAT6; 25 ft Cable prolongador Neutrik® etherCON® CAT6; 50 ft
Prolongador Neutrik® powerCON® (opcional)	Prolongador Neutrik® powerCON®, 18 in Prolongador Neutrik® powerCON®, 5 ft Prolongador Neutrik® powerCON®, 10 ft Prolongador Neutrik® powerCON®, 25 ft Prolongador Neutrik® powerCON®, 50 ft
VIP Media System	Sistema de ordenador de vídeo montable en rack
ArKaos MediaMaster	Software de reproducción de vídeo

Acerca de NovaLCT-Mars

NovaLCT-Mars es una aplicación de software potente y de fácil aprendizaje que se utiliza para diseñar y administrar el sistema de mural de vídeo F3. A continuación proporcionamos una información a modo de introducción sobre el software.

Consulte el manual de usuario de VIP Drive 43Nova para obtener información e instrucciones para instalar y utilizar NovaLCT-Mars con su sistema de mural de vídeo Chauvet F3.

Descripción

NovaLCT-Mars le brinda la posibilidad de crear y controlar su mural de vídeo asignando direcciones a los paneles de su mural de vídeo, incluyendo tamaño de píxel y disposición.

Una vez creado físicamente su diseño modular de mural de vídeo mediante la unión de los paneles, la conexión de alimentación, señales y el VIP Drive 43Nova, se puede recrear el diseño dentro de NovaLCT-Mars.

Dispone de información detallada e instrucciones en el manual de usuario del VIP Drive 43Nova.



Chauvet no recomienda usar NovaLCT-Mars para la reproducción de un espectáculo en directo. Para este fin, Chauvet le ofrece Arkaos MediaMaster, que dispone de numerosos activadores de reproducción, como DMX, Art-Net, MA.net, MIDI y QWERTY.

11. Información técnica

Mantenimiento del F3

Para mantener un rendimiento óptimo y minimizar el desgaste, el usuario debe limpiar este producto regularmente. El uso y el entorno pueden influir para determinar la frecuencia de las limpiezas.

Como norma general, limpie este producto al menos dos veces al mes. El polvo acumulado reduce el rendimiento de la salida de luz y puede provocar sobrecalentamiento. Esto puede conducir a una reducción de la vida de la fuente de luz e incrementar el desgaste mecánico.

Para limpiar un F3, siga las instrucciones siguientes:

1. Desenchufe el panel de la alimentación.
2. Espere a que el producto esté a temperatura ambiente.
3. Use un cepillo suave para quitar el polvo depositado en los componentes externos.
4. Frote el exterior de los módulos LED con un paño suave que no deje pelusa empapado en una solución de agua y detergente. Aplique solamente una ligera presión.
5. Asegúrese de que todas las conexiones están bien secas antes de volver a conectar los cables de alimentación y de señal.



Seque siempre con cuidado las superficies externas después de limpiarlas.

Devoluciones

Debe enviar el producto a portes pagados, en su caja original y con su embalaje y accesorios originales. Chauvet no expedirá etiquetas de devolución.

Llame a Chauvet y pida un número de Autorización de Devolución de la Mercancía (RMA) antes de enviar el producto. Esté preparado para proporcionar el número de modelo, número de serie y una breve descripción de la(s) causa(s) de la devolución.

Para submitir una solicitud de servicio en línea, visite www.chauvetprofessional.com/service-request.

Etiquete el paquete claramente con un número de RMA. Chauvet rechazará cualquier producto devuelto sin un número de RMA.



NO escriba el número de RMA directamente sobre la caja. En vez de eso, escríbalo en una etiqueta convenientemente adherida.

Una vez que haya recibido el número de RMA, incluya la siguiente información en una hoja de papel dentro de la caja:

- Su nombre
- Su dirección
- Su número de teléfono
- El número de RMA
- Una breve descripción de los problemas

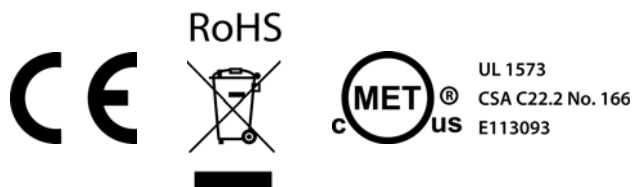
Asegúrese de que empaqueta el producto adecuadamente. Cualquier daño en el transporte que resulte de un empaquetado inadecuado será responsabilidad del cliente. Se recomienda empaquetado FedEx o de doble caja.



Chauvet se reserva el derecho de usar su propio criterio para reparar o reemplazar productos devueltos.

12. Especificaciones técnicas

Fuente de luz	LED tricolor SMD 2121
Píxeles por Panel	128 x 256 (32.768 totales)
Tamaño de píxel (entre LEDs)	3,9 mm
Densidad de píxel	65.536/m ²
Tasa de refresco de la pantalla	3.840 Hz
Ángulo de visión	140°
Iluminancia calibrada	1.500 NITS
Máxima iluminancia	TBD NITS
Longitud de onda rojo	619 a 624 nm
Longitud de onda verde	522 a 525 nm
Longitud de onda azul	468 a 471 nm
Tipo de fuente de alimentación	Conmutación
Rango de tensión CA	100–240 VCA, 50/60 Hz
Selección de tensión	Detección automática (autorango)
Consumo de energía, 120 V, 60 Hz	263 W, 2,18 A
Consumo de energía, 208 V, 60 Hz	265 W, 1,28 A
Consumo de energía, 230 V, 50 Hz	269 W, 1,16 A
Alimentación en cadena a 120 V, 60 Hz	8 unidades
Alimentación en cadena a 208 V, 60 Hz	14 unidades
Alimentación en cadena a 230 V, 50 Hz	15 unidades
Dimensiones	19,69 x 3,5 x 39,37 in (500 x 89 x 1000 mm)
Peso	28,6 lb (13 kg)
Transparencia	0%
Material de la carcasa	Magnesio moldeado a presión
Conexión de alimentación	Seetronic Powerkon [®]
Conexión de datos	Seetronic Etherkon [®]
Nombre de producto (Pack de 4 Maleta de transporte)	F3X4
Nombre de producto (Pack de 1)	F3X1
Código de pieza (Pack de 4 Maleta de transporte)	23091316
Código de pieza (Pack de 1)	23111317
Código UPC (Pack de 4 Maleta de transporte)	781462216641
Código UPC (Pack de 1)	781462216658



Contacto

OFICINA CENTRAL	
Información general	Servicio Técnico
Dirección: 5200 NW 108th Ave. Sunrise, FL 33351 Voz: (954) 577-4455 Fax: (954) 929-5560 Número gratuito: (800) 762-1084	Voz: (844) 393-7575 Fax: (954) 756-8015 Email: chauvetcs@chauvetlighting.com
	Web www.chauvetlighting.com
EUROPA	
Información general	Servicio Técnico
Dirección: Stokstraat 18 9770 Kruishoutem Belgium Voz: +32 9 388 93 97	Email: eutech@chauvetlighting.eu
	Web www.chauvetlighting.eu
Información general	
Información general	Servicio Técnico
Dirección: Unit 1C Brookhill Road Industrial Estate Pinxton, Nottingham, UK NG16 6NT Voz: +44 (0) 1773 511115 Fax: +44 (0) 1773 511110	Email: uktech@chauvetlighting.com
	Web www.chauvetlighting.co.uk
MÉXICO	
Información general	Servicio Técnico
Dirección: Av. de las Partidas 34 - 3B (Entrada por la Calle 2) Zona Industrial Lerma Lerma, Edo. de México, CP 52000 Voz: +52 (728) 690-2010	Email: servicio@chauvet.com.mx
	Web www.chauvet.com.mx

Visite el sitio web correspondiente para verificar la información de contacto y las instrucciones para solicitar asistencia. Fuera de EE. UU., Reino Unido, Irlanda, México o Benelux, póngase en contacto con su proveedor oficial.

Notes d'édition

Ce manuel d'utilisation comprends une description du F3 ainsi que des instructions sur la programmation, l'utilisation et la maintenance valides en date de publication de cette édition.

Marques

CHAUVET, le logo Chauvet et F3 sont des marques déposées ou des marques de Chauvet & Son, LLC. (d/b/a Chauvet et Chauvet Lighting) aux États-Unis et dans d'autres pays. Les autres noms de produits et logos mentionnés dans le présent manuel peuvent être des marques commerciales de leurs sociétés respectives.

Avis de copyright

Les œuvres d'auteur contenues dans ce manuel, y compris, mais sans s'y limiter, l'ensemble des conceptions, des textes et des images sont la propriété de Chauvet.

© Copyright 2017 Chauvet & Sons, LLC. Tous droits réservés.

Publié électroniquement par Chauvet aux États-Unis.

Utilisation du manuel

Chauvet autorise ses clients à télécharger et à imprimer ce manuel uniquement à des fins d'information professionnelle. Chauvet interdit expressément l'utilisation, la copie, le stockage, la distribution, la modification ou l'impression de ce manuel ou de son contenu à d'autres fins sans son consentement écrit.

Impression du document

Pour obtenir les meilleurs résultats, imprimez ce document en couleur, sur du papier au format lettre (8,5 x 11 pouces), recto-verso. Si vous utilisez du papier A4 (210 x 297 mm), configurez votre imprimante afin que le contenu soit correctement mis à l'échelle.

Public visé

Toute personne en charge de l'installation, de l'utilisation et/ou de la maintenance de cet appareil doit lire le guide qui a été livré avec l'appareil ainsi que ce manuel dans leur intégralité avant toute installation, utilisation ou maintenance de l'appareil.

Clause de non Responsabilité

Chauvet estime que les informations contenues dans ce manuel sont exactes à tous les égards. Cependant, Chauvet n'assume aucune responsabilité et décline expressément toute responsabilité envers toute partie de toute perte, tout dommage ou tout dérangement qui aurait été causé par des erreurs ou des omissions dans ce document, que ces erreurs ou omissions résultent d'une négligence, d'un accident ou de toute autre cause. Chauvet se réserve le droit de réviser le contenu de ce document sans aucune obligation d'en notifier quelque personne ou société que ce soit. Cependant, Chauvet n'a ni d'obligation de réaliser de telles révisions, ni d'engagement à les réaliser.

Révision du document

Cet Manuel d'utilisation du F3 est la 2^{ème} édition de ce document. Veuillez consulter le site internet www.chauvetprofessional.com pour la dernière version.

1. Avant de commencer

Contenu

- 4 F3
- 1 cordon d'alimentation Seetronic Powerkon®
- 4 câbles de chaînage électrique Seetronic Powerkon®
- 4 câbles de chaînage de signal Seetronic Etherkon®
- Fiche de garantie
- Manuel d'Utilisation

Réclamations

Dès la réception, veuillez ouvrir et vérifier avec soin l'emballage. Assurez-vous que vous avez reçu tous les éléments indiqués plus haut et qu'ils sont en bon état.




A la réception, si l'emballage ou le contenu (l'appareil et les accessoires livrés avec) semble avoir été endommagé pendant le transport, ou s'il présente des signes de manipulation sans précaution, veuillez en notifier immédiatement le transporteur et non pas Chauvet. Ne pas enregistrer votre réclamation auprès du transporteur en temps et en heure peut entraîner une invalidation de celle-ci. Gardez l'emballage et tous les matériaux d'emballage pour inspection.

Pour tout autre problème comme des pièces ou composants non livrés, des dommages indépendants de la livraison ou des vices cachés, veuillez déposer votre réclamation auprès de Chauvet dans les 7 jours suivant la réception de la marchandise.

Conventions manuelles

Convention	Signification
1-512	Une plage de valeur dans le texte
50/60	Un ensemble de valeur mutuellement exclusives dans le texte
<SET>	Un bouton sur le panneau de commande de l'appareil
Settings	Une fonction de l'appareil ou une option de menu

Symboles

Symbole	Signification
	Consignes importantes en matière d'installation, de configuration et de fonctionnement. Le non-respect de ces consignes peut entraîner le non fonctionnement de l'appareil, des dommages à des équipements tiers ou à l'opérateur.
	Consignes importantes en matière d'installation ou de configuration. Le non respect de ces consignes peut empêcher le bon fonctionnement de l'appareil.
	Information utile.

Consignes de Sécurité

Veillez lire les consignes de sécurité qui suivent avant d'utiliser cet appareil. Ces consignes comprennent d'importantes informations en matière d'installation, d'utilisation et de maintenance de l'appareil.



Cet appareil ne contient aucune pièce réparable par l'utilisateur. Toute référence à des réparations dans ce manuel d'utilisation ne s'applique qu'à des techniciens certifiés ayant reçu une formation adéquate. Ne pas ouvrir le boîtier ou essayer d'effectuer des réparations.



Tous les codes et règlements locaux en vigueur doivent être respectés pour une installation correcte de cet appareil.

Sécurité des personnes

- Évitez tout contact visuel direct avec la source lumineuse quand cet appareil est en marche.
- Toujours débrancher l'appareil de la source d'alimentation avant un entretien.
- Toujours connecter l'appareil à un circuit à la terre pour éviter les risques d'électrocution.
- Ne touchez pas le boîtier de l'appareil lorsqu'il est en fonctionnement, celui-ci pouvant être très chaud.

Fixation

- Cet appareil n'est pas adapté pour une installation permanente.
- Cet appareil doit uniquement être utilisé en intérieur ! Afin d'éviter tout risque d'incendie ou de décharge électrique, veillez à n'exposer cet appareil ni à la pluie ni à l'humidité. (IP31)
- ATTENTION : Lorsque l'appareil est déplacé d'un environnement à température extrême à un autre (par exemple d'un camion froid vers une salle de bal chaude et humide), de la condensation peut se former sur les composants électriques internes. Pour éviter de causer des dommages, laissez l'appareil s'acclimater entièrement au milieu environnant avant de le mettre sous tension.
- Installez cet appareil dans un endroit bien ventilé à au moins 50 cm (20 po) des surfaces adjacentes.
- Veillez à ce qu'il ne se trouve jamais à proximité de matériaux inflammables lorsqu'il est en fonctionnement.
- En cas de suspension de l'appareil, veillez à toujours le fixer à un dispositif d'attache en utilisant un câble de sécurité.
- Ne transportez jamais l'appareil par son cordon d'alimentation ou toute autre pièce mobile.

Alimentation et câblage

- Veillez à ce que le cordon d'alimentation ne soit jamais pincé ou endommagé.
- Assurez-vous de toujours brancher cet appareil sur la bonne tension comme indiqué dans les spécifications techniques de ce manuel ou sur l'étiquette des spécifications de l'appareil.
- Durant les périodes de non-utilisation, pour éviter toute usure inutile et pour prolonger la durée de vie, déconnectez entièrement l'appareil en le débranchant de l'alimentation électrique ou en coupant le disjoncteur.
- Ne connectez jamais cet appareil à un bloc de gradateurs ou à un rhéostat.
- Ne débranchez jamais cet appareil en tirant sur le cordon d'alimentation.

Utilisation

- Ne pas utiliser cet appareil si vous constatez que le boîtier ou des câbles ont subi des dommages. Faites remplacer les pièces endommagées dès que possible par un technicien agréé.
- Ne recouvrez pas les fentes de ventilation lors du fonctionnement pour éviter toute surchauffe interne.
- La température ambiante maximale est de 45 °C (113 °F). Ne faites pas fonctionner l'appareil à des températures plus élevées.
- En cas de problème de fonctionnement grave, arrêtez l'appareil immédiatement!



Si votre appareil Chauvet nécessite une réparation, veuillez contacter le support technique de Chauvet.

2. Introduction

Description de l'appareil

Le F3 est un panneau vidéo d'une taille de 1 mètre sur 50 centimètres idéal à la fois pour les professionnels de l'installation et de la location. Il fonctionne grâce au protocole de contrôle Novastar et des modules LED magnétiques permettent un accès total à l'arrière comme à l'avant. Grâce à la possibilité d'accès total depuis l'avant, cet appareil peut être fixé directement sur un mur plat.

Caractéristiques

- Ce panneau vidéo doté d'un pas de pixel de 3,9 mm fonctionne avec le VIP Drive 43Nova sur le protocole de contrôle Novastar
- Les LED à corps noir délivrent avec précision une vidéo de qualité dotée d'un excellent contraste
- Le boîtier en magnésium coulé sous pression, d'une taille de 1 000 x 500 mm, fait de cet appareil l'un des plus légers de sa catégorie
- Les modules LED magnétiques et la boîte de commande modulaire permettent une mise en route simple et rapide
- L'accès intégral à l'arrière et à l'avant permet d'optimiser l'installation et la maintenance
- Pour une plus grande flexibilité d'installation, le système modulaire permet une installation frontale sur une surface plane
- Les broches magnétiques de connexion et de positionnement aident à l'installation des panneaux
- Présence de deux alimentations de secours pour un affichage plus stable
- Des modules intelligemment pensés, et dotés d'une mémoire dédiée, permettent d'améliorer la qualité d'image et de simplifier la maintenance
- Remplacement des masques de LED sans outils pour assurer que votre affichage reste plat même suite à de mauvaises manipulations

Appareils supplémentaires

- VIP Drive 43Nova (requis)

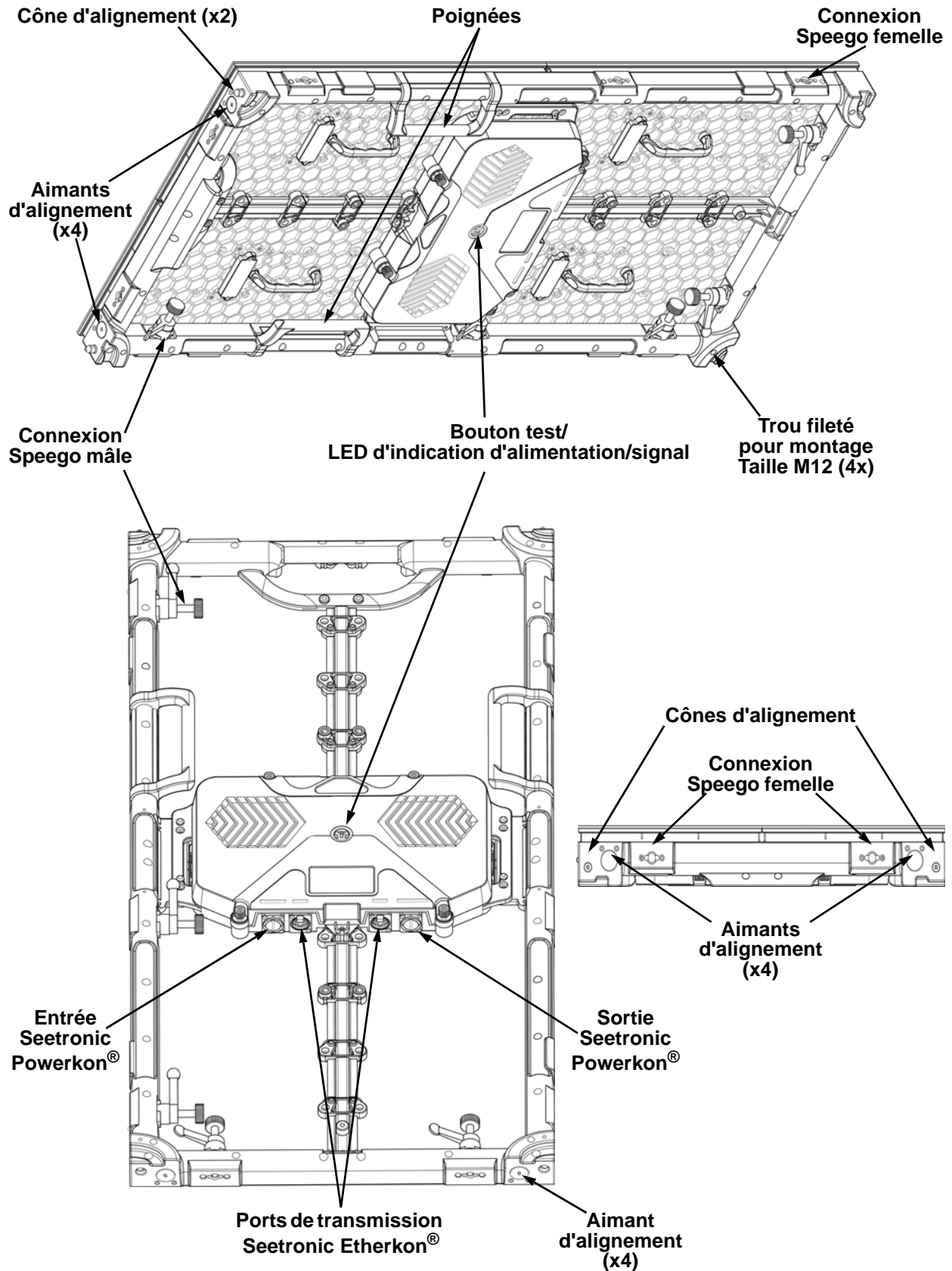
Accessoires optionnels

- VIP Media Server
- Logiciel ArKaos Media Master Express + KN
- Outil de retrait de module MT-03
- F-Series Rig Bar (RB-F50CM, RB F100CM)

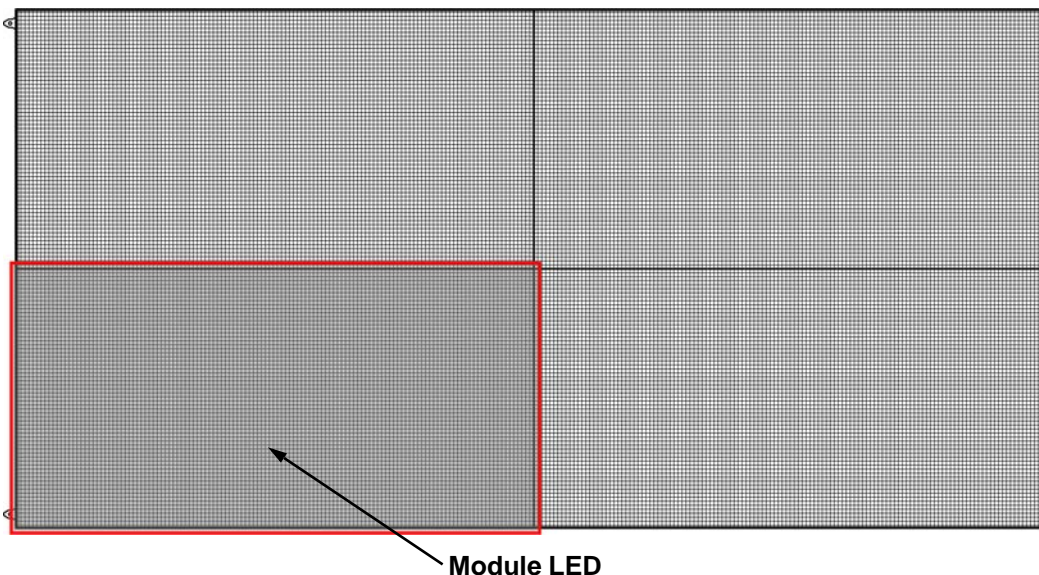
Câbles de signal et d'alimentation disponibles

- Câbles de signal (extensions de signal Neutrik® etherCON® CAT6)
 - ETHERCONEXT18IN
 - ETHERCONEXT5FT
 - ETHERCONEXT10FT
 - ETHERCONEXT25FT
 - ETHERCONEXT50FT
- Câbles d'alimentation (extensions d'alimentation Neutrik® powerCON®)
 - POWERCONEXT18IN
 - POWERCONEXT5FT
 - POWERCONEXT10FT
 - POWERCONEXT25FT
 - POWERCONEXT50FT

Vue d'ensemble de l'appareil



Pixels par panneau



Chaque pixel est représenté par une LED tricolore. Le tableau suivant indique le nombre de pixels par panneau pour chaque modèle de F3. Pour des spécifications détaillées, veuillez vous référer au tableau des [Spécifications techniques](#) à la fin de ce manuel d'utilisation.

Paramètre	F3
Pixels par panneau	128 x 256
Total de pixels par panneau	32 768
Pixels par module LED	64 x 128
Total de pixels par module LED	8 192
Dimensions de module LED	250 x 500 mm

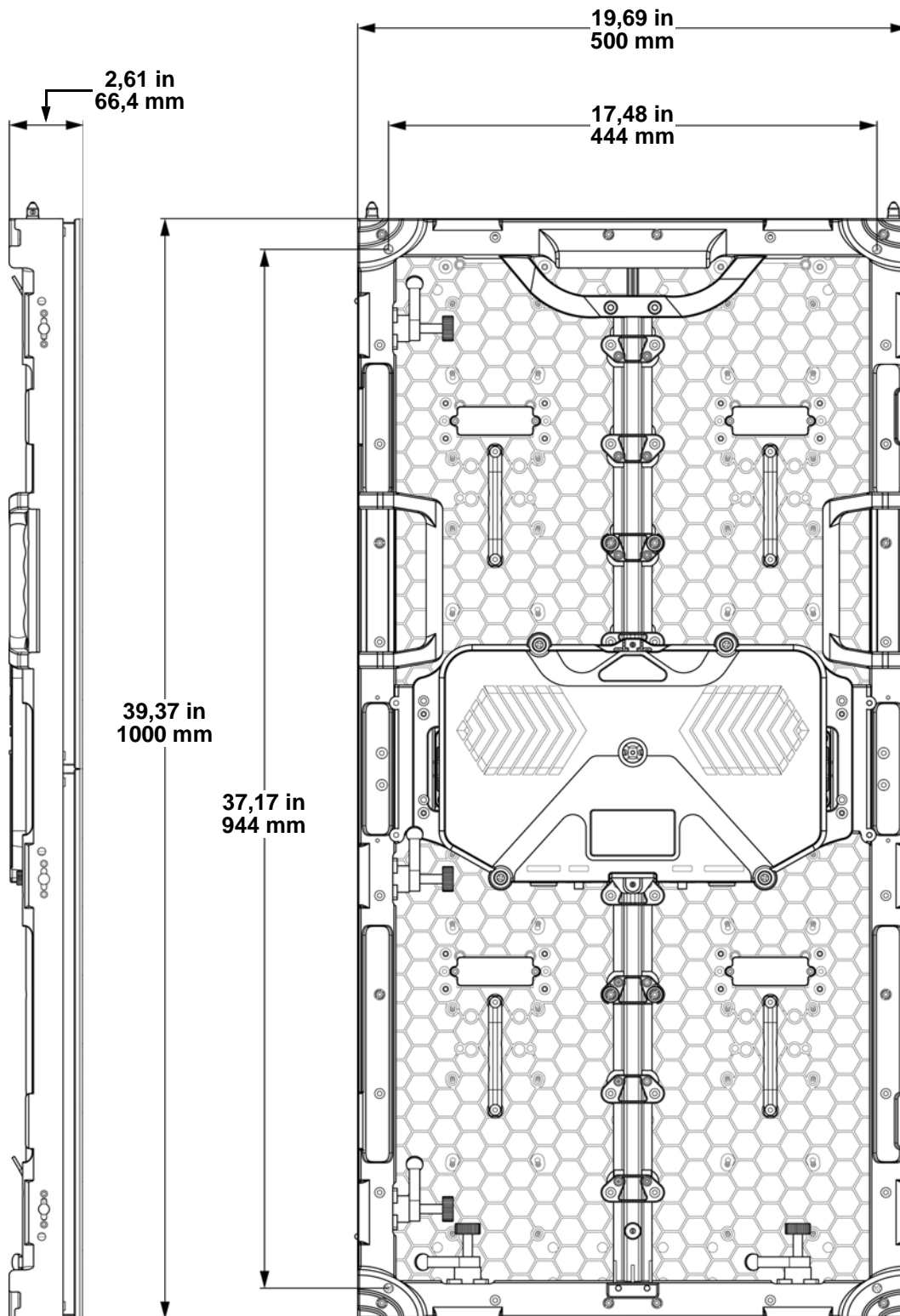
Pour calculer le nombre de panneaux, à l'horizontale et en verticale, qui pourront être gérés par un seul contrôleur VIP Drive 43Nova, vous avez besoin des éléments suivants:

- Le nombre de pixels par panneau.
- La résolution de l'écran que vous souhaitez utiliser pour votre affichage en mur vidéo.



Un contrôleur VIP Drive 43Nova est nécessaire pour faire fonctionner un système de mur vidéo F3. Vous trouverez plus loin dans ce manuel des schémas indiquant comment les panneaux F3 et le contrôleur VIP Drive 43Nova interagissent. Pour des informations détaillées sur le VIP Drive 43Nova et des exemples de calcul de panneau, veuillez vous référer au Manuel de référence du VIP Drive 43Nova.

Dimensions de l'appareil



3. Installation

Alimentation CA

Chaque panneau F3 est doté d'une alimentation universelle qui peut prendre en charge n'importe quelle tension d'entrée comprise entre 100 et 240 V CA, 50/60 Hz. Pour connaître les besoins en alimentation de chaque F3, veuillez vous référer à l'étiquette collée sur l'appareil. Vous pouvez également vous référer au tableau des [Spécifications techniques](#) de ce manuel.

La capacité nominale affichée indique la consommation maximale de courant pendant le fonctionnement normal. Pour plus d'informations, vous pouvez télécharger le manuel "Sizing Circuit Breakers"

(dimensionnement des disjoncteurs) sur le site internet de Chauvet à l'adresse:

www.chauvetprofessional.com.



- **Cet appareil doit toujours être relié à un circuit protégé et correctement mis à la terre pour éviter tout risque d'électrocution ou d'incendie.**
- **Durant les périodes de non-utilisation, pour éviter toute usure inutile et pour prolonger la durée de vie, déconnectez entièrement l'appareil en le débranchant de l'alimentation électrique ou en coupant le disjoncteur.**



Ne connectez jamais cet appareil à un rhéostat (résistance variable) ou un circuit voieur, même si vous n'avez l'intention de vous servir du rhéostat ou du canal d'assombrissement que comme interrupteur 0 à 100%.

Prise CA

Chaque F3 est livré avec un câble de chaînage électrique permettant de relier les connexions d'alimentation entre les panneaux, ainsi qu'avec un câble d'entrée d'alimentation.

Ce câble dispose d'un connecteur Seetronic Powerkon® qui se branche sur le F3 et une prise Edison pour l'entrée d'alimentation. Utilisez le tableau ci-dessous en tant que référence pour câbler une nouvelle prise.

Connexion	Câble (USA)	Câble (Europe)	Couleur de vis
Phase CA	Noir	Marron	Jaune ou laiton
Neutre CA	Blanc	Bleu	Argent
Terre CA	Vert/Jaune	Vert/Jaune	Vert

Chaînage électrique

Tous les panneaux F3 prennent en charge le chaînage électrique. Veuillez vous référer au tableau suivant pour les spécifications de chaque panneau.

Tension	Appareils F3
@ 120 V, 60 Hz	8
@ 208 V, 60 Hz	14
@ 230 V, 50 Hz	15



Veuillez vous référer à l'ensemble des codes et règlements locaux en vigueur pour une installation correcte de cet appareil.

4. Fixation

Orientation

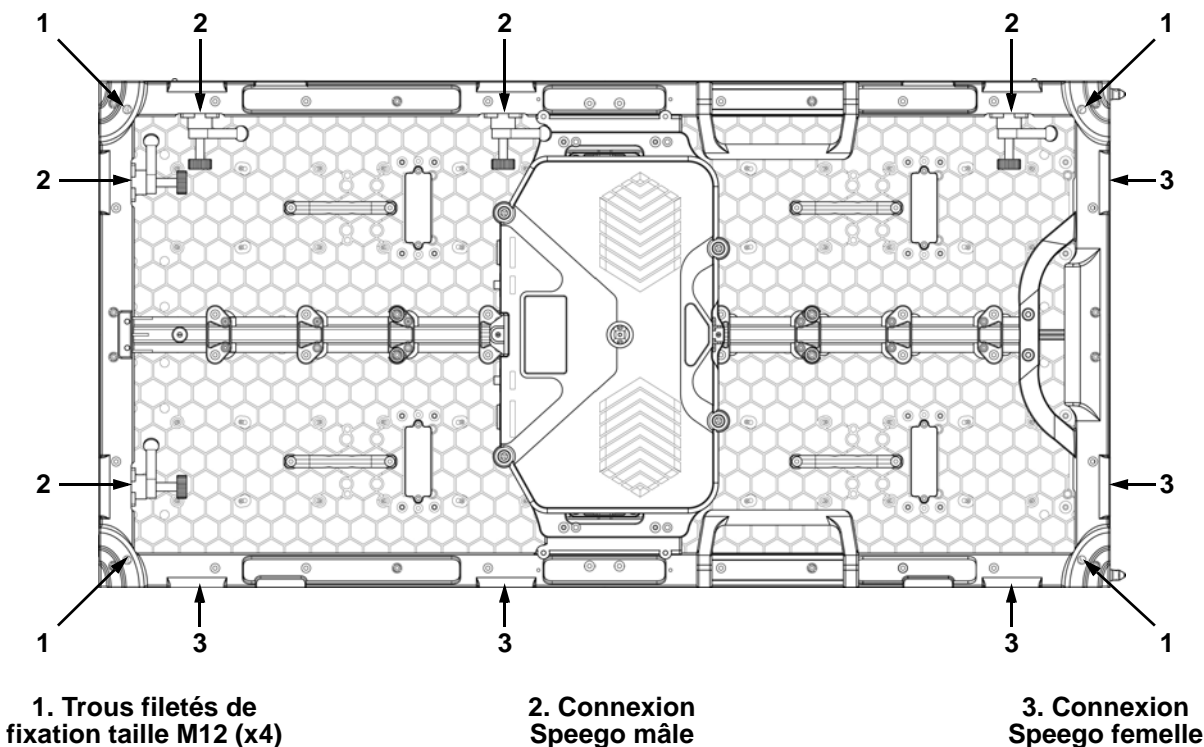
Chaque F3 est fabriqué en magnésium coulé. Cela garanti la stabilité et la facilité d'installation de chaque panneau. Chaque panneau dispose également d'une poignée intégrée pratique située sur le dessus de la face arrière, ainsi que d'un picot d'alignement situé sur le haut. Cet ensemble vous permet de facilement saisir et maintenir en toute sécurité chaque panneau lors de son montage et de son utilisation.

Les F3 peuvent être assemblés pour constituer de nombreuses configurations modulaires. Les panneaux situés sur le dessus peuvent être accrochés en toute sécurité à un treillis ou toute autre surface stable. Toujours veiller à accrocher en laissant suffisamment d'espace pour la ventilation, la configuration et l'entretien.

Chauvet recommande de suivre les recommandations générales qui suivent.

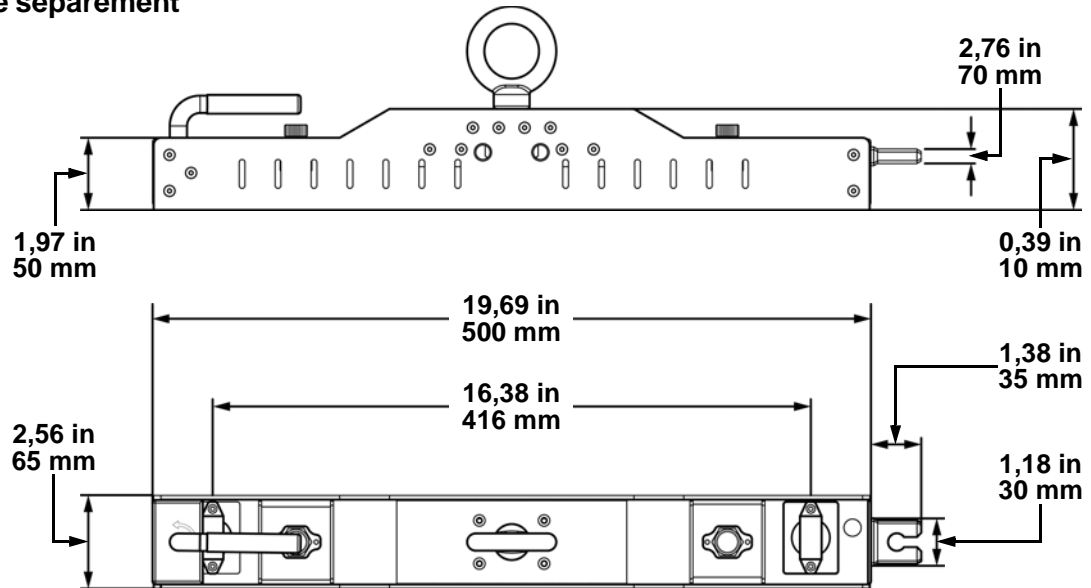
- Lors du choix d'un emplacement pour l'installation, veuillez prendre en considération la facilité d'accès pour l'utilisation et l'entretien régulier.
- Assurez-vous d'accrocher ce produit à l'écart de toute matière inflammable comme indiqué dans la section [Consignes de Sécurité](#).
- Ne montez jamais l'appareil dans des endroits où la pluie, des changements de température extrêmes ou un manque de ventilation pourraient endommager l'appareil.
- Assurez-vous que la structure et les points d'attache auxquels vous accrochez les panneaux peuvent supporter le poids.
- Assurez-vous que l'intégralité du matériel de fixation utilisé peut supporter le poids.
- Veuillez consulter la section [Spécifications techniques](#) pour les exigences en poids de chaque F3.

Points de fixation



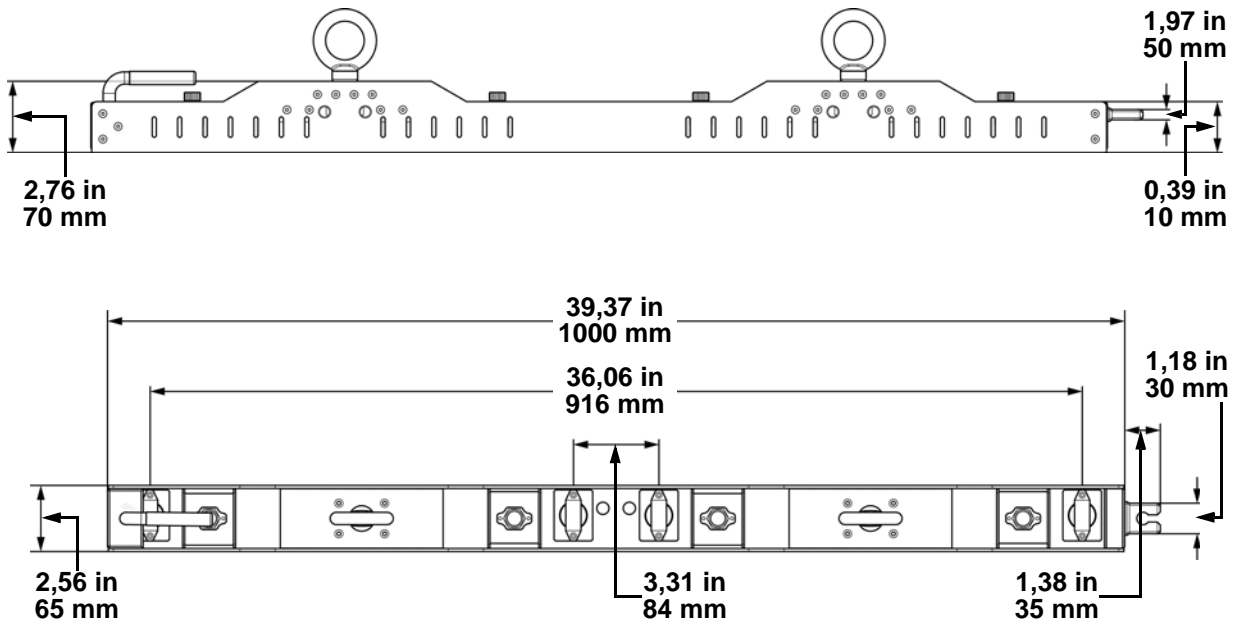
Dimensions de la Rig Bar RB-F50CM

Vendue séparément

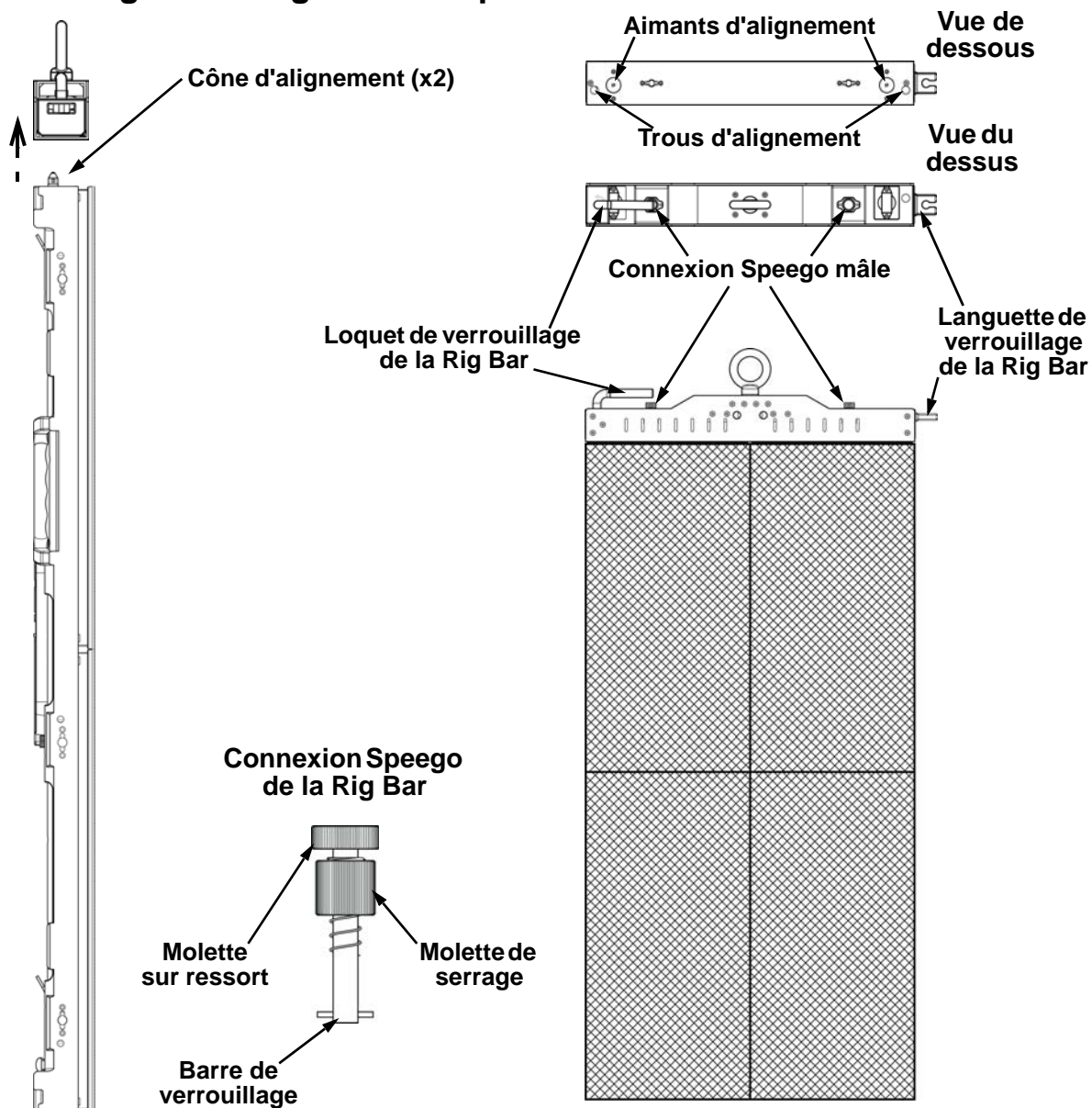


Dimensions de la Rig Bar RB-F100CM

Vendue séparément



Assemblage de la Rig Bar et du panneau



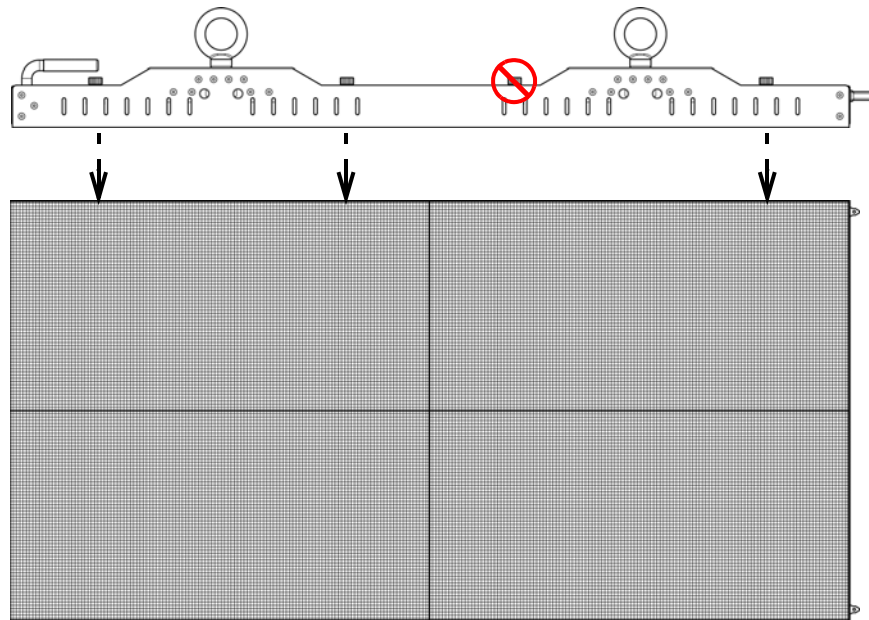
1. Insérez les cônes d'alignement dans les trous d'alignement jusqu'à ce que les aimants se connectent.
2. Insérez les barres de verrouillage Speego de la Rig Bar dans les connexions Speego femelles du F3.
3. Tournez de 90° la molette sur ressort de la connexion Speego de la Rig Bar jusqu'à ce qu'elle se verrouille en place.
4. Tournez la molette de serrage dans le sens des aiguilles d'une montre jusqu'à ce que le F3 soit bien fixé à la Rig Bar.
5. Pour détacher la Rig Bar du F3, effectuez les étapes précédentes en ordre inverse.



- Les aimants d'alignement du F3 et de la Rig Bar F-Series sont conçus pour supporter de manière temporaire le poids du panneau et pour permettre à l'utilisateur d'aligner et de serrer correctement le panneau en place.
- Chaque côté du F3 dotés de connexions Speego femelles peut être fixé à une Rig Bar F-Series, cependant seul le côté court dispose de cônes et d'aimants d'alignement. Lorsque vous souhaitez fixer le côté long du F3 à une Rig Bar, assurez-vous bien que les pixels sont alignés d'un panneau à l'autre.



Attention! Les fixations magnétiques ne permettent pas de supporter de poids et servent uniquement d'aide à l'alignement. Ne relâchez pas le panneau tant que le matériel de suspension n'a pas été correctement fixé.

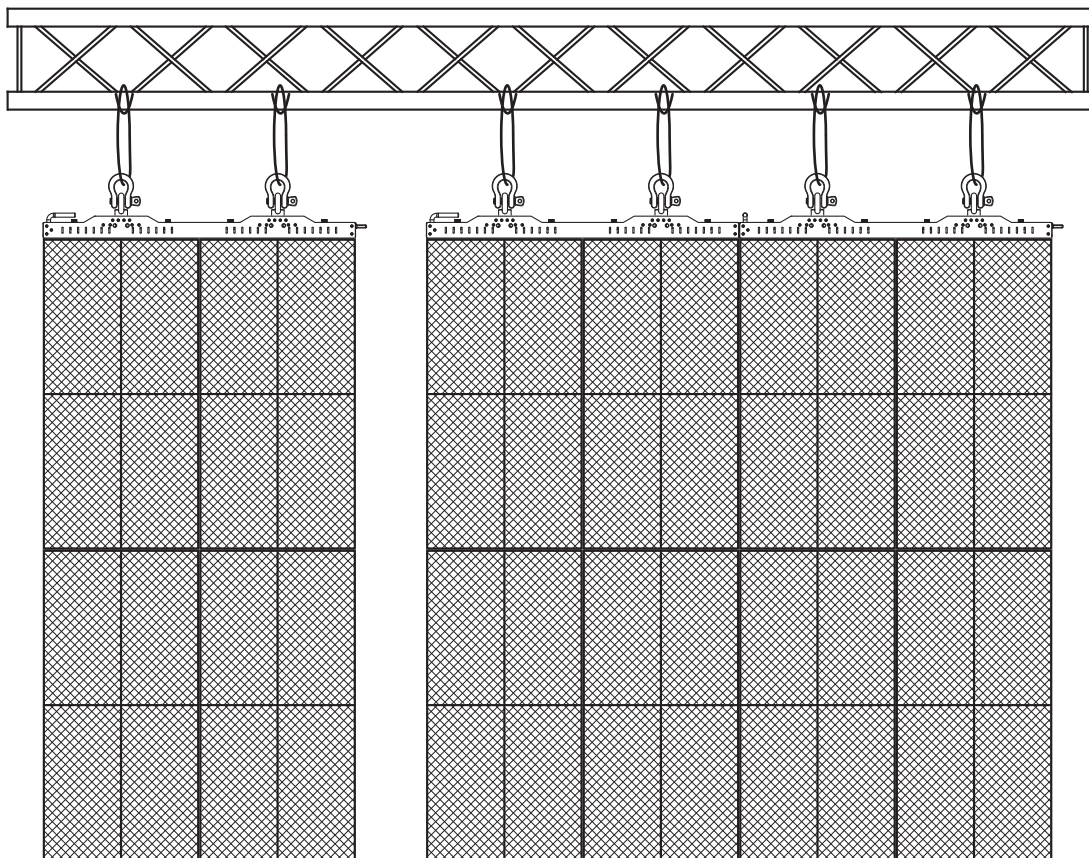
Autre assemblage de la Rig Bar et du panneau

Le F3 peut être installé à l'horizontale avec la barre d'attache RB-F100CM. Suivez les mêmes instructions que pour [Assemblage de la Rig Bar et du panneau](#), tout en prenant un soin particulier car les côtés longs de l'appareil ne disposent pas de cônes d'alignement ou d'aimants.

Lors de l'installation horizontale sur le RB-F100CM, l'une des connexions Speego de la barre d'attache n'est pas utilisée.

Installation sur treillis

Veillez vous référer au schéma suivant pour l'installation sur un treillis. Chauvet propose des Rig Bar F-Series (vendues séparément) spécialement conçues pour accrocher les panneaux.

Fixation sur un treillis à l'aide de la Rig Bar F-Series en option

Les points de fixation M12 et M10 ne sont pas prévus pour un accrochage ou une suspension à un treillis ou toute autre structure en hauteur.

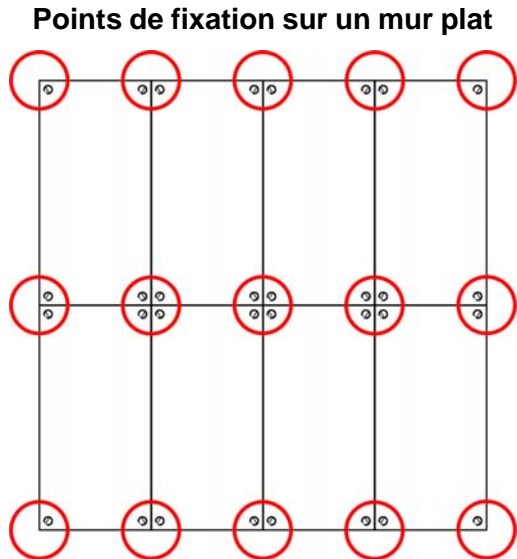
Afin de suspendre les panneaux à un treillis ou toute autre structure en hauteur, utilisez les Rig Bar F-series (RB-F50CM ou RB-F100CM, vendues séparément).



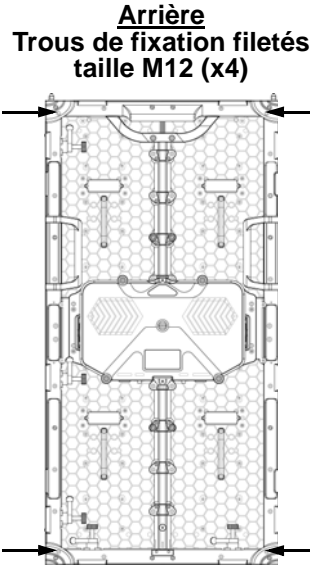
Les illustrations ci-dessus ne sont que des exemples. Veuillez vous référer à l'ensemble des codes et règlements locaux en vigueur pour une installation correcte de l'appareil.

Installation sur un mur plat

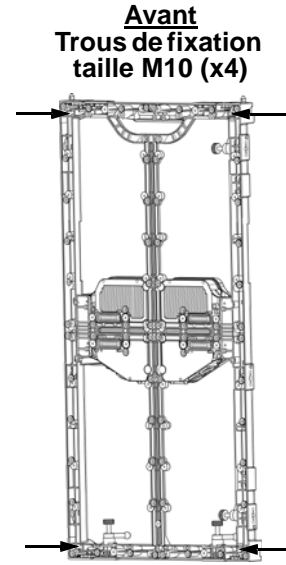
Veillez vous référer au schéma suivant pour l'installation sur un mur plat.



Il est nécessaire de fixer au moins un point de fixation pour chaque jonction (encerclé ci-dessus), y inclus les bords et coins extérieurs



Les boulons M12 doivent être utilisés pour les installations par l'arrière



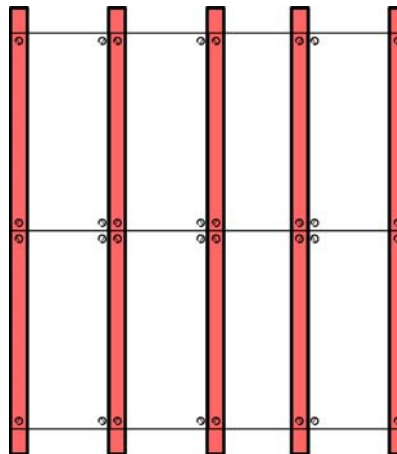
Les boulons SAE 3/8 ou M10 sont compatibles pour les installations par l'avant



Les 4 trous de fixation à l'arrière et à l'avant sont prévus pour une installation par encastrement sur une surface plane sur des panneaux vidéo. Il est nécessaire d'utiliser au moins un point de fixation pour chaque fonction, y inclus les bords et coins extérieurs, afin de conserver l'intégrité structurelle. Les points de fixation ne sont pas prévus pour un accrochage ou une suspension à un treillis ou toute autre structure en hauteur.

Chauvet recommande l'utilisation d'un treillis VERTICAL pour chaque colonne de panneaux, et un supplémentaire, comme montré sur le schéma suivant:

4 colonnes + 1 = 5
treillis en acier

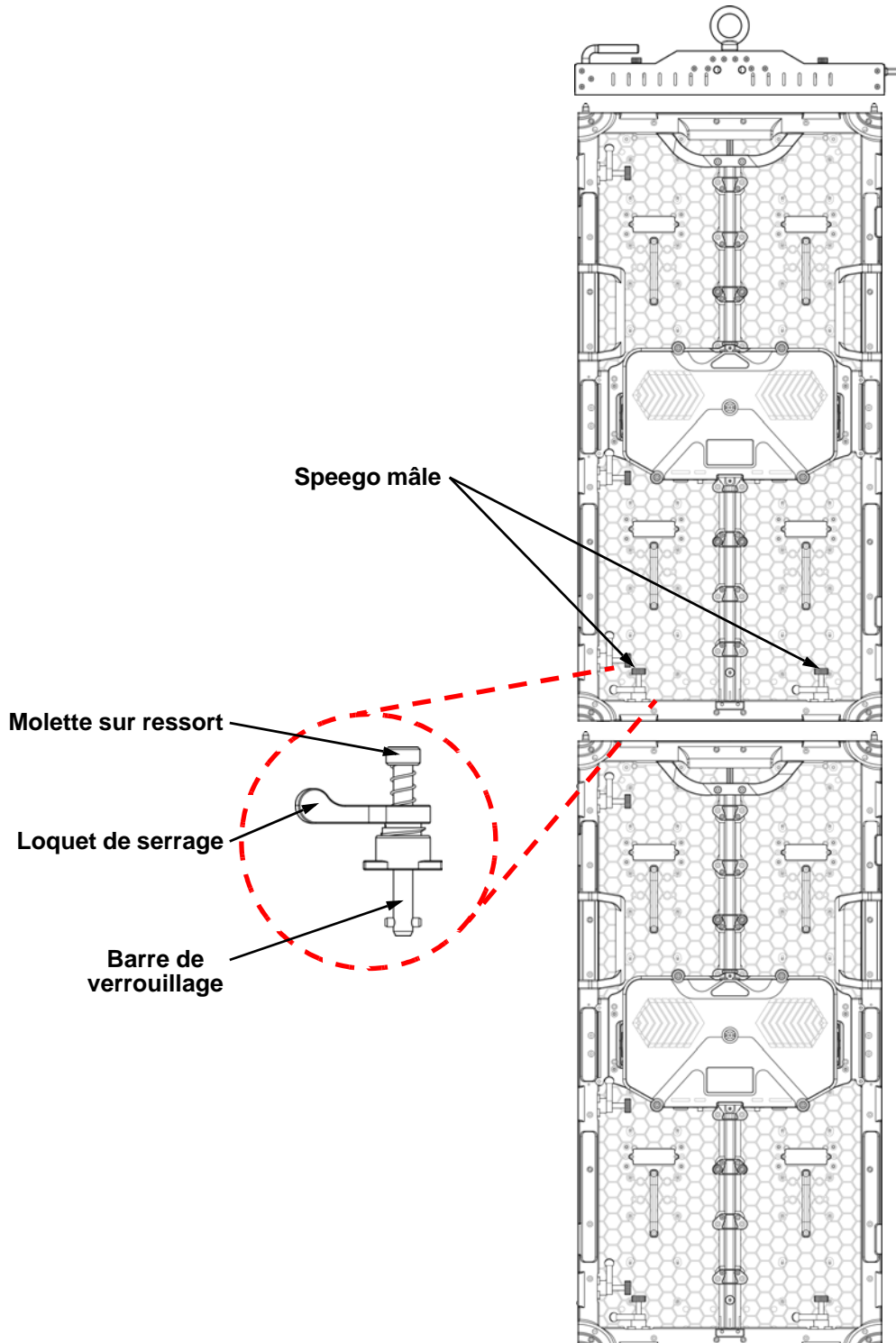


Les illustrations ci-dessus ne sont que des exemples. Veuillez vous référer à l'ensemble des codes et règlements locaux en vigueur pour une installation correcte de l'appareil.

5. Assembler les F3 les uns aux autres (création d'une configuration modulaire)

Assemblage vertical des panneaux

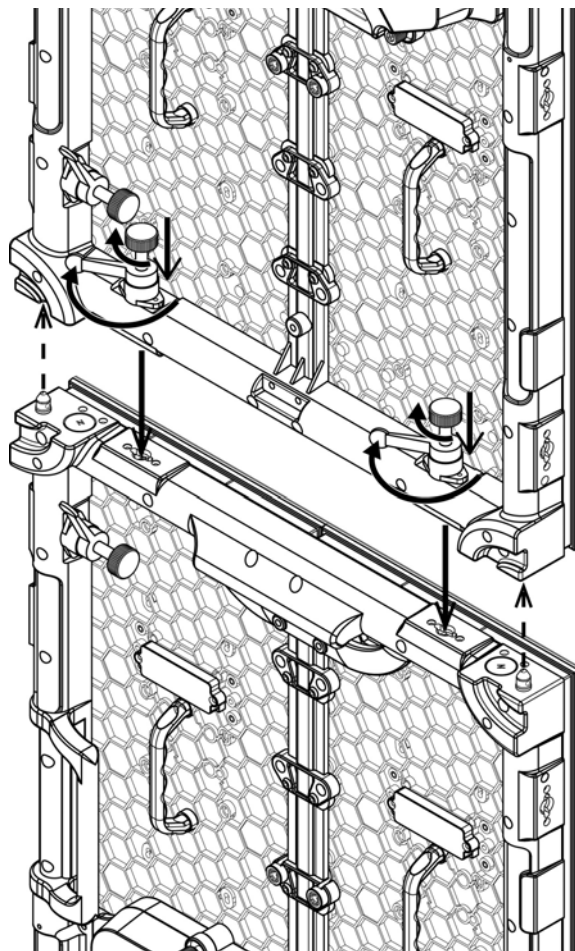
Chaque F3 peut être facilement assemblé de manière verticale sur un treillis à l'aide d'une barre d'attache (vendue séparément) et des deux connexions Speego femelles situées au niveau des coins supérieurs de chaque panneau. Utilisez les connexions Speego mâles situées en bas de chaque panneau pour connecter des panneaux supplémentaires. Ces connecteurs restent encastrés lorsqu'ils ne sont pas utilisés.



Connexion verticale des panneaux

Utilisez les instructions qui suivent pour assembler des panneaux verticalement:

1. Alignez les cônes d'alignement sur le dessus de chaque panneau avec les aimants d'alignement en bas et en haut de chaque panneau.
2. Insérez les connexions Speego mâles dans les connexions Speego femelles.
3. Tournez les molettes sur ressort dans les sens des aiguilles d'une montre sur 90°.
4. Tournez les loquets de verrouillage dans le sens des aiguilles d'une montre de 180° jusqu'à ce qu'ils soient bien serrés.

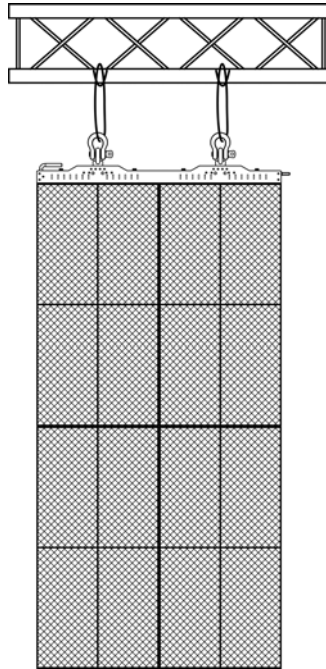


Attention! Les fixations magnétiques ne permettent pas de supporter de poids et servent uniquement d'aide à l'alignement. Ne relâchez pas le panneau tant que le matériel de suspension n'a pas été correctement fixé.

Assembler les F3 les uns aux autres

Assemblage horizontal des panneaux

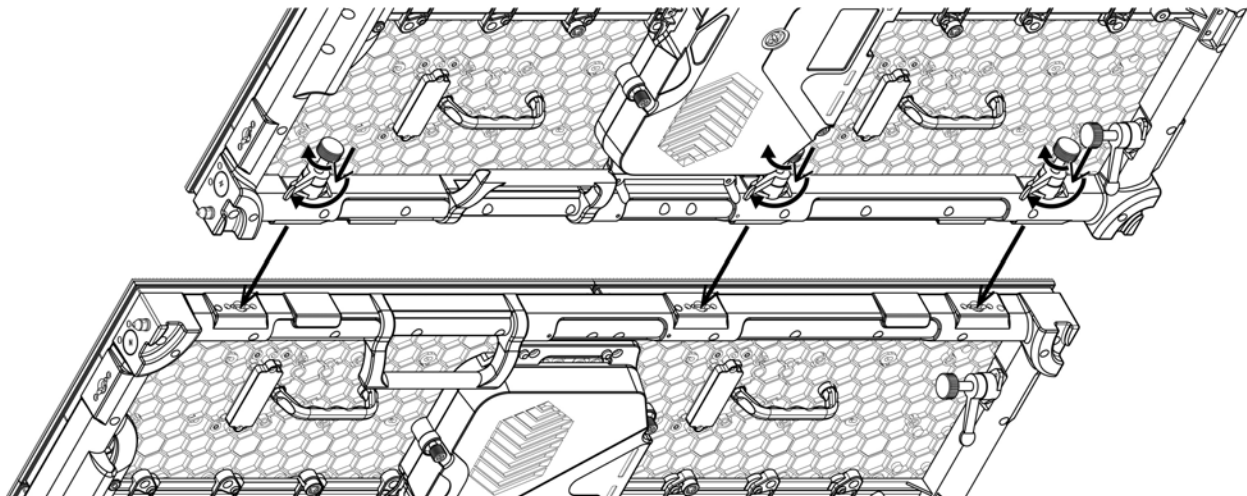
Chaque F3 peut être facilement assemblé horizontalement en utilisant les connexions Speego situées à l'intérieur, sur le côté gauche, en haut et en bas de chaque panneau.



Connexion horizontale des panneaux

Utilisez les instructions qui suivent pour assembler des panneaux horizontalement:

1. Alignez chacune des connexions Speego mâles des panneaux avec les connexions Speego femelles correspondantes des panneaux à ajouter.
2. Insérez les connexions Speego mâles dans les connexions Speego femelles.
3. Tournez les molettes sur ressort dans le sens des aiguilles d'une montre sur 90°.
4. Tournez les loquets de verrouillage dans le sens des aiguilles d'une montre de 180° jusqu'à ce qu'ils soient bien serrés.



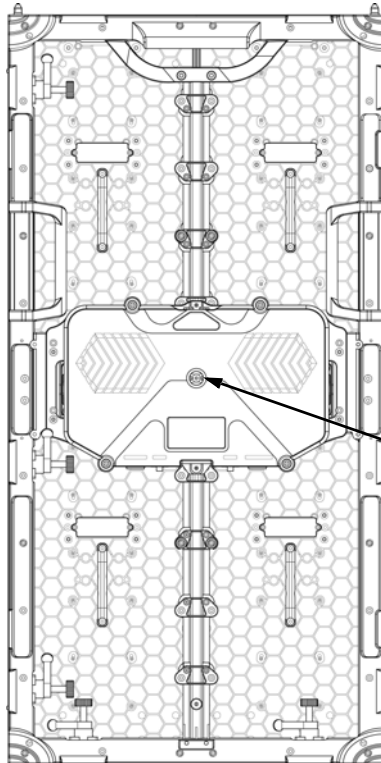
6. Connexion (câblage) de chaque F3

Test des connexions de signal et d'alimentation

Chaque F3 est équipé de 2 prises d'alimentation et de 2 ports de signal.

- Les connexions de signal et d'alimentation sont situées sur le côté inférieur droit de chaque panneau.
- Les ports de signal peuvent être utilisés indifféremment.
- Chaque F3 dispose d'un voyant LED sur le bouton test au centre du panneau.
- Chaque panneau indique qu'une connexion à l'alimentation s'est effectuée avec succès en affichant un voyant d'indication rouge fixe.
- Chaque panneau indique la présence d'un signal lorsque le voyant LED se met à clignoter rapidement en vert. Lorsque le voyant LED clignote en vert lentement, cela indique une absence de signal.

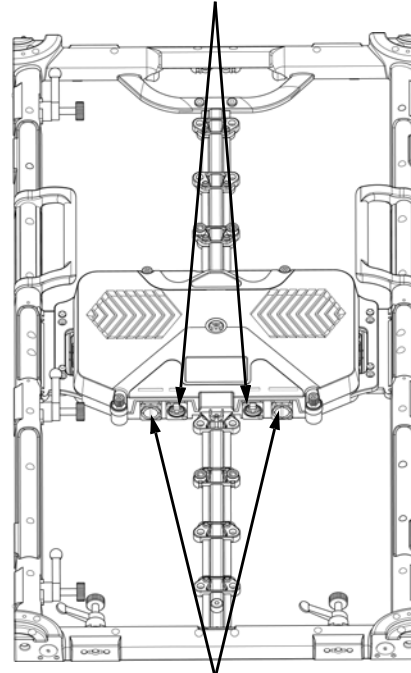
Vue du panneau arrière



Bouton test/
LED d'indication
d'alimentation/
signal

**Vue de la face inférieure
de l'accès pour entretien**

Connexions du signal



Entrée/sortie d'alimentation

Utilisation du bouton Test du F3

Chaque F3 dispose également d'un bouton Test utilisé pour s'assurer que toutes les LEDs fonctionnent. Utilisez le bouton Test de chaque panneau pour effectuer un test automatique. Lors des tests automatiques, vous devez procéder à un F3 à la fois. Il n'est pas nécessaire de connecter le panneau à un signal ou d'utiliser un logiciel.



Lors de l'utilisation du bouton Test, assurez-vous que le F3 n'est pas connecté au VIP Drive 43Nova.

Pour utiliser le bouton Test, vous devez connecter l'alimentation, mais pas les câbles de signal. Appuyez sur le bouton test pour parcourir les différentes configurations d'affichage de lumière LED.

Connexion (câblage) de chaque F3

Connexion des câbles d'alimentation et de signal

Les sections suivantes fournissent des informations et des schémas sur la connexion du signal et de l'alimentation entre les panneaux.

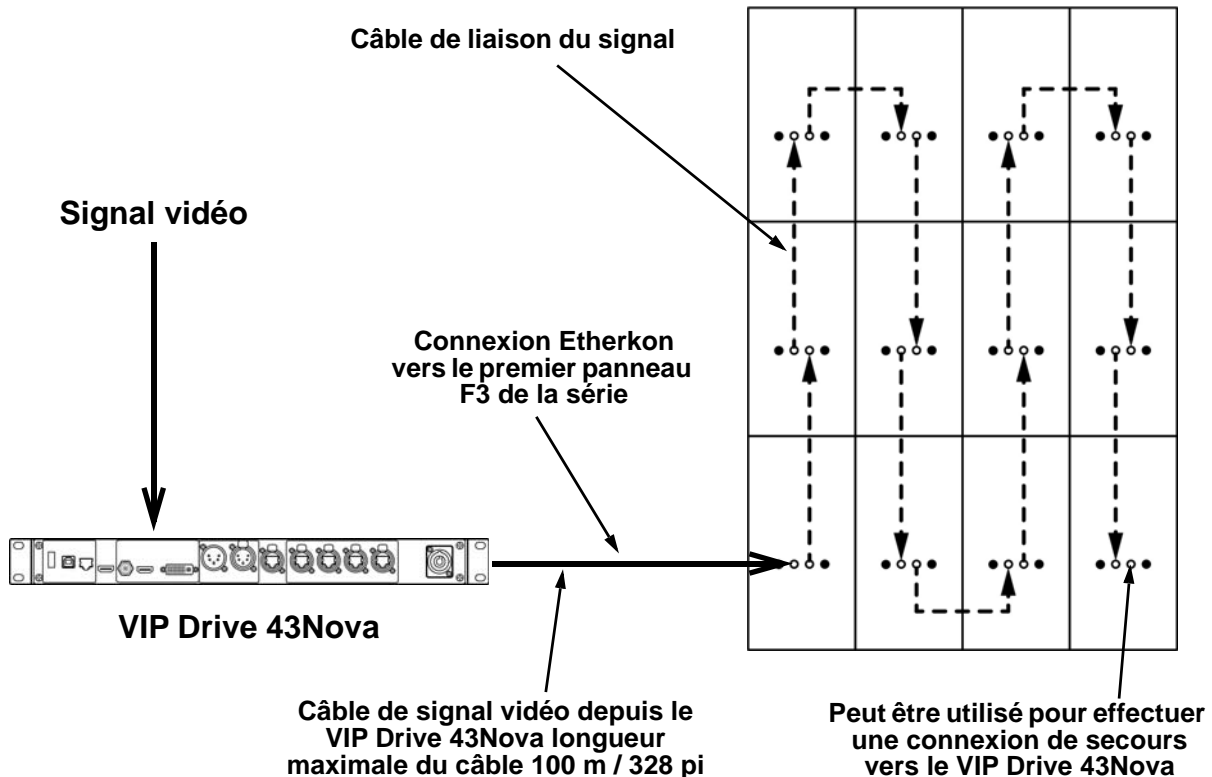
Veillez vous référer aux sections [Introduction](#) ou [Utilisation](#) de ce manuel d'utilisation pour les câbles disponibles et les numéros d'article.

Connexion du signal entre des panneaux assemblés

La connexion du signal entre les panneaux peut être effectuée de différentes manières. La configuration de base pour connecter le signal d'un panneau à un autre est la suivante:

1. Le signal source est connecté au premier panneau.
2. Un câble de signal est alors connecté à partir du premier panneau.
3. Les connexions continuent en chaîne jusqu'à ce que tous les panneaux soient connectés.
4. Le cheminement des câbles utilisé pour effectuer les connexions de signal peut varier.

Le schéma qui suit est une recommandation de branchements de signal entre les panneaux.



Connexion de l'alimentation entre des panneaux assemblés

La connexion du câble d'alimentation entre les panneaux peut également être effectuée de différentes manières. La configuration de base pour connecter l'arrivée en alimentation d'un panneau à un autre est la suivante.

1. L'alimentation principale est connectée à l'entrée ou la sortie d'alimentation du premier panneau.
2. Un câble d'alimentation est alors connecté à la sortie d'alimentation du premier panneau et connecté à l'entrée d'alimentation du panneau suivant.
3. Les connexions continuent jusqu'à ce que tous les panneaux soient connectés.

Connectez l'alimentation entre les panneaux en utilisant la même procédure que pour le signal mais en utilisant les connecteurs d'entrée et de sortie d'alimentation. Vous devez respecter les spécifications de chaînage électrique pour chaque modèle de F3.

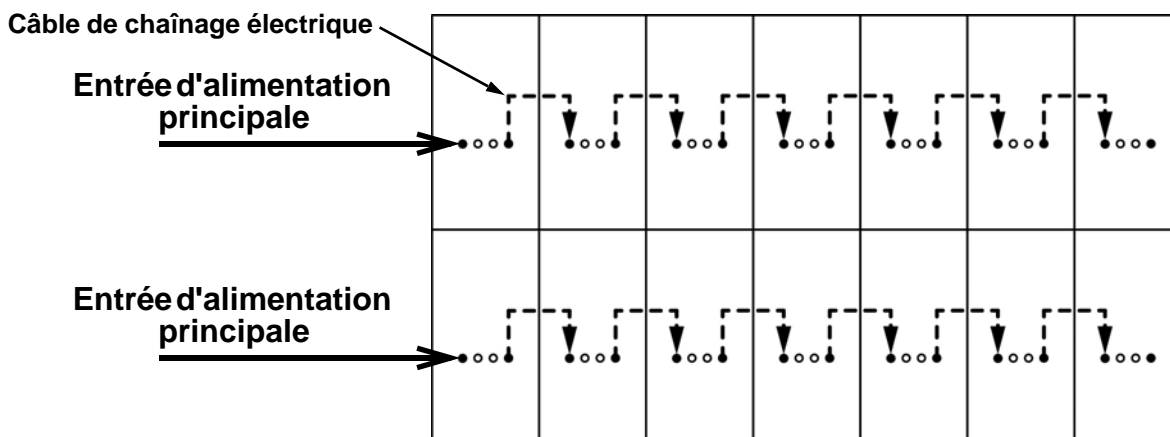
Veillez vous référer à la section [Chaînage électrique](#) pour plus de détails sur le nombre de panneaux qui peuvent être reliés en fonction de la tension d'une seule connexion d'alimentation.



Le chaînage électrique d'un nombre de panneaux supérieur à celui recommandé annule votre garantie et augmente le risque d'électrocution ou d'incendie!

Veillez vous référer au schéma suivant pour un exemple de connexion d'alimentation à partir du secteur jusqu'à chaque panneau connecté.

Cet exemple utilise un chaînage électrique horizontal de 7 panneaux F3 sur du 120V.



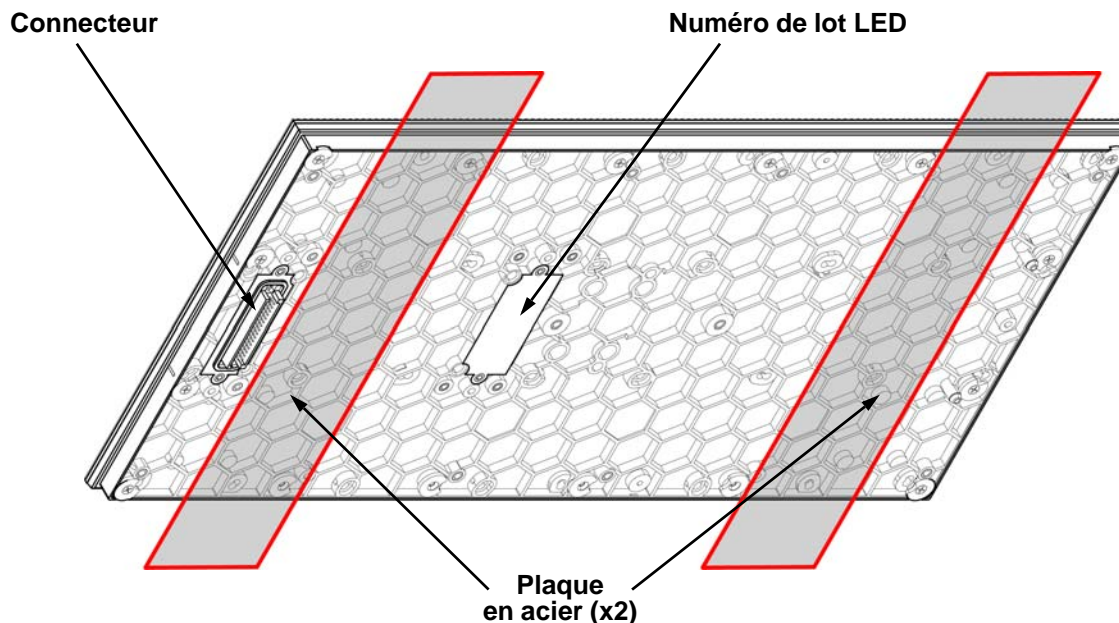
7. Entretien et remplacement des modules LED

Module LED F3

Chaque F3 comporte 4 modules LED connectés au cadre du panneau par des aimants. Chaque module dispose d'un unique connecteur relié à l'unité de traitement centrale.

Numéros de lot LED

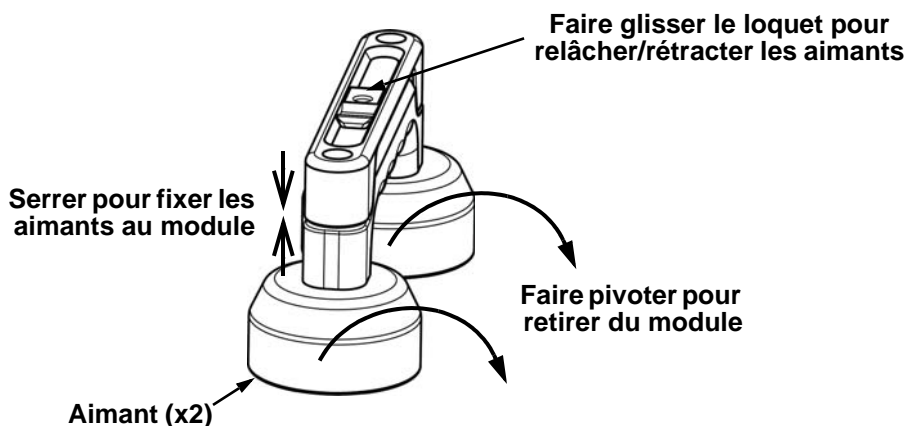
Pour s'assurer d'un ensemble cohérent des couleurs et de la sortie, remplacez les modules endommagés ou défectueux avec des modules portant le même numéro de lot LED. Lors de la combinaison de panneaux pour former des systèmes entiers de mur vidéo (location, installations permanentes, etc...), il est fortement recommandé que le numéro de lot LED de chaque panneau soit identique. Le numéro de lot LED peut être trouvé à l'arrière de chaque panneau.



Modules A et B

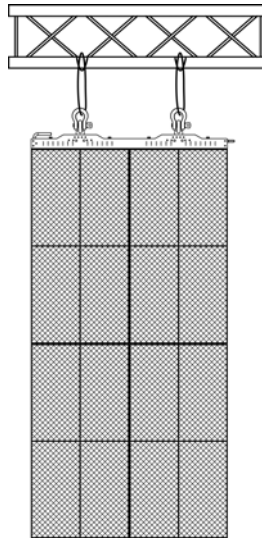
Le F3 dispose de 2 types de modules conçus pour se brancher dans le module de service dans un seul sens. Vérifiez l'orientation du libellé LED LOT # pour déterminer si le module est de type A (moitié haute, connecteur en bas) ou de type B (moitié basse, connecteur en haut).

Utilisation du MT-03

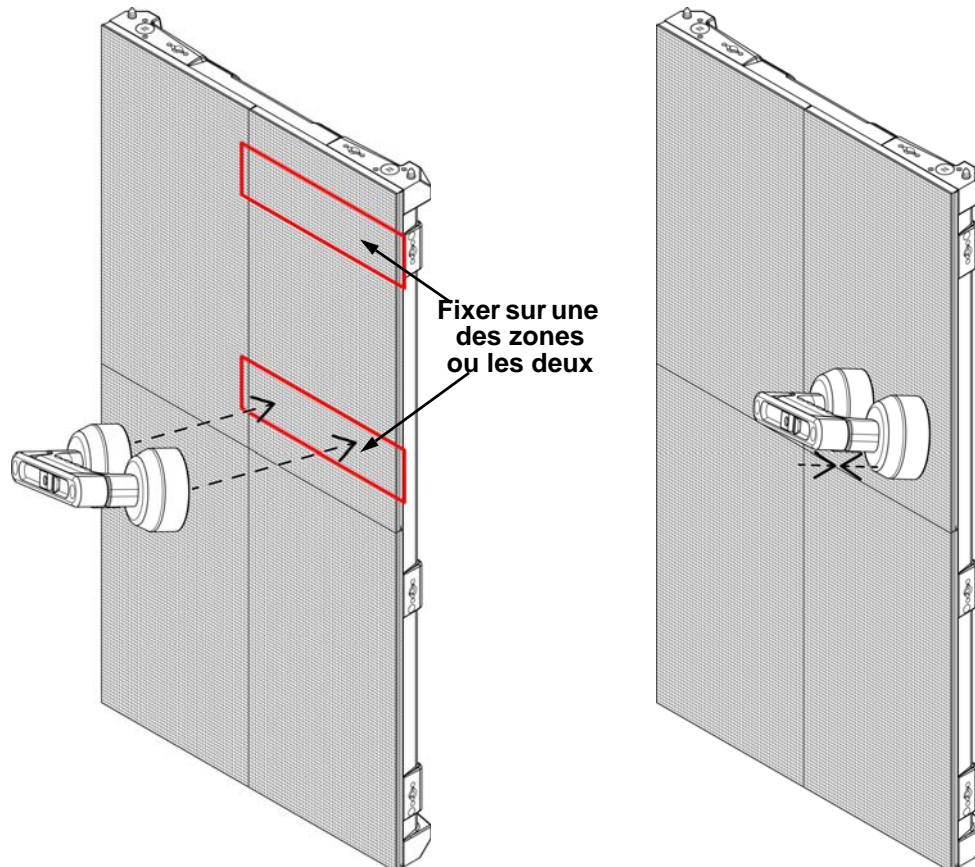


Le MT-03 est spécialement conçu pour retirer et placer avec précaution les modules LED du F3 à l'avant lorsque le panneau est monté en configuration de mur vidéo. Avant d'utiliser cet outil, familiarisez-vous bien avec la manière de l'utiliser en lisant toutes les procédures de dépose et d'installation d'un module.

Dépose de module LED du F3 LED avec le MT-03



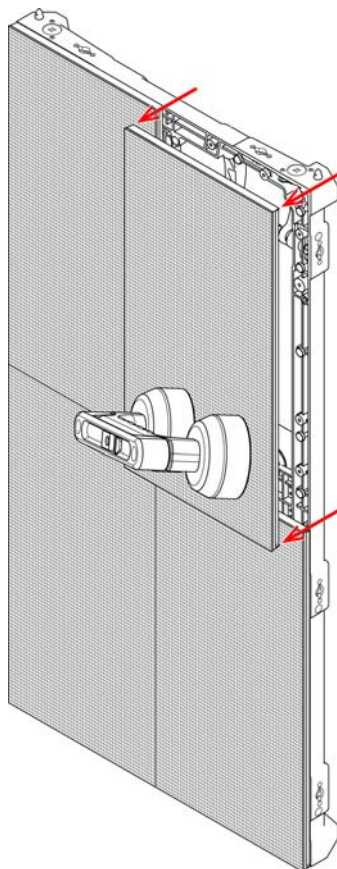
1. Identifiez le module devant être retiré.



2. Positionnez avec soin le MT-03 en haut et/ou en bas du module à retirer. Placez le MT-03 en position ouverte contre le module puis serrez la gâchette de la poignée afin de fixer les aimants au module.



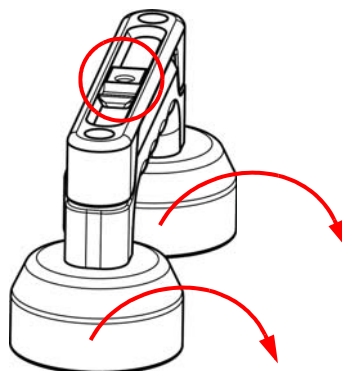
Des dommages peuvent se produire si le MT-03 n'est pas en position ouverte lorsqu'il est placé contre le module.



3. Tout en forçant progressivement et de manière constante, tirez aussi droit que possible le MT-03 jusqu'à ce que le module soit détaché du cadre.



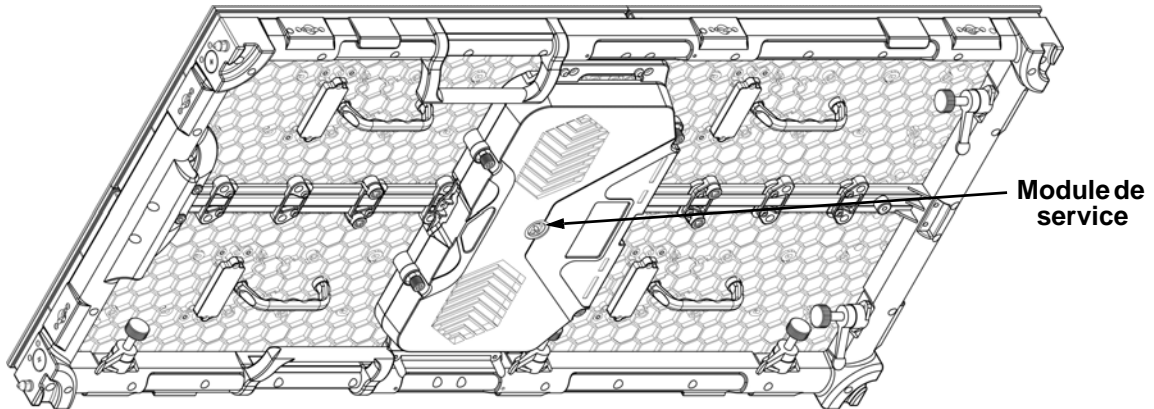
Procédez avec attention lors de la dépose du module pour ne pas endommager les connecteurs fixés à l'arrière du module.



4. Faites tourner avec soin le MT-03 sur le côté pour l'enlever du module.
5. Utilisez la languette à l'arrière du MT-03 pour rétracter les aimants.
6. Effectuez les étapes ci-dessus dans l'ordre inverse pour installer le nouveau module.

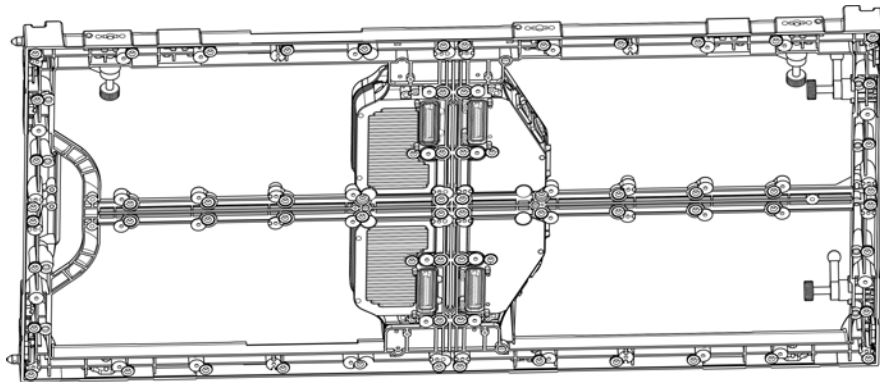
8. Configuration du panneau du F3

Passer d'un accès par l'avant à un accès par l'arrière

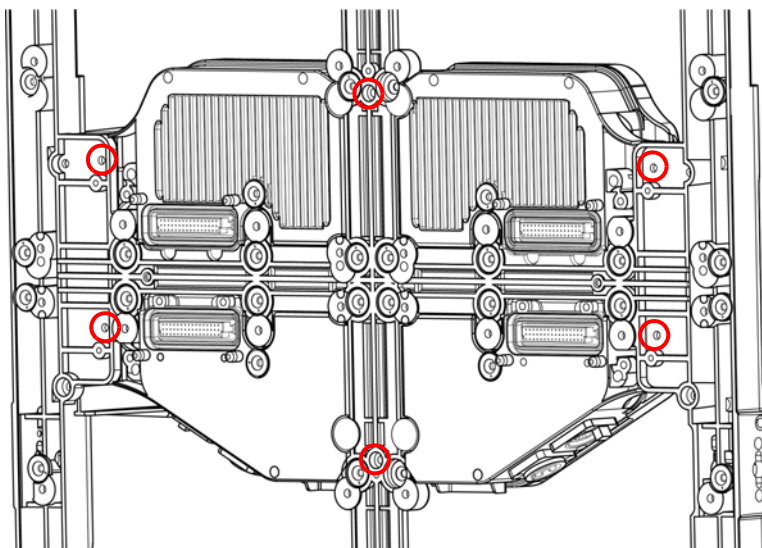


Le module de service du F3 peut être accédé et enlevé par l'avant ou par l'arrière du panneau, selon la configuration du panneau choisie par l'utilisateur. Cela permet au panneau d'être entièrement accessible par l'avant (par défaut) ou par l'arrière afin qu'un technicien n'ait pas à se déplacer autour d'un mur vidéo entier à répétition pour remplacer un seul panneau. Suivez les instructions ci-dessous pour configurer le F3 d'un accès par l'avant à un accès par l'arrière:

Le F3 doit être accessible par l'avant lorsqu'il est utilisé fixé sur un mur plat et qu'il n'y a donc aucun accès possible par l'arrière de l'assemblage vidéo. Le F3 peut être configuré en accès par l'arrière lorsque l'arrière de l'assemblage vidéo est plus facile d'accès que le devant.



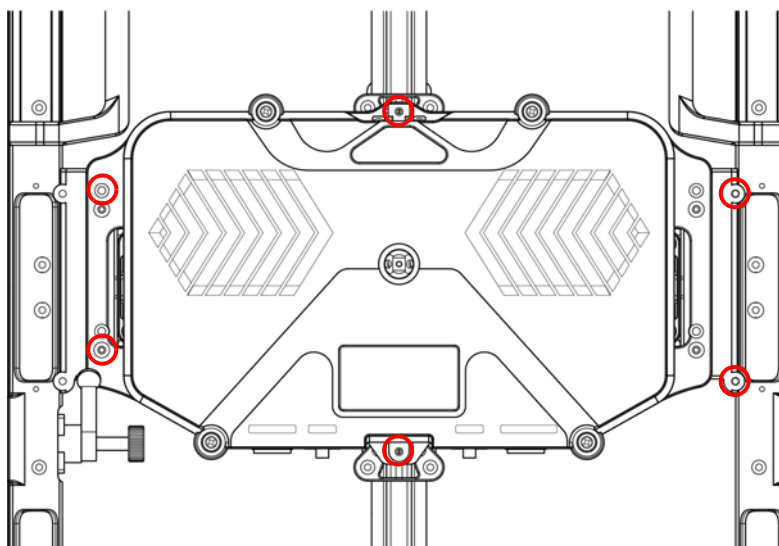
1. Retirez les modules comme indiqué à la section [Entretien et remplacement des modules LED](#).



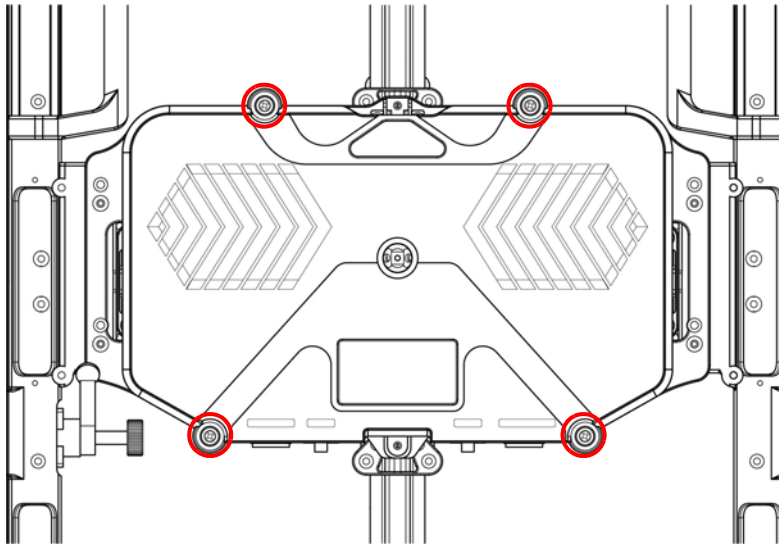
2. Retirez les 6 vis de l'avant du module de service.



Procédez avec soin lorsque vous enlevez ces vis car le module de service sera détaché du cadre du panneau jusqu'à la complétion de l'étape suivante.



3. Installez ces vis à l'arrière du module de service.
4. Remettez en place les modules comme indiqué à la section [LED Module Care and Replacement](#).
5. Effectuez les étapes en ordre inverse pour rendre le panneau accessible par l'avant à nouveau.

Accès au module de service

Enlevez les 4 vis à molette pour accéder à l'intérieur du module de service.

9. Installation F3 type

Étant donné qu'un système de mur vidéo peut inclure une multitude de composants pour former une configuration de mur modulaire qui va du simple au complexe, suivez les étapes suivantes d'une manière générale pour débiter.

Étape 1

Ouvrez et inspectez la mallette du F3 pour vous assurer que vous avez reçu tous les appareils et accessoires et que chacun est en bon état.

Étape 2

Branchez et lancez le test automatique pour chaque F3 pour vous assurer que l'intégralité des LEDs et des connexions internes de chaque panneau fonctionnent (optionnel).

Étape 3

Préparez une surface stable (par exemple un treillis ou toute autre surface stable) pour l'installation du F3.

Étape 4

Installez la première rangée supérieure de F3s. Référez vous à la section [Fixation](#) de ce manuel d'utilisation.

Étape 5

Réglez l'alignement de la première rangée en utilisant les connecteurs Speego.

Étape 6

Connectez la source de signal au VIP Drive 43Nova.

Étape 7

Connectez le VIP Drive 43Nova au port de signal du premier panneau de votre chaîne de connexion.

Étape 8

Selon votre configuration (conception) de mur vidéo, assemblez chaque panneau, soit horizontalement ou verticalement, en utilisant les instructions de la section [Assembler les F3 les uns aux autres \(création d'une configuration modulaire\)](#).

Référez-vous aux instructions et aux informations contenues dans la section [Connexion \(câblage\) de chaque F3](#).

10. Utilisation

Matériel et logiciel additionnels

En plus des panneaux, vous aurez également besoin de matériel et logiciels supplémentaires pour concevoir, construire et faire fonctionner votre système de mur vidéo VIP. Le tableau qui suit résume ces articles supplémentaires, certains étant requis et d'autre optionnels.

Article	Description
VIP Drive 43Nova	Interface entre la source de signal, le logiciel NovaLCT-Mars et le F3 utilisé
NovaLCT-Mars	Logiciel utilisé pour concevoir et faire fonctionner les F3s qui constituent un mur vidéo. Un ordinateur est nécessaire
F-Series Rig Bar (en option)	Contient le matériel nécessaire pour monter des F3
Câble d'extension de signal Neutrik® etherCON® (en option)	Câble d'extension Neutrik etherCON CAT6, 45 cm (18 in) Câble d'extension Neutrik etherCON CAT6, 1,5 m (5 pi) Câble d'extension Neutrik etherCON CAT6, 3 m (10 pi) Câble d'extension Neutrik etherCON CAT6, 7,5 m (25 pi) Câble d'extension Neutrik etherCON CAT6, 15 m (50 pi)
Câble d'extension Neutrik® powerCON® (en option)	Câble d'extension Neutrik powerCON, 45 cm (18 in) Câble d'extension Neutrik powerCON, 1,5 m (5 pi) Câble d'extension Neutrik powerCON, 3 m (10 pi) Câble d'extension Neutrik powerCON, 7,5 (25 pi) Câble d'extension Neutrik powerCON, 15 m (50 pi)
VIP Media System	Système vidéo sur ordinateur montable en rack
ArKaos MediaMaster	Logiciel de lecture vidéo

A propos du NovaLCT-Mars

NovaLCT-Mars est un logiciel puissant et intuitif utilisé pour concevoir et faire fonctionner des systèmes de mur vidéo F3. Les informations qui suivent donnent quelques éléments d'introduction sur le logiciel.

Référez-vous au manuel d'utilisation du VIP Drive 43Nova pour obtenir des informations détaillées et des instructions sur le paramétrage et l'utilisation du logiciel NovaLCT-Mars avec votre système de mur vidéo Chauvet F3.

Description

Le logiciel NovaLCT-Mars vous permet de créer et contrôler votre mur vidéo en pilotant les panneaux qui composent votre mur vidéo, y inclut le pas de pixel et la disposition.

Une fois votre configuration de mur vidéo modulaire effectivement réalisée par assemblage des panneaux, par connexion à l'alimentation, au signal et au VIP Media System, vous devez recréer cette conception dans le logiciel NovaLCT-Mars.

Des informations et instructions détaillées sont disponibles dans le manuel d'utilisation de VIP Drive 43Nova.



Chauvet ne recommande pas d'utiliser le logiciel NovaLCT-Mars pour une lecture en live lors d'un spectacle. Dans de tel cas, Chauvet propose le logiciel Arkaos MediaMaster qui offre de nombreux déclencheurs de lecture, par exemple par DMX, Art-Net, MA-Net, MIDI ou QWERTY.

11. Informations techniques

Entretien du F3

Pour une performance optimale et une usure minimisée, cet appareil doit être nettoyé régulièrement par l'utilisateur. Les conditions environnementales et d'utilisation peuvent exiger un nettoyage plus fréquent.

En règle générale, vous devez nettoyer l'appareil au moins deux fois par mois. L'accumulation de poussière réduit la sortie de lumière et peut entraîner une surchauffe de l'appareil. La durée de vie des sources lumineuses s'en trouve réduite et l'usure mécanique accrue.

Pour nettoyer un F3, suivez les instructions ci-dessous:

1. Débranchez le panneau.
2. Attendez que l'appareil soit à la température ambiante.
3. Utilisez une brosse douce pour enlever la poussière accumulée sur les composants externes.
4. Essuyez l'extérieur des modules LED avec un chiffon doux non pelucheux imbibé d'une solution d'eau et de détergent. Appliquez uniquement par pressions légères.
5. Assurez-vous que toutes les connexions soient bien sèches avant de rebrancher les câbles d'alimentation et de signal.



Assurez-vous de bien sécher toutes les surfaces externes après les avoir nettoyé.

Renvois

Vous devez nous retourner l'appareil ainsi que tous ses accessoires en port prépayé, dans sa boîte et avec son emballage d'origine. CHAUVET ne délivre pas d'étiquette de renvoi.

Téléphonez à Chauvet et demandez un numéro d'autorisation de retour (NAR) avant de nous réexpédier l'appareil. Pour l'obtenir, il vous sera demandé de fournir le numéro du modèle, le numéro de série ainsi qu'une brève description de l'objet du retour.

Pour pouvoir présenter une demande de service en ligne, visitez www.chauvetprofessional.com/service-request.

Indiquez lisiblement le NAR sur une étiquette apposée sur le colis. Chauvet refusera la réception de tout appareil pour lequel aucun NAR n'a été demandé.



N'écrivez PAS le NAR directement sur le colis. Écrivez le plutôt sur une étiquette apposée de manière appropriée.

Lorsque vous avez reçu le NAR, inscrivez les informations qui suivent sur une feuille de papier que vous placerez à l'intérieur du colis:

- Votre nom
- Votre adresse
- Votre numéro de téléphone
- Le NAR
- Une courte description du ou des problèmes

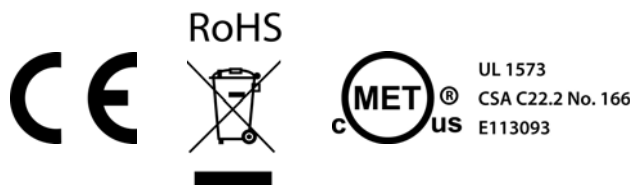
Veillez à emballer l'appareil de manière adéquate. Le client sera tenu responsable de tout dommage survenant lors de l'expédition de retour et causée par un emballage inapproprié. Nous vous recommandons d'utiliser un emballage double ou celui de FedEx.



CHAUVET se réserve le droit, à sa convenance, de réparer ou remplacer tout appareil qui lui est retourné.

12. Spécifications techniques

Source lumineuse	LED RGB SMD 2121 tricolore
Pixels par panneau	128 x 256 (32 768 au total)
Pas de pixel (entre les LEDs)	3,9 mm
Densité de pixel	65 536/m ²
Taux de rafraîchissement d'affichage	3 840 Hz
Angle de vision	140°
Puissance d'éclairage	1 500 NITS
Maximum Illuminance	TBD NITS
Longueur d'onde rouge	619 à 624 nm
Longueur d'onde vert	522 à 525 nm
Longueur d'onde bleu	468 à 471 nm
Type d'alimentation	Commutation
Plage de tension CA	Entre 100 et 240 VCA, 50/60 Hz
Sélection de tension	Universelle
Consommation électrique à 120 V, 60 Hz	263 W, 2,18 A
Consommation électrique à 208 V, 60 Hz	265 W, 1,28 A
Consommation électrique à 230 V, 50 Hz	269 W, 1,16 A
Chaînage électrique à 120 V, 60 Hz	8 unités
Chaînage électrique à 208 V, 60 Hz	14 unités
Chaînage électrique à 230 V, 50 Hz	15 unités
Dimensions	19,69 x 3,5 x 39,37 in (500 x 89 x 1000 mm)
Poids	28,6 lb (13 kg)
Transparence	0%
Matériau du boîtier	Magnésium coulé sous pression
Branchement électrique	Seetronic Powerkon [®]
Connexion de données	Seetronic Etherkon [®]
Nom de l'appareil (Pack de 4 avec valise de transport)	F3X4
Nom de l'appareil (Pack de 1)	F3X1
Code de l'article (Pack de 4 avec valise de transport)	23091316
Code de l'article (Pack de 1)	23111317
Code UPC (Pack de 4 avec valise de transport)	781462216641
Code UPC (Pack de 1)	781462216658



Nous Contacter

SIÈGE MONDIAL	
Informations générales	Support technique
Adresse: 5200 NW 108th Ave. Sunrise, FL 33351 Téléphone: (954) 577-4455 Fax: (954) 929-5560 Numéro vert: (800) 762-1084	Téléphone: (844) 393-7575 Fax: (954) 756-8015 Courriel: chauvetcs@chauvetlighting.com
	Site Internet www.chauvetlighting.com
EUROPE	
Informations générales	Support technique
Adresse: Stokstraat 18 9770 Kruishoutem Belgium Téléphone: +32 9 388 93 97	Courriel: eutech@chauvetlighting.eu
	Site Internet www.chauvetlighting.eu
Informations générales	Support technique
Adresse: Unit 1C Brookhill Road Industrial Estate Pinxton, Nottingham, UK NG16 6NT Téléphone: +44 (0) 1773 511115 Fax: +44 (0) 1773 511110	Courriel: uktech@chauvetlighting.com
	Site Internet www.chauvetlighting.co.uk
MEXICO	
Informations générales	Support technique
Adresse: Av. de las Partidas 34 - 3B (Entrée par la Calle 2) Zona Industrial Lerma Lerma, Edo. de México, CP 52000 Téléphone: +52 (728) 690-2010	Courriel: servicio@chauvet.com.mx
	Site Internet www.chauvet.com.mx

Visitez le site Internet ci-dessus qui vous concerne pour vérifier nos coordonnées et les instructions pour demander de l'assistance. En dehors des États-Unis, du Royaume-Uni, de l'Irlande, du Mexique ou du Benelux, veuillez contacter votre revendeur.

Opmerkingen bij deze editie

De F3 gebruikershandleiding bevat een beschrijving, veiligheidsmaatregelen, installatie-, programmering-, bediening-, en onderhoud instructies voor de F3 vanaf de uitgiftedatum van deze editie.

Handelsmerken

CHAUVET, het Chauvet-logo en F3 zijn geregistreerde handelsmerken of handelsmerken van Chauvet & Sons LLC (d/b/a Chauvet en Chauvet Lighting) in de Verenigde Staten en andere landen. Hierin genoemde andere bedrijfs- en productnamen en logo's kunnen handelsmerken zijn van hun betreffende bedrijven.

Auteursrechtvermelding

De auteursrechtelijk beschermde werken in deze handleiding, waaronder, maar niet beperkt tot, alle ontwerpen, teksten en afbeeldingen, zijn eigendom van Chauvet.

© **Copyright 2017 Chauvet & Sons, LLC. Alle rechten voorbehouden.**

Elektronisch uitgegeven door Chauvet in de Verenigde Staten van Amerika.

Gebruik van de handleiding

Chauvet geen zijn klanten alleen de bevoegdheid om deze handleiding te downloaden en af te drukken voor professionele informatiedoeleinden. Chauvet verbiedt uitdrukkelijk het gebruik, kopiëren, opslaan, distribueren, wijzigen of het drukken van deze handleiding of de inhoud daarvan voor andere doeleinden, zonder schriftelijke toestemming van Chauvet.

Afdrukken van het document

Voor betere resultaten moeten deze documenten in kleur, dubbelzijdig op briefpapier afgedrukt worden. Als u A4-papier (210 x 297 mm) gebruikt moet u uw printer configureren om de content overeenkomstig op te schalen.

Beoogd publiek

Iedereen die de leiding heeft over de installatie, het gebruik en/of het onderhoud van dit product moet de gids bij het product, net zoals deze handleiding, volledig doorlezen vóór installatie, gebruik of onderhoud van het product.

Disclaimer

Chauvet gelooft dat de informatie in deze handleiding in alle aspecten accuraat is. Chauvet aanvaardt echter geen verantwoordelijkheid en wijst alle aansprakelijkheid af jegens enige partij voor enig verlies, schade of storingen die worden veroorzaakt door fouten of omissies in dit document, ongeacht of dergelijke fouten of omissies het gevolg zijn van nalatigheid, een ongeval of enige andere oorzaak. Chauvet behoudt zich het recht voor om de inhoud van dit document te wijzigen zonder enige verplichting om enig persoon of bedrijf van een dergelijke herziening te op de hoogte te stellen. Chauvet is echter niet verplicht dergelijke herzieningen te maken.

Herziening van het document

Dit F3 gebruikershandleiding is de 2^e editie van dit document. Ga naar www.chauvetprofessional.com voor de nieuwste versie.

1. Voordat tu begint

Wat is er inbegrepen

- 4 F3
- 1 Seetronic Powerkon[®] stroomsnoer
- 4 Seetronic Powerkon[®] voedingskoppelingsnoeren
- 4 Seetronic Etherkon[®] signaalkoppelingsnoeren
- Garantiekaart
- Gebruikershandleiding

Claims

Direct na ontvangst van dit product moet u de verpakking voorzichtig uitpakken en controleren. Controleer of u alles hierboven aangegeven onderdelen in goede toestand hebt ontvangen.

Als, na ontvangst, de doos of de inhoud (het product en meegeleverde accessoires) beschadigd lijken te zijn door de verzending of tekenen van ruwe behandeling vertonen, laat dit dan onmiddellijk weten aan de vervoerder en niet aan Chauvet. Als u dit niet tijdig doet, kan uw claim bij de vervoerder verlopen.




Daarnaast moet u de verpakking en al het verpakkingsmateriaal bewaren voor inspectie.

Voor andere problemen, zoals missende componenten of onderdelen, schade die niet is veroorzaakt door de verzending, kunt u binnen 7 dagen na ontvangst van de producten een claim indienen bij Chauvet.

Conventies van deze handleiding

Conventie	Betekenis
1–512	Een waardenbereik in de tekst
50/60	Een set elkaar uitsluitende waarden in de tekst
<SET>	Een toets op het bedieningspaneel van het product
Settings	Een productfunctie of een menuoptie

Symbolen

Symbool	Betekenis
	Kritieke installatie-, configuratie- of bedieningsinformatie. Het niet opvolgen van deze informatie kan ervoor zorgen dat het product niet werkt, schade veroorzaken aan apparatuur van derden of letsel veroorzaken aan de gebruiker.
	Belangrijke installatie- of configuratie-informatie. Het niet opvolgen van deze informatie kan ertoe leiden dat het product niet functioneert.
	Nuttige informatie.

Veiligheidsinstructies

Lees alle volgende veiligheidsvoorschriften voordat u dit product gebruikt. Deze voorschriften bevatten belangrijke informatie over de installatie, het gebruik en het onderhoud van dit product.



Dit product bevat geen onderdelen die door de gebruiker te onderhouden zijn. Een verwijzing naar onderhoud in deze gebruikershandleiding zal alleen van toepassing zijn op voldoende opgeleide gecertificeerde technici. Open nooit de behuizing en probeer geen reparaties uit te voeren.



Alle geldende plaatselijke normen en regelgeving zijn van toepassing voor juiste installatie van dit product.

Persoonlijke veiligheid

- Vermijd directe blootstelling van het oog aan de lichtbron als het product in werking is.
- Ontkoppel dit product vóór het onderhoud altijd eerst van zijn voedingsbron.
- Sluit dit product altijd aan op een geaard circuit om elektrocutierisico's uit te sluiten.
- Raak de behuizing van dit product tijdens gebruik niet aan, omdat het zeer warm kan worden.

Montage

- Dit product is niet bedoeld voor permanente installatie.
- Het product is alleen voor gebruik binnenshuis! Om het risico op brand en schokken te vermijden mag u dit product niet blootstellen aan regen of vocht. (IP31)
- LET OP: Bij het verplaatsen van het product uit extreme omgevingen, (bijv. koude vrachtwagen naar warme, vochtige balzaal) kan er condensvorming optreden op de elektronica van het product. Om storingen te vermijden moet het product volledig kunnen acclimatiseren aan de omgeving voordat het op stroom wordt aangesloten.
- Monteer dit product op een plek met voldoende ventilatie, ten minste 50 cm van de aangrenzende oppervlakken.
- Zorg ervoor dat er geen brandbare materialen in de buurt van dit product zijn wanneer het in werking is.
- Als dit product wordt opgehangen, moet u het altijd met een veiligheidskabel vastmaken aan een bevestigingsmiddel.
- Draag het product nooit aan het stroomsnoer of een bewegend onderdeel.

Stroom en bedrading

- Zorg ervoor dat het stroomsnoer niet knikt of beschadigt.
- Controleer altijd of u dit product koppelt aan de juiste spanning, volgens de specificaties in deze handleiding of op het specificatielabel van het product.
- Om onnodige slijtage te elimineren en zijn levensduur te verlengen, gedurende perioden wanneer het product niet wordt gebruikt, moet u het product van de stroom afsluiten door een aardlekschakelaar om te zetten of door het te ontkoppelen.
- Sluit dit product nooit aan op een dimmer of een regelweerstand.
- Koppel dit product nooit los van het stopcontact door aan het elektriciteits snoer te trekken of te rukken.

Werking

- Gebruik dit product niet als u schade ziet aan de behuizing, lenzen of kabels. Laat de beschadigde onderdelen direct vervangen door een bevoegd monteur.
- Dek de ventilatiesleuven tijdens gebruik niet af om inwendige oververhitting te vermijden.
- De maximale omgevingstemperatuur bedraagt 45 °C. Gebruik dit product niet bij een hogere temperatuur.
- Stop direct met het gebruik van dit product in geval van ernstige gebruiksproblemen!



Als uw Chauvet-product onderhouden moet worden, kunt u contact opnemen met de Technische dienst van Chauvet.

2. Inleiding

Productbeschrijving

De F3 is een LED-videopaneel van 1 meter bij 50 centimeter, dat ideaal is voor zowel de installatie- als verhuurmarkten. Het draait op het draait op het Novastar besturingsprotocol en is aan de voor- en achterzijde volledig te onderhouden met de magnetische LED-modules. Vanwege de onderhoudsoptie aan de voorzijde kan dit product rechtstreeks op een vlakke wand worden gemonteerd.

Eigenschappen

- Het videopaneel met pitch van 3,9 mm werkt met de VIP Drive 43Nova, met behulp van het Novastar-besturingsprotocol
- Zwarte led's zorgen voor een videokwaliteit met een hoog contrast
- 1.000 x 500 mm gegoten magnesiumbehuizing maakt dit product tot de lichtste in zijn klasse
- Magnetische LED-modules en de modulaire schakelkast maken onderhoud snel en gemakkelijk
- Volledige service aan de voor- en achterzijde maximaliseert installatie en onderhoud
- Het modulaire systeem zorgt voor frontmontage op een vlakke structuur, wat de montageflexibiliteit verhoogt
- De magnetische koppeling en positioneringspennen helpen bij het ophangen van de panelen
- Dubbele backupvoeding zorgt voor een stabielere weergave
- Intelligente modules met apart geheugen verbeteren de beeldkwaliteit en vereenvoudigen het onderhoud
- Vervang de led-maskers eenvoudig en zonder gereedschap, zodat uw scherm vlak blijft, zelfs na verkeerde behandeling

Extra producten

- VIP Drive 43Nova (vereist)

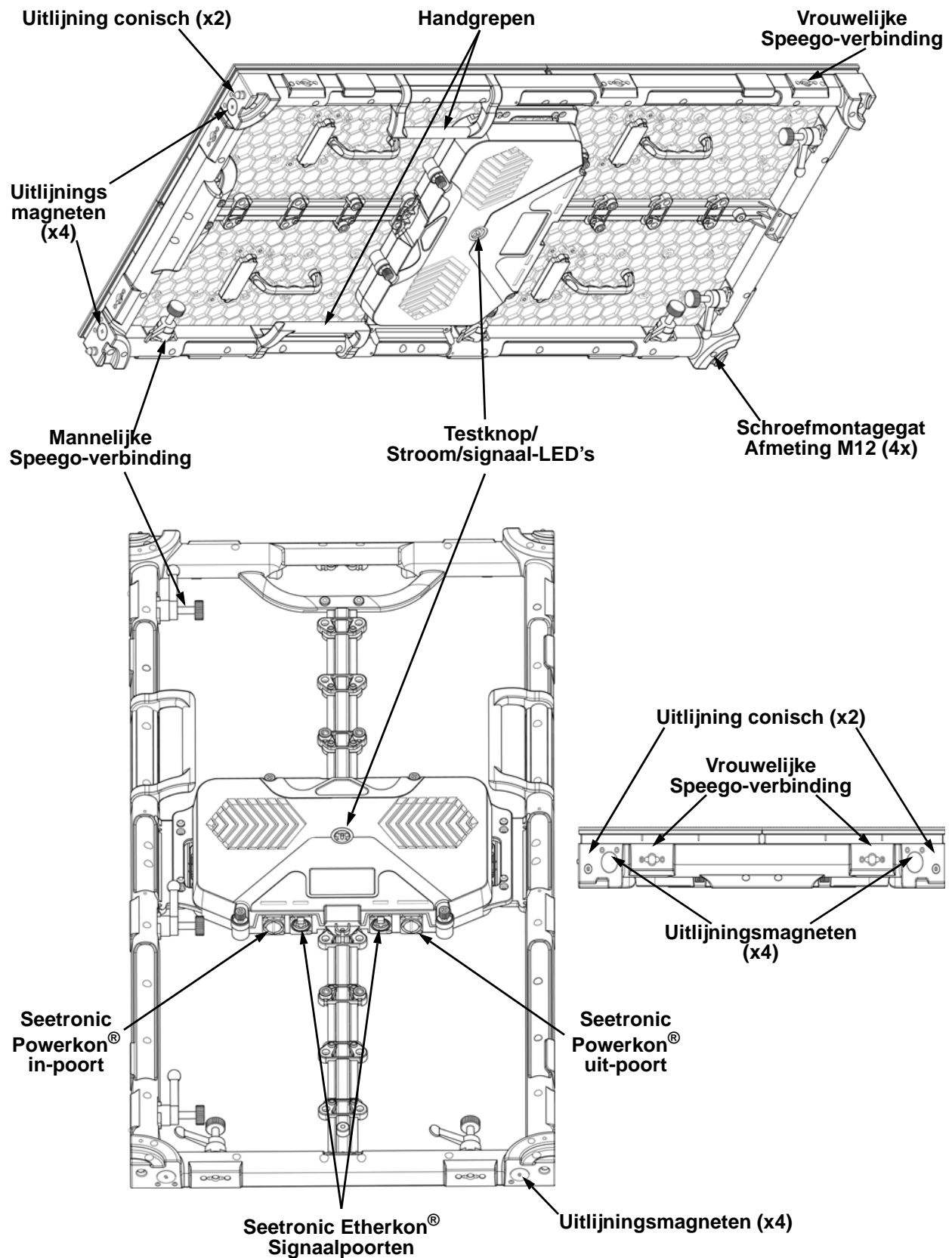
Optionele accessoires

- VIP Media Server
- ArKaos Media Master Express + KN software
- MT-03 LED-module verwijdergereedschap
- F-Serie Rig Bar (RB-F50CM, RB F100CM)

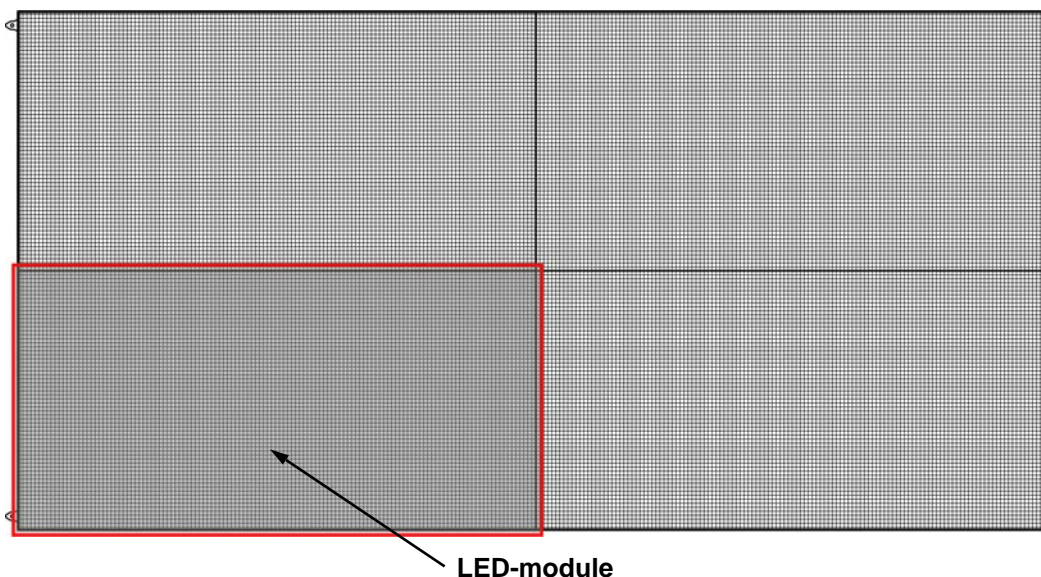
Beschikbare signaal- en voedingskabels

- Signaalkabels (Neutrik® etherCON® CAT6 signaalverlengingen)
 - ETHERCONEXT18IN
 - ETHERCONEXT5FT
 - ETHERCONEXT10FT
 - ETHERCONEXT25FT
 - ETHERCONEXT50FT
- Voedingskabels (Neutrik® powerCON® verlengsnoeren)
 - POWERCONEXT18IN
 - POWERCONEXT5FT
 - POWERCONEXT10FT
 - POWERCONEXT25FT
 - POWERCONEXT50FT

Productoverzicht



Pixels per paneel



Elke pixel is 1 driekleurige LED. De volgende tabel geeft het aantal pixels per paneel in elke F3. Raadpleeg voor uitgebreide specificaties de [Technische specificaties](#) tabel aan het einde van deze gebruikershandleiding.

Parameter	F3
Pixels per paneel	128 x 256
Totaal aantal pixels per paneel	32.768
Pixels per LED-module	64 x 128
Totaal pixels per LED-module	8.192
Afmetingen van de LED-module	250 x 500 mm

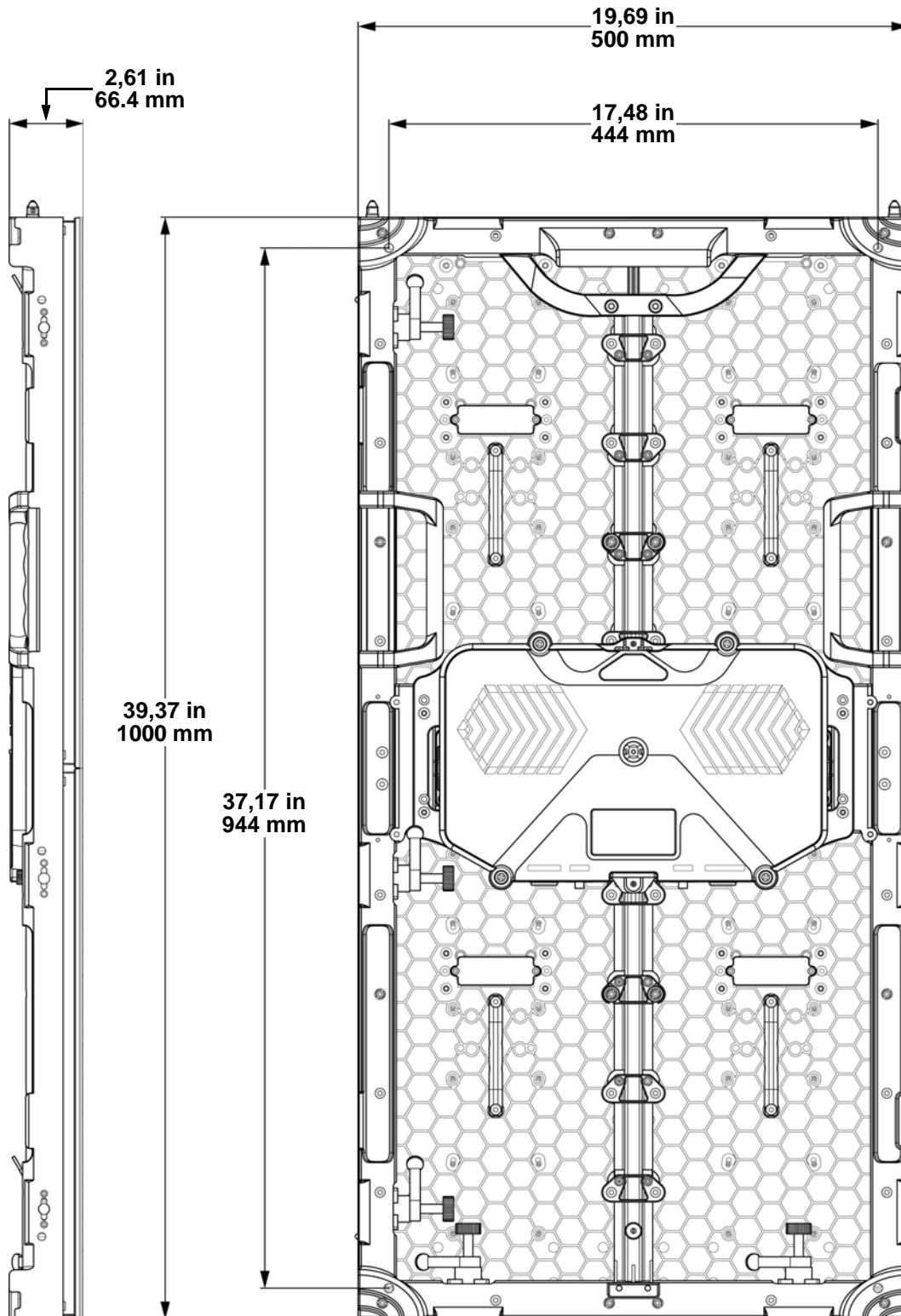
Voor het berekenen van het aantal panelen, zowel horizontaal als verticaal, dat wordt ondersteund door een enkele VIP Drive 43Nova, gebruikt u:

- Het aantal pixels per paneel.
- De schermresolutie die u voor uw videowanddisplay wilt gebruiken.



De VIP Drive 43Nova kan alleen werken met een F3-videowandsysteem. Verderop in deze handleiding staan diagrammen voor de aansluiting van de F3-panelen en de VIP Drive 43Nova. Voor uitgebreide informatie over de VIP Drive 43Nova en paneelberekeningsvoorbeelden raadpleegt u de VIP Drive 43Nova beknopte referentiegid.

Afmetingen van het product



3. Instelling

AC-stroom

Elke F3 heeft een voeding met automatisch bereik die werkt met een ingangsspanning van 100–240 VAC, 50/60 Hz. Om de vermogensvraag van elke F3 vast te stellen, raadpleegt u het etiket dat aan het product is bevestigd. U kunt ook de kaart [Technische specificaties](#) in deze handleiding raadplegen.

Het gemelde spanningsvermogen geeft het maximale stroomverbruik aan gedurende normale werking. Voor meer informatie kunt u Maten aardlekschakelaars downloaden van de website van Chauvet: www.chauvetprofessional.com.



- Sluit dit product altijd aan op een beveiligd circuit met elektrische aarding om het risico op elektrocutie of brand uit te sluiten.
- Om onnodige slijtage te elimineren en zijn levensduur te verlengen, gedurende perioden wanneer het product niet wordt gebruikt, moet u het product van de stroom afsluiten door een aardlekschakelaar om te zetten of door het te ontkoppelen.



Sluit dit product nooit aan op een regelweerstand (variabele weerstand) of dimmercircuit, zelfs als het regelweerstand- of dimmerkanaal alleen als een 0 tot 100%-schakelaar dient.

AC-stekker

Elke F3 wordt geleverd met een power linking-snoer om stroom aan te sluiten tussen panelen en een stroomingangssnoer.

Deze kabel heeft een Seetronic Powerkon[®]-stekker voor aansluiting van de F3 en een Edison-stekker voor voeding. Gebruik onderstaande tabel als een referentiediagram voor de bedrading van een nieuwe stekker.

Aansluiting	Snoer (VS)	Snoer (Europa)	Schroefkleur
AC Live	Zwart	Bruin	Geel of messing
AC Neutraal	Wit	Blauw	Zilver
AC Aarde	Groen/geel	Groen/geel	Groen

Power Linking

Alle F3-panelen ondersteunen power linking. Raadpleeg de volgende tabel voor specificaties over elk paneel.

Spanning	F3-producten
@ 120 V, 60 Hz	8
@ 208 V, 60 Hz	14
@ 230 V, 50 Hz	15



Raadpleeg alle geldende plaatselijke normen en regelgeving voor de juiste installatie van dit product.

4. Montage

Oriëntatie

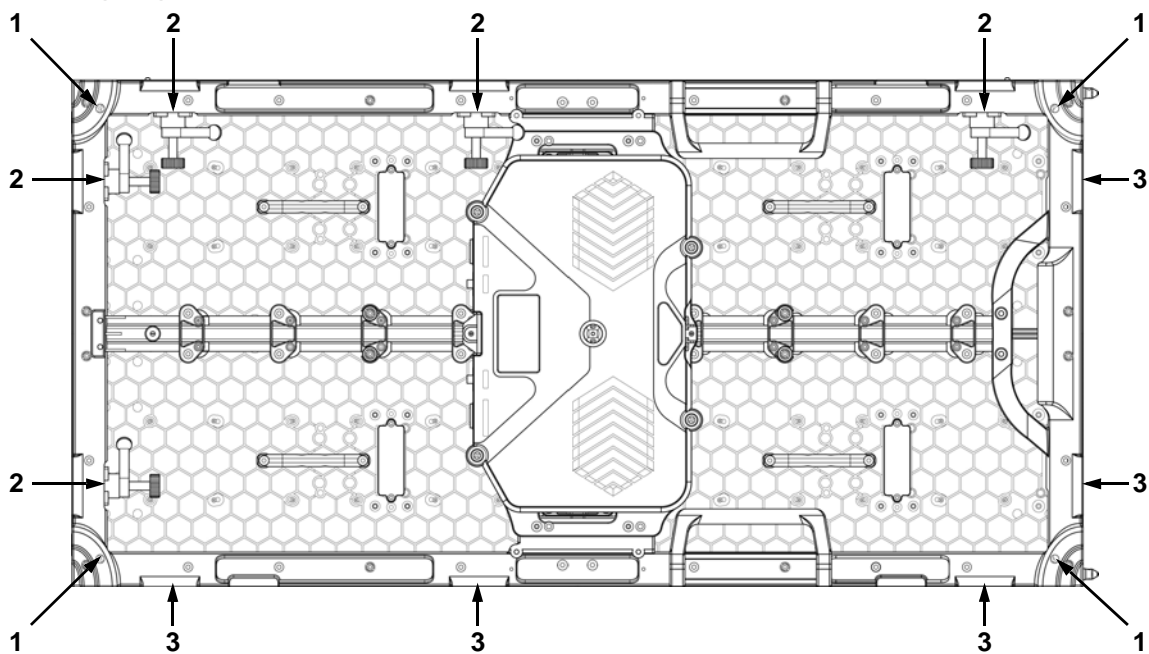
Elke F3 is vervaardigd van gegoten magnesium. Dit zorgt ervoor dat elk paneel stabiel is en eenvoudig te plaatsen. Elk paneel heeft ook een handige ingebouwde hendel die zich op de bovenzijde, achterop het paneel bevindt, met een uitlijningsnippel bovenop. Met deze combinatie kunt u elk paneel eenvoudig oppakken en vasthouden terwijl u de panelen monteert en ermee werkt.

De F3 kan worden samengesteld tot verschillende modulaire ontwerpen. De panelen bovenaan kunnen hangen aan een spant of een ander stabiel oppervlak. Hang het altijd in een veilige positie met voldoende ruimte voor ventilatie, configuratie en onderhoud.

Chauvet raadt hieronder de volgende algemene richtlijnen aan.

- Bij het kiezen van een plaatsingslocatie moet u rekening houden met eenvoudige toegang voor bediening en routine-onderhoud.
- Uit de buurt van ontvlambaar materiaal hangen, zoals ook is aangegeven in de sectie [Veiligheidsinstructies](#).
- Nooit monteren op plekken waar regen, extreme temperatuurwisselingen of beperkte ventilatie dit product kunnen beïnvloeden.
- Controleer of de constructie en de bevestigingspunten waaraan u de panelen hangt het gewicht kan dragen.
- Controleer of alle gebruikte dragende apparatuur het gewicht kan dragen.
- Zie de [Technische specificaties](#) voor de gewichtsvereiste van elke F3.

Bevestigingspunten



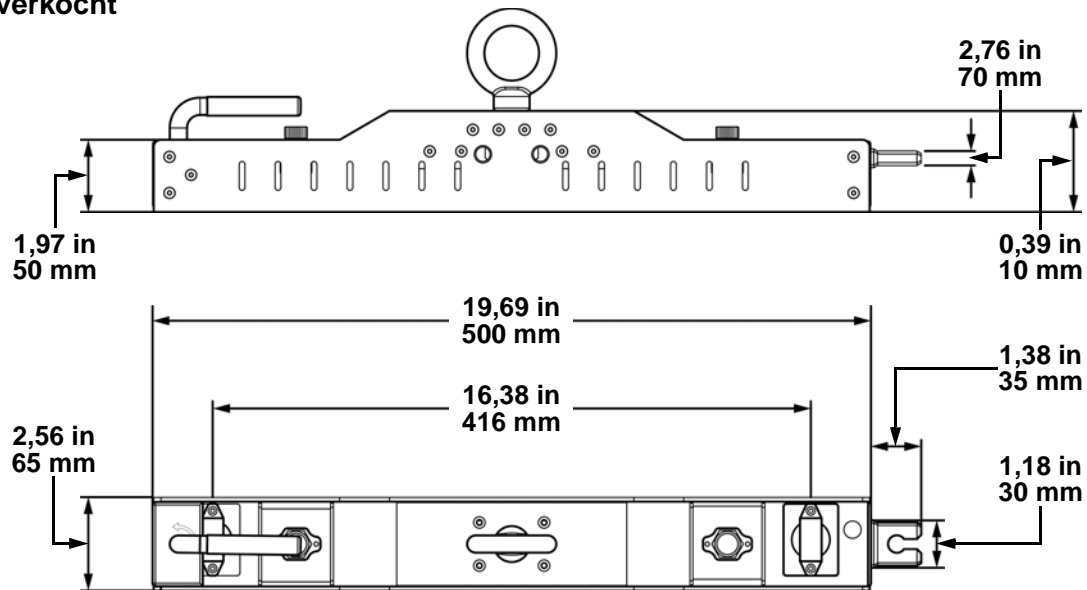
1. Schroefmontage
Gatmaat M12 (4x)

2. Mannelijke
Speego-Aansluiting

3. Vrouwelijke
Speego-Aansluiting

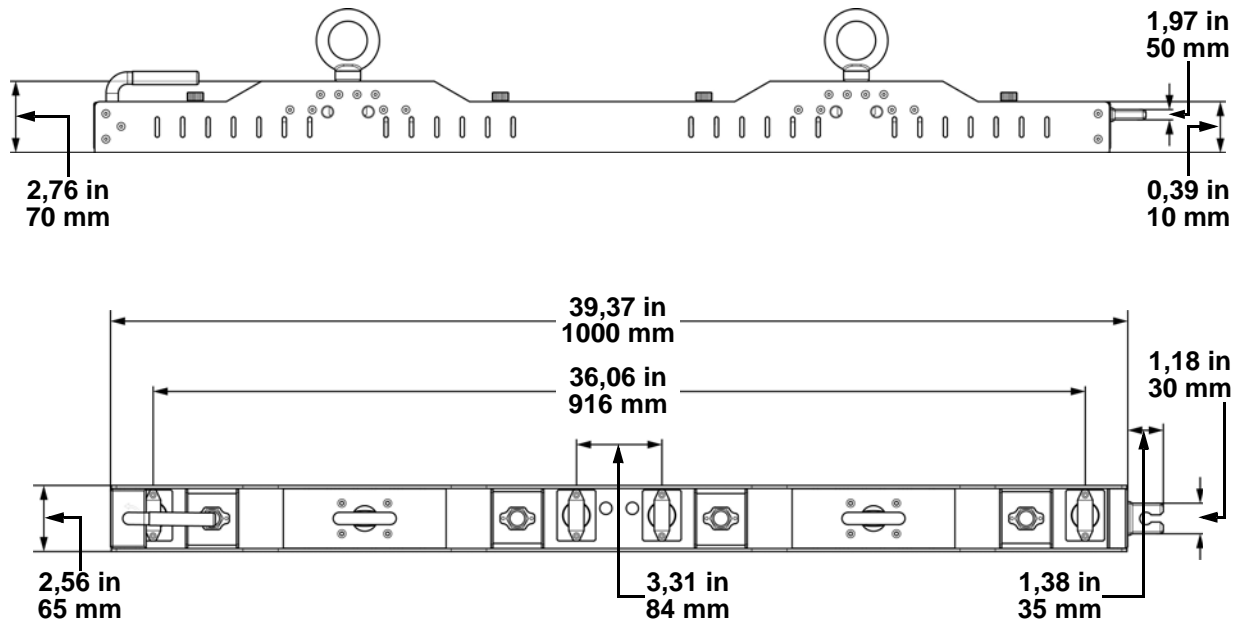
RB-F50CM Rig Bar-afmetingen

Apart verkocht

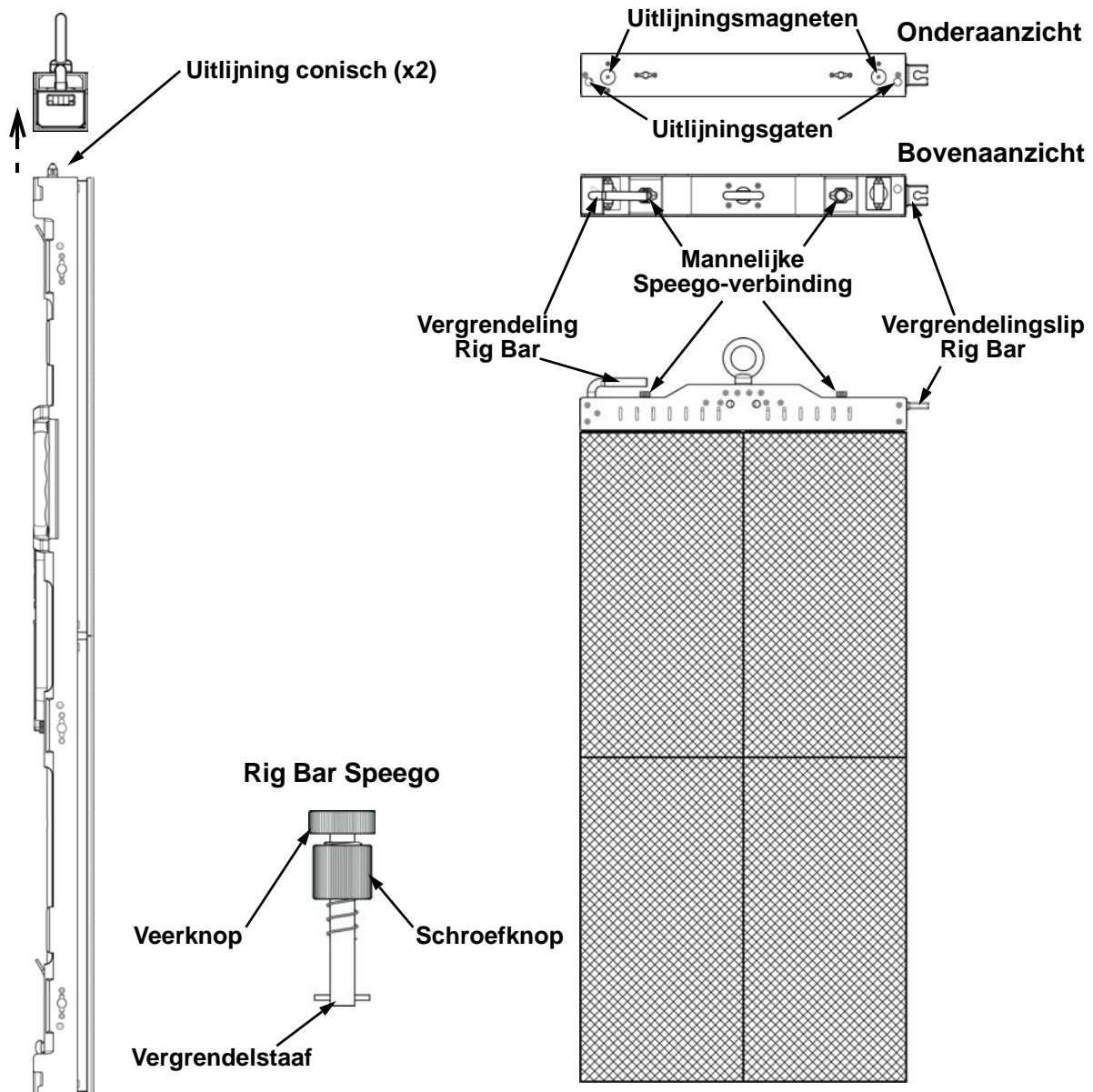


RB-F100CM Rig Bar-afmetingen

Apart verkocht



Montage van de Rig Bar/het paneel



1. Steek de conische uitlijningspunten in een uitlijningsgaten en laat de magneten koppelen.
2. Plaats de Speego-vergrendelingsstaven van de Rig Bar in de vrouwelijke Speego-aansluitingen op de F3.
3. Draai de veerknop op de Rig Bar Speego met 90° totdat het vastklikt.
4. Draai de schroefknop met de klok mee totdat de F3 vastzit aan de Rig Bar.
5. Om de Rig Bar te ontkoppelen van de F3 draait u de vorige stappen om.

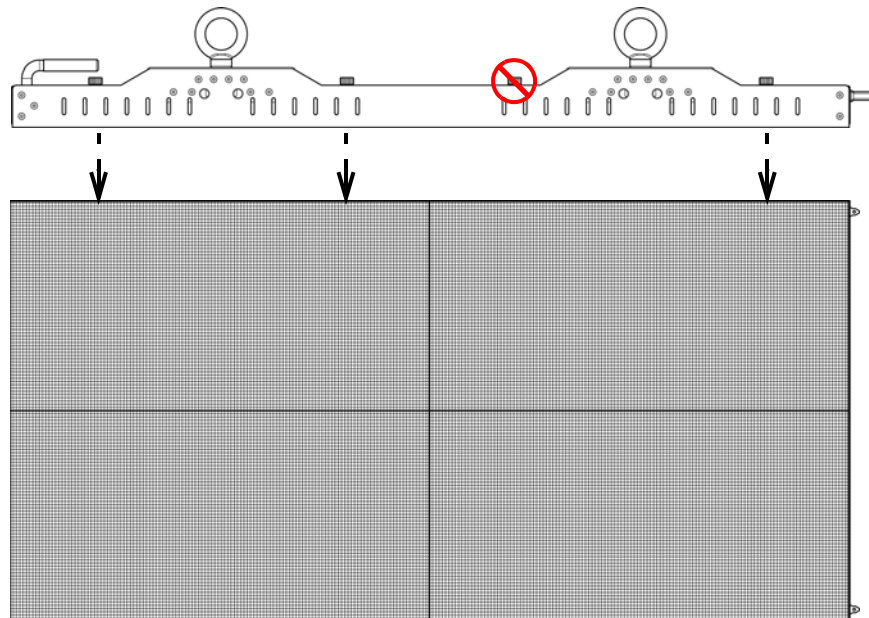


- De uitlijningsmagneten op de F3 en F-serie Rig Bar zijn ontworpen om het gewicht van het paneel tijdelijk te houden, zodat de gebruiker het paneel kan uitlijnen en vastmaken.
- Elke zijde van de F3 met vrouwelijke Speego-verbindingen is te bevestigen aan de F-serie Rig Bar, maar alleen de korte zijde heeft conische uitlijningspunten en magneten. Bij het bevestigen van de lange zijde van de F3 aan de Rig Bar moet u erop letten dat de pixels over de videomontage goed zijn uitgelijnd.



Waarschuwing! De magnetische bevestigingen zijn niet-dragend en zijn alleen bedoeld voor uitlijningshulp. Laat het paneel pas los als de hangende apparatuur volledig vastzit.

Alternatieve montage van de Rig Bar/het paneel



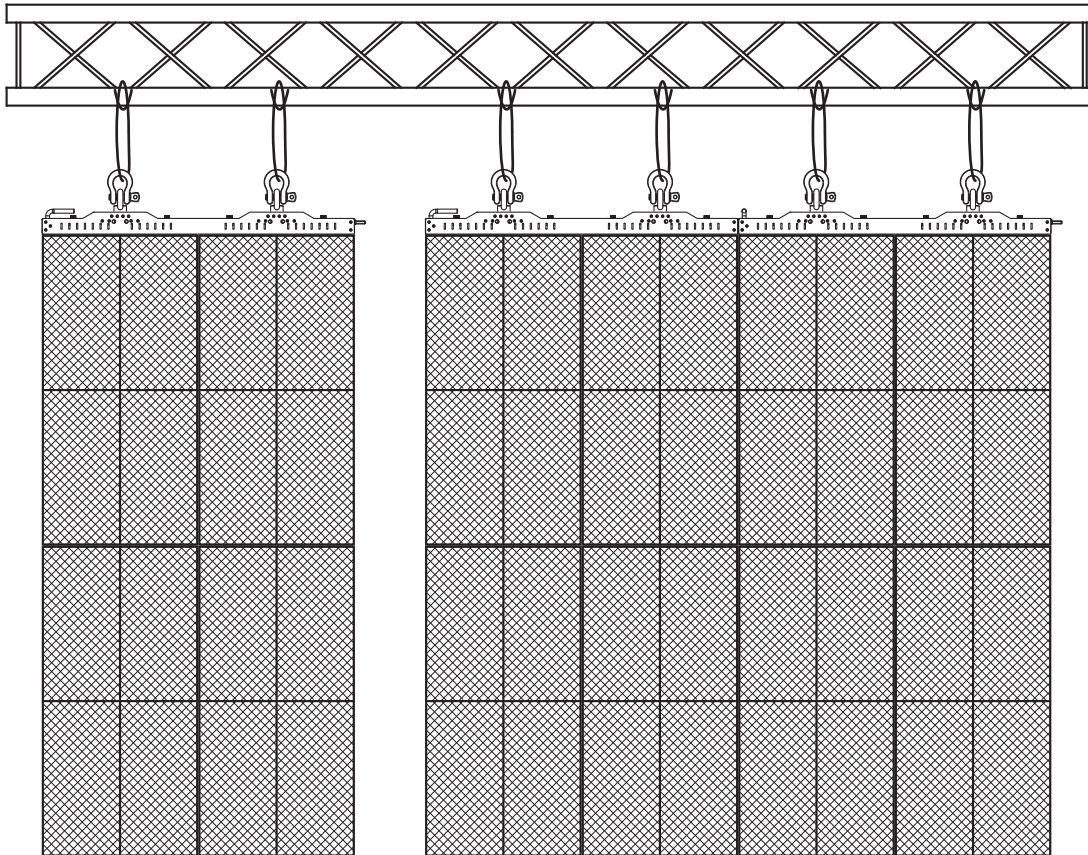
Met de RB-F100CM opbouw balk kan de F3 horizontaal worden gemonteerd. Volg dezelfde instructies als bij de [Montage van de Rig Bar/het paneel](#), maar wees extra voorzichtig, aangezien de lange zijde van het product geen conische uitlijningspunten of magneten bevat.

Bij horizontale montage op de RB-F100CM worden geen Rig Bar Speegos gebruikt.

Spantinstallatie

Raadpleeg het volgende diagram voor spantinstallatie. Chauvet biedt de F-Serie Rig Bar aan (apart verkocht), die specifiek is ontworpen voor het ophangen van de panelen.

Bevestiging aan een spant met de optionele F-Serie Rig Bar



De M12 en M10-montagepunten zijn niet bedoeld voor ophanging vanaf een spant of een andere hoge constructie.

Om de panelen aan een spant of andere hoge constructie te hangen, moet u gebruikmaken van de F-serie Rig Bars (RB-F50CM of -F100CM, apart verkrijgbaar).



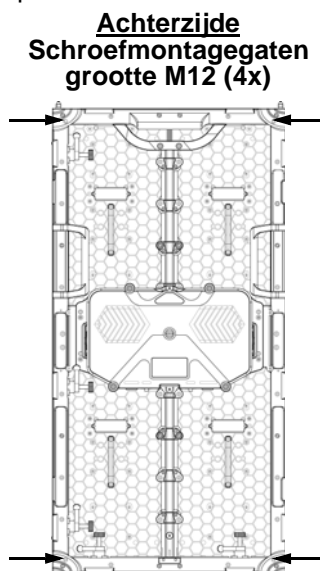
De hierboven getoond illustraties zijn slechts voorbeelden. Raadpleeg alle geldende plaatselijke normen en regelgeving voor de juiste installatie van het product.

Installatie op een vlakke wand

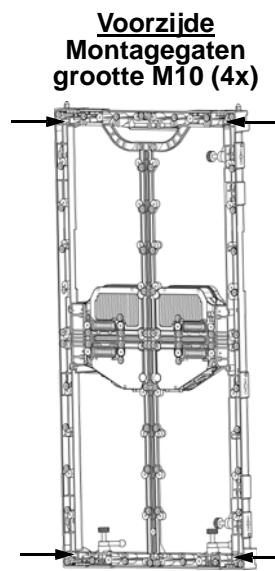
Raadpleeg het volgende diagram voor installatie op een vlakke wand.



Er moet ten minste 1 montagepunt voor elke kruising (boven omcirkeld) worden vastgezet, inclusief buitenranden en hoeken



Er moeten M12-bouten worden gebruikt voor montage-toepassingen op de achterzijde



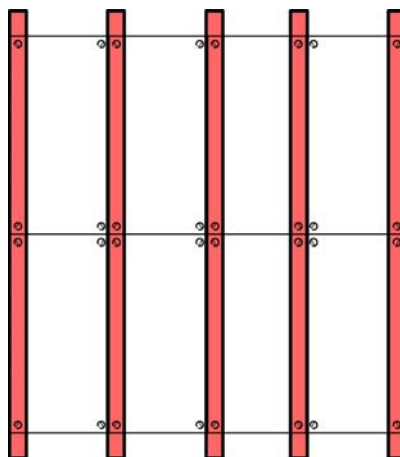
SAE 3/8 of M10-bouten zijn compatibel voor montage-toepassingen op de voorzijde



De 4 montagegaten op de voorzijde zijn bedoeld voor vlakke montage-installatie op een plat oppervlak tegen de videopanelen. Er moet 1 montagepunt worden gebruikt voor elke kruising, inclusief buitenranden en hoeken en de structurele integriteit te behouden. De montagepunten zijn niet bedoeld voor ophanging vanaf een spant of een andere hoge constructie.

Chauvet raadt aan om een VERTICALE stalen spant te gebruiken voor elke zuil met panelen, plus 1, zoals in het volgende diagram:

4 zuilen + 1 =
5 stalen spanten

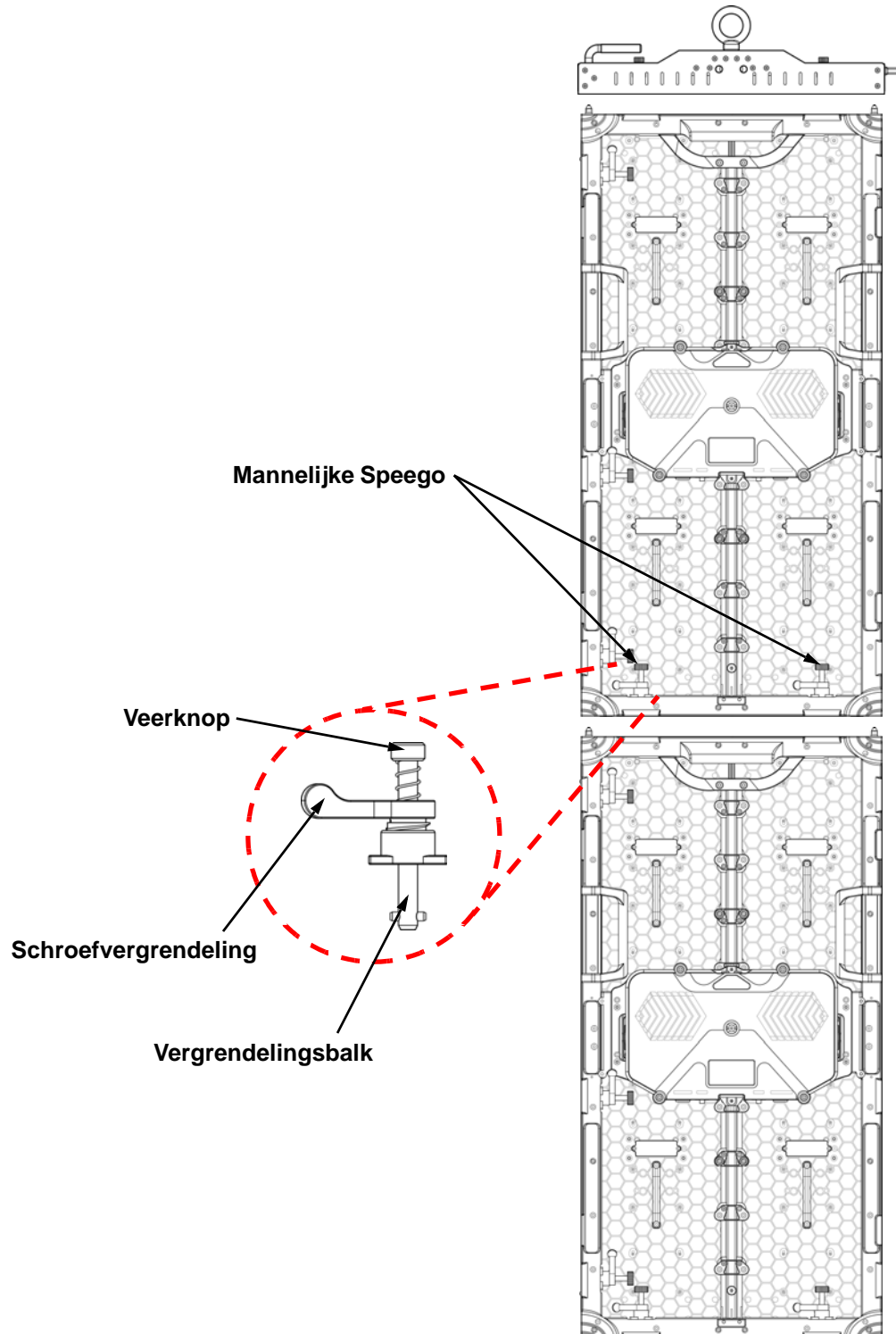


De hierboven getoond illustraties zijn slechts voorbeelden. Raadpleeg alle geldende plaatselijke normen en regelgeving voor de juiste installatie van het product.

5. Samenvoegen van elke F3 (Creëren van een modulair ontwerp)

Verticaal samenvoegen van de panelen

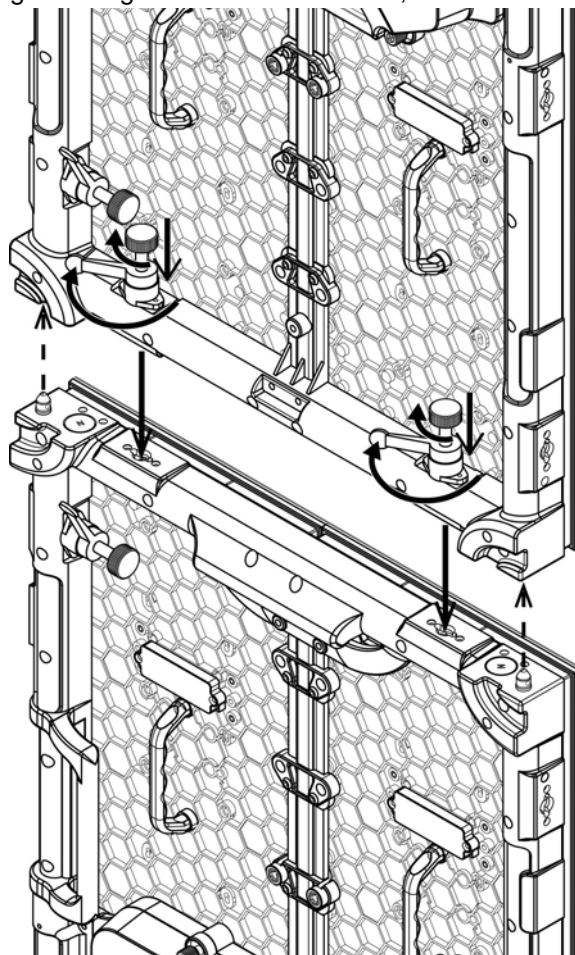
Elke F3 kan eenvoudig verticaal aan een spant worden samengevoegd met een optionele opbouw balk en de 2 vrouwelijke speego-aansluitingen in de bovenhoek van elk paneel. Gebruik de mannelijke Speego-aansluitingen onderaan elk paneel om extra panelen aan te sluiten. Deze aansluitingen blijven verzonken als ze niet gebruikt worden.



Verticale paneelverbinding

Gebruik de volgende instructies om de panelen verticaal samen te voegen:

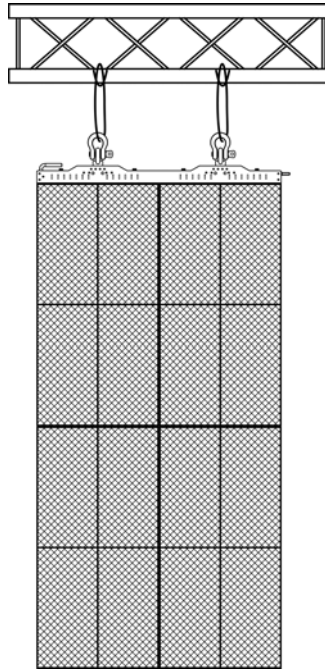
1. Lijn de conische uitlijningspunten bovenaan elk paneel en de uitlijningsmagneten boven- en onderaan elk paneel uit.
2. Duw de mannelijke Speego-aansluitingen in de vrouwelijke Speego-aansluitingen.
3. Draai de veerknoppen 90° met de klok mee.
4. Draai de schroefvergrendeling 180° met de klok mee, totdat ze vast zitten.



Waarschuwing! De magnetische bevestigingen zijn niet-dragend en zijn alleen bedoeld voor uitlijningshulp. Laat het paneel pas los als de hangende apparatuur volledig vastzit.

Horizontaal samenvoegen van de panelen

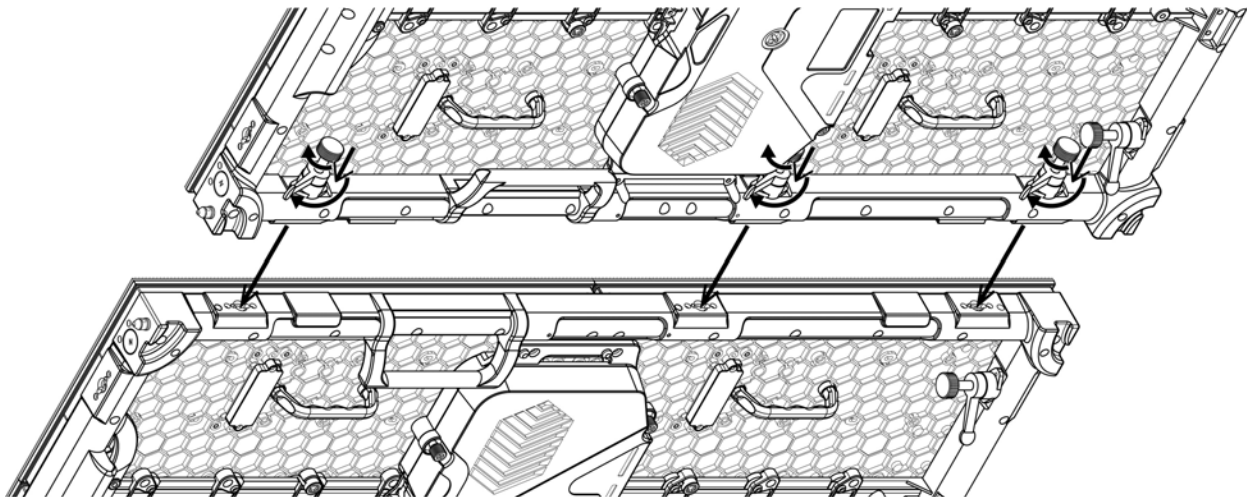
Elke F3 kan eenvoudig horizontaal worden samengevoegd met de Speego-verbindingen op de binnenste, bovenste en onderste linkerzijden van elk paneel.



Horizontale paneelverbinding

Gebruik de volgende instructies om de panelen horizontaal samen te voegen:

1. Lijn elk van de mannelijk Speego-aansluitingen van het paneel uit met de overeenkomende vrouwelijke aansluitingen op de panelen die toegevoegd worden.
2. Duw de mannelijke Speego-aansluitingen in de vrouwelijke Speego-aansluitingen.
3. Draai de veerknoppen 90° met de klok mee.
4. Draai de schroefvergrendeling 180° met de klok mee, totdat ze vast zitten.



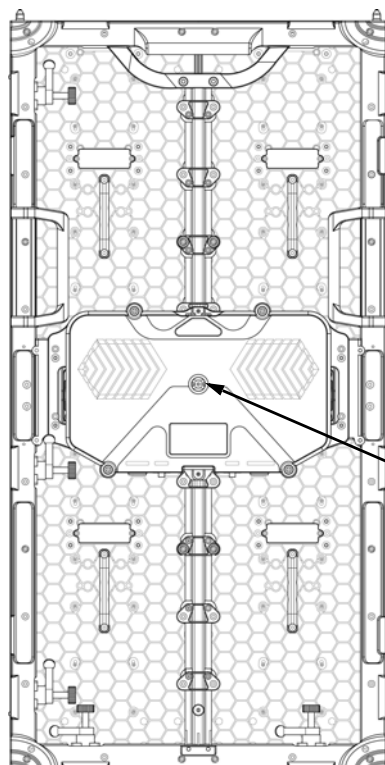
6. Verbinden (bekabelen) van elke F3

Testen van signaal- en stroomaansluitingen

Elke F3 heeft 2 stopcontacten en 2 signaalpoorten.

- De stroom- en signaalaansluitingen bevinden zich op de onderzijde van de onderhoudsmodule van elk paneel.
- De signaalpoorten zijn onderling verwisselbaar te gebruiken.
- Elke F3 heeft LED-lampjes op de testknop in het midden van het paneel.
- Elk paneel geeft een succesvolle stroomaansluiting aan wanneer het stroomlampje rood blijft.
- Elk paneel geeft de aanwezigheid van een signaal aan wanneer het LED-lampje voor het signaal snel groen knippert. Wanneer het LED-lampje langzaam groen knippert, is er geen signaal.

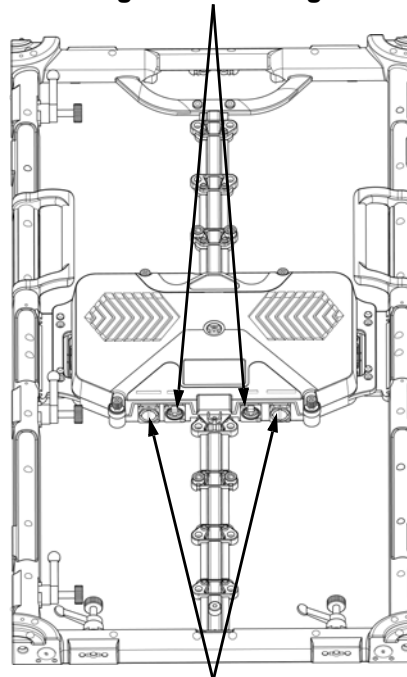
Achterpaneelaanzicht



Testknop/
stroom/
signaal-LED's

**Aanzicht van de onderzijde
van de onderhoudstoegang**

Signaalverbindingen



Stroomingang/uitgang

Gebruik van de testknop van de F3

Elke F3 heeft ook een testknop die wordt gebruikt om te controleren of alle LED's werken. Gebruik de testknop op elk paneel om een zelftest uit te voeren. Bij het zelftesten moet u de test individueel voor elke F3 uitvoeren. U hoeft geen verbinding te maken met een signaal of software te gebruiken.



Bij het gebruiken van de testknop moet u controleren of de F3 NIET is verbonden met de VIP Drive 43Nova.

Om de testknop te gebruiken moet u de stroom aansluiten, maar mag u nog niet de signaalkabels aansluiten. Druk op de testknop om door de verschillende weergaveconfiguraties van de LED-lamp te schakelen.

Aansluiten van stroom- en signaalkabels

De volgende onderdelen leveren informatie en diagrammen over het verbinden van signalen en stromen tussen panelen.

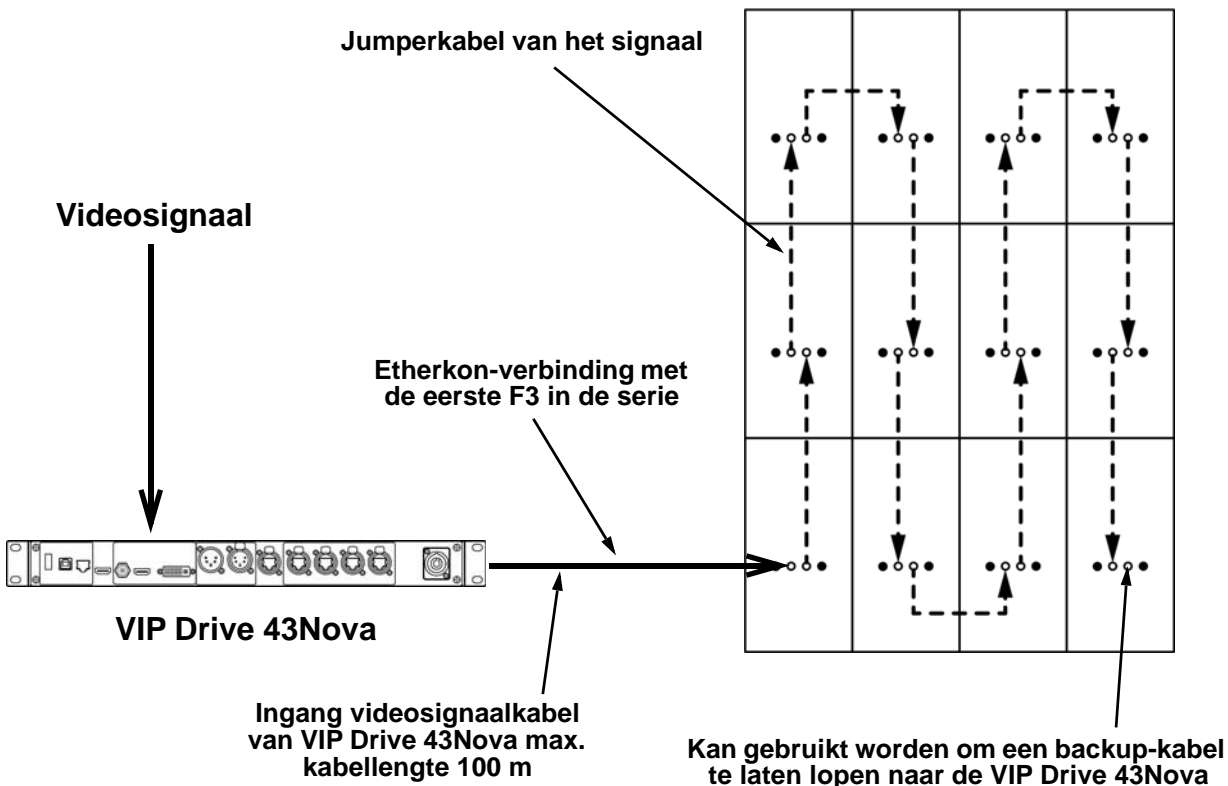
Raadpleeg de onderdelen [Inleiding](#) of [Werking](#) in deze gebruikershandleiding voor beschikbare kabels en artikelnummers.

Het signaal aansluiten tussen de samengevoegde panelen

Paneelaansluitingen van de signaalkabel kunnen verschillende configuraties gebruiken. De basisconfiguratie voor het verbinden van het signaal van het ene paneel tot het volgende is als volgt.

1. Het bronsignaal is verbonden aan het eerste paneel.
2. Daarna wordt een signaalkabel aangesloten vanaf het eerste paneel.
3. De aansluitingen blijven in serie verbonden totdat alle panelen zijn verbonden.
4. De route die wordt gebruikt om de signaalverbindingen te maken kan verschillen.

Het volgende diagram is een aanbevolen suggestie voor eenvoudige signaalkoppelingen tussen panelen.



Verbinden (bekabelen) van elke F3

Het vermogen aansluiten tussen de samengevoegde panelen

Paneelaansluitingen van de vermogenskabel gebruiken ook verschillende configuraties. De basisconfiguratie voor het verbinden van netvoeding van het ene paneel tot het volgende is als volgt:

1. De netvoeding is verbonden met de vermogensingang of -uitgang van het eerste paneel.
2. Daarna wordt een stroomkabel verbonden met de vermogensuitgang van het eerste paneel en verbonden met de vermogensingang van het volgende paneel.
3. De aansluitingen blijven doorgaan totdat alle panelen zijn verbonden.

Verbind de stroom tussen de panelen met dezelfde procedure als het signaal, alleen nu met de vermogensingang- en vermogensuitgangaansluitingen. U moet zich houden aan de power-linking specificaties voor elk F3-model.

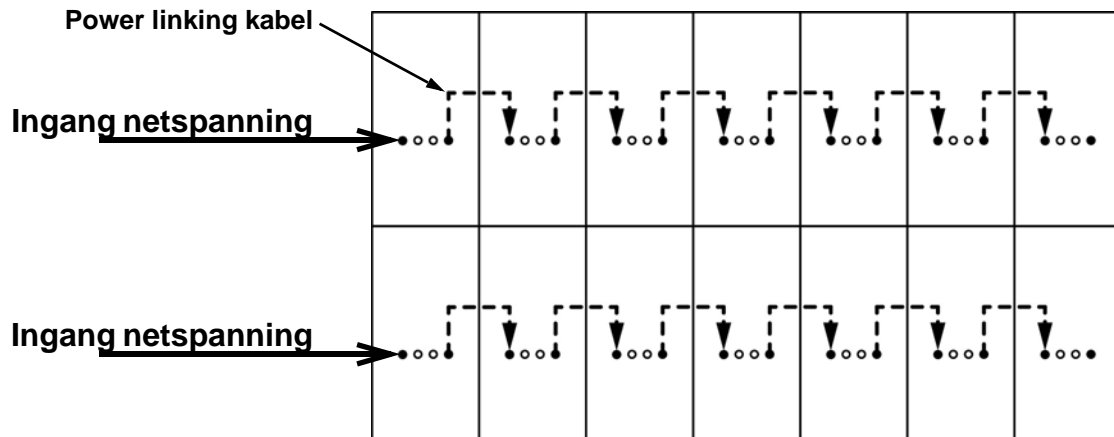
Raadpleeg het onderdeel [Power Linking](#) voor details over het aantal panelen dat op basis van spanning kan worden gekoppeld vanaf een enkele vermogensverbinding.



Het power linken van meer dan de aanbevolen panelen zal uw garantie doen vervallen en de kans op elektrocutie of brand verhogen!

Raadpleeg het volgende diagram voor een voorbeeld van stroomverbinding vanaf het spanningsnet voor elk verbonden paneel.

Dit voorbeeld gebruikt een F3 en koppelt middels power linking 7 panelen horizontaal @ 120 V.



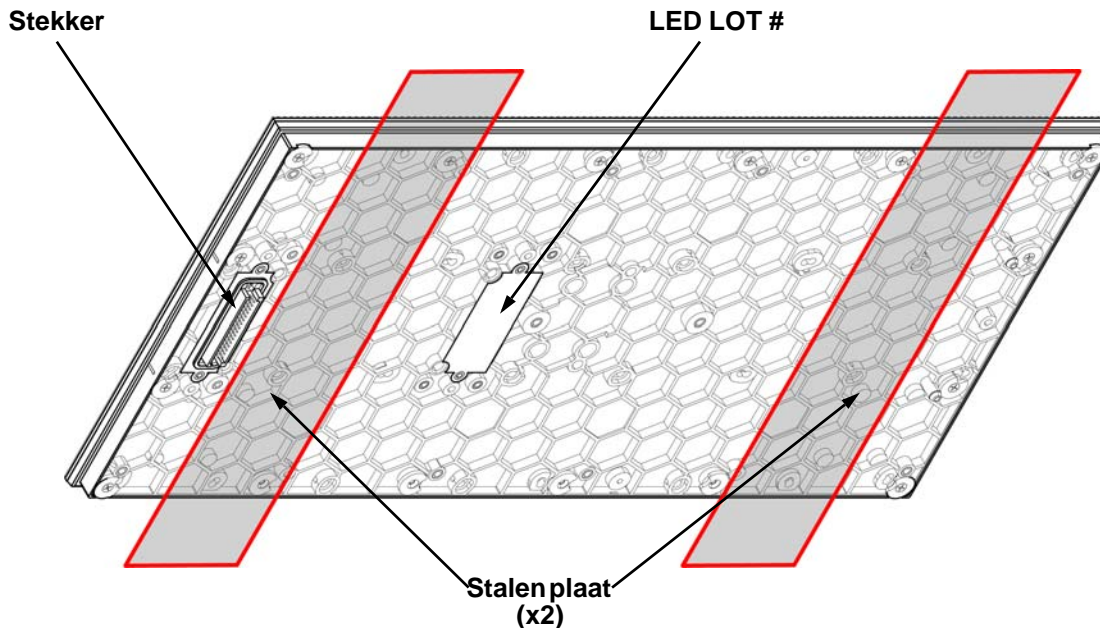
7. Verzorging en vervanging van de LED-module

F3 LED-module

Elke F3 heeft 4 LED-modules die aan het paneelframe zijn bevestigd met magneten. Elke module heeft een stekker die wordt aangesloten op de hoofdverwerkingseenheid.

Lot-nummers van de LED

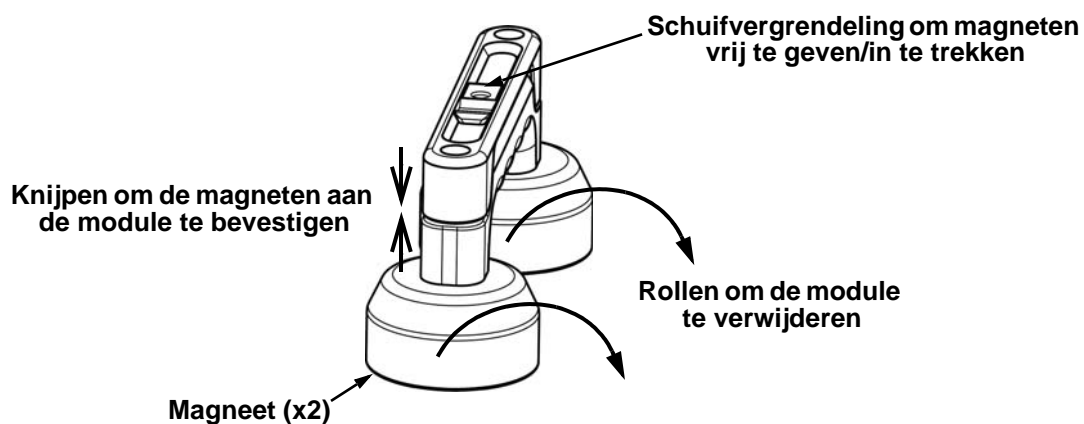
Om consistente kleuren en opbrengst te waarborgen, moet u beschadigde of defecte LED-modules alleen vervangen met dezelfde LOT-nr's als de andere LED's op het paneel. Bij het combineren van panelen voor het creëren van volledige videowandsystemen (verhuur, permanente installaties, etc.) wordt het ten zeerste aanbevolen dat de LED-LOT-nr's van de panelen met elkaar overeenkomen. LED LOT-nr's zijn achterop elk paneel te vinden.



A- en B-modules

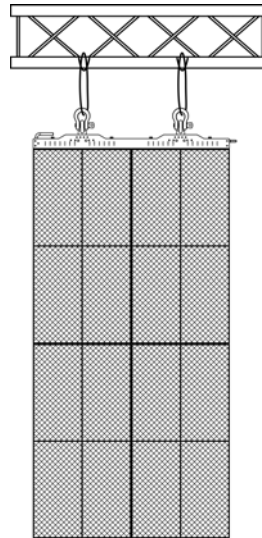
De F3 heeft 2 soorten modules, die zijn ontworpen om de onderhoudsmodule slechts vanaf één richting aan te koppelen. Controleer de oriëntatie van het LED LOT #-etiket om vast te stellen of de module van type A (bovenste helft, connector omlaag) of type B is (onderste helft, connector omhoog).

Gebruik van de MT-03

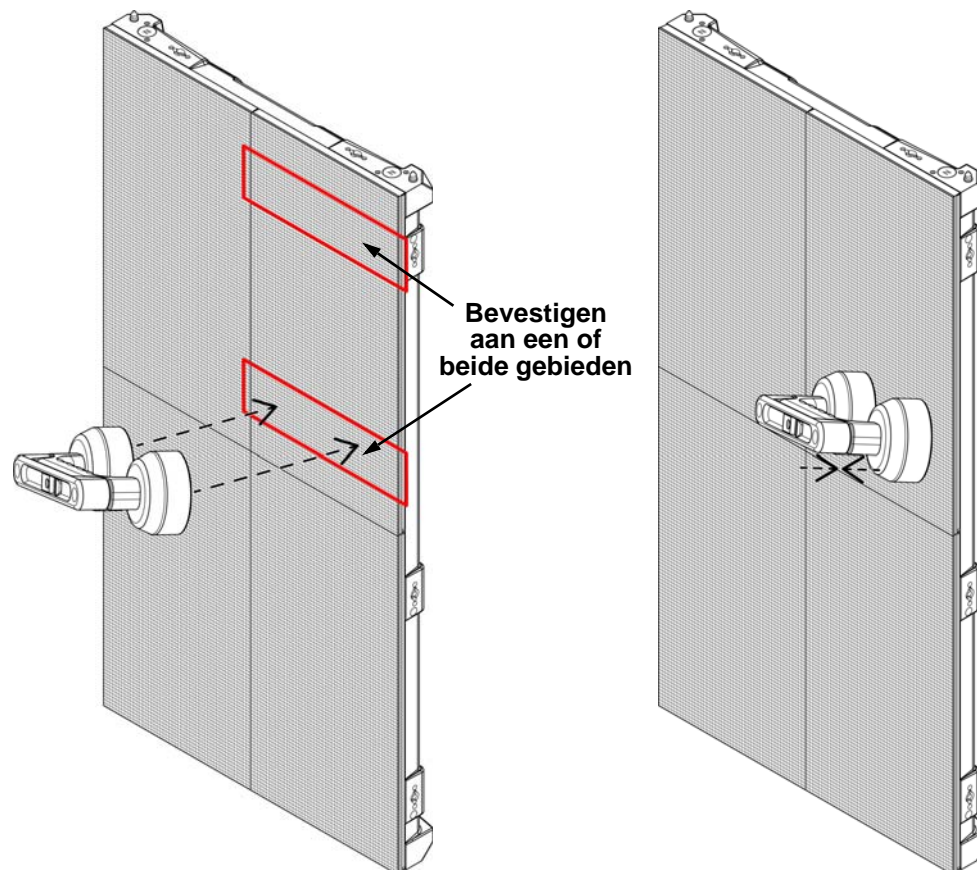


De MT-03 is speciaal ontworpen om de F3-LED-module voorzichtig voorzichtig te verwijderen en te vervangen van de voorzijde wanneer het paneel in een videowand is gemonteerd. Voordat u dit gereedschap gebruikt moet u zichzelf bekend maken met hoe dit gereedschap werkt, door alle installatie-/verwijderingsprocedures van de module te lezen.

F3 LED-moduleverwijdering met MT-03



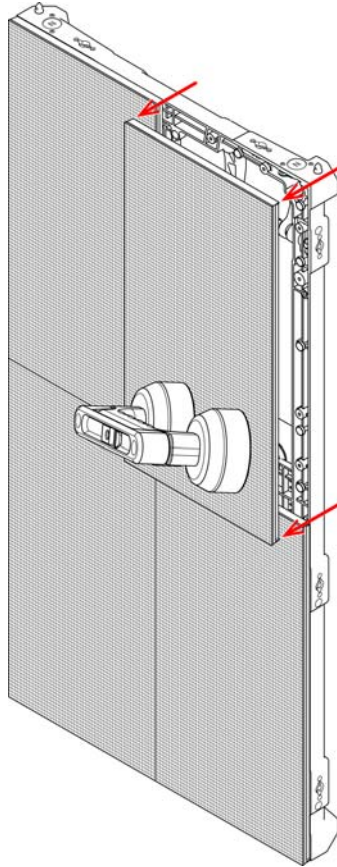
1. Identificeer de module die moet worden verwijderd.



2. Bevestig voorzichtig de MT-03 aan de boven- en/of onderzijde van de module die verwijderd moet worden. Plaats de MT-03 in de open stand tegen de module en knijp daarna in de handgreep om de magneten aan de module te bevestigen.



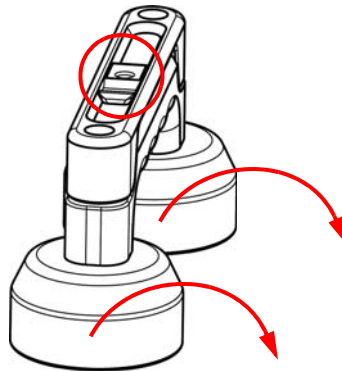
Er kan schade ontstaan als de MT-03 niet in de open stand staat wanneer het tegen de module aan wordt geplaatst.



3. Trek de MT-03 steeds steviger en zo recht mogelijk, totdat de module van het frame loskomt.



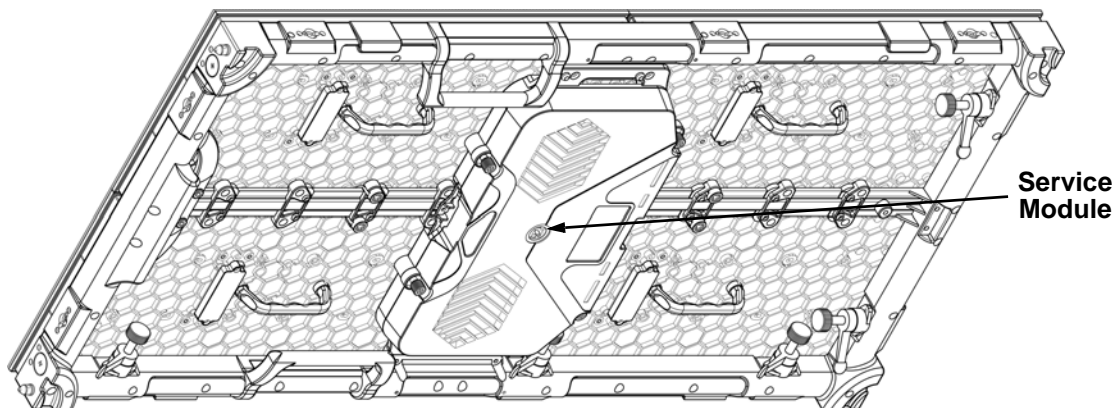
Wees bij het verwijderen van de module voorzichtig dat u de stekker, die is bevestigd aan de achterzijde van de module, niet beschadigt.



4. Rol de MT-03 voorzichtig naar de zijkant om het uit de module te verwijderen.
5. Gebruik de schuifregelaar achterop de MT-03 om de magneten in te trekken.
6. Voer de stappen in omgekeerde volgorde uit om vervangende module te installeren.

8. F3-paneelconfiguratie

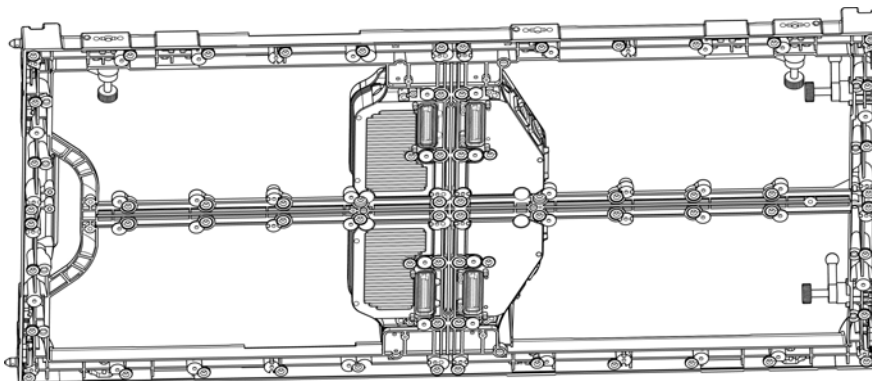
Schakelen tussen onderhoudsgemak aan de voor- en achterzijde



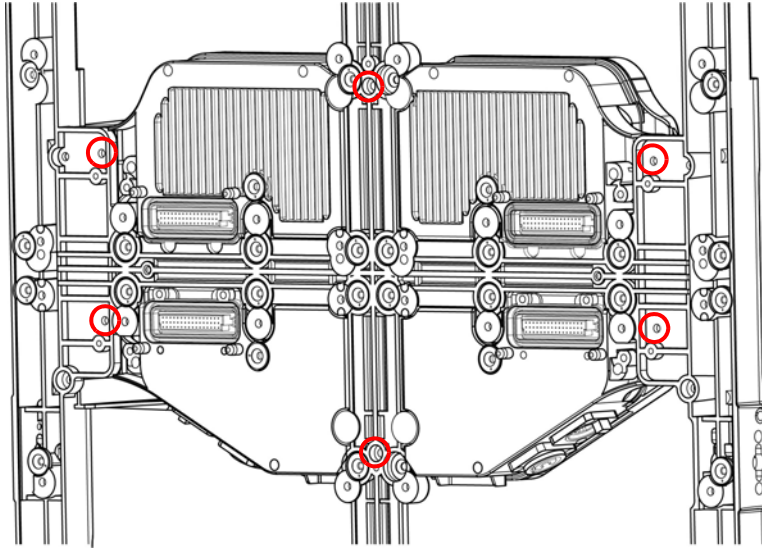
De F3-onderhoudsmodule kan worden geopend en verwijderd vanaf de voorzijde of de achterzijde van het paneel, afhankelijk van hoe de gebruiker het paneel heeft geconfigureerd. Hierdoor kan het paneel volledig aan de voorzijde worden onderhouden (standaard) of volledig aan de achterzijde, waardoor een monteur niet meerdere keren om een hele videowand hoeft te lopen voor onderhoud aan één paneel. Volg de onderstaande instructies om de F3 om te schakelen van onderhoudbaarheid aan de voorzijde tot onderhoudbaarheid aan de achterzijde:

De F3 moet aan de voorzijde te onderhouden zijn voor toepassingen zoals het monteren tegen een vlakke wand, waar er geen toegang is tot de achterzijde van de videowand.

De F3 kan aan de achterzijde te onderhouden zijn in een toepassing waar de achterzijde van de videowand eenvoudiger toegankelijk is dan de voorzijde.



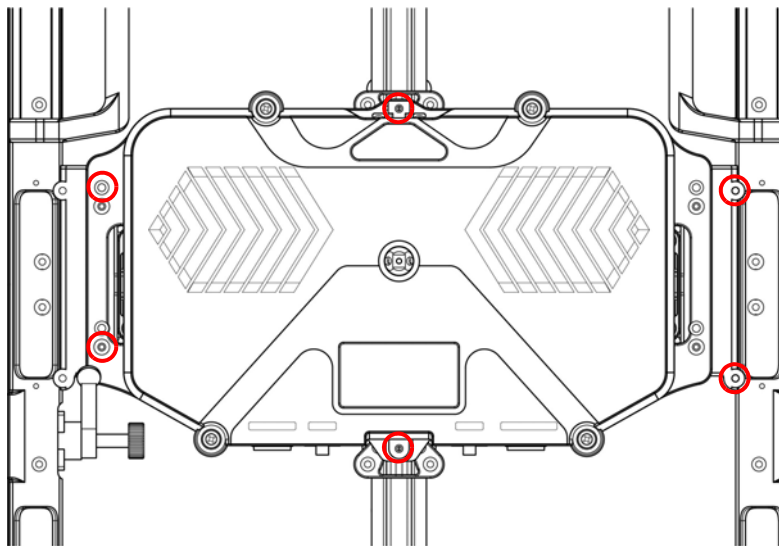
1. Verwijder de modules zoals is beschreven in [Verzorging en vervanging van de LED-module](#).



2. Verwijderen zes schroeven aan de voorzijde van de onderhoudsmodule.

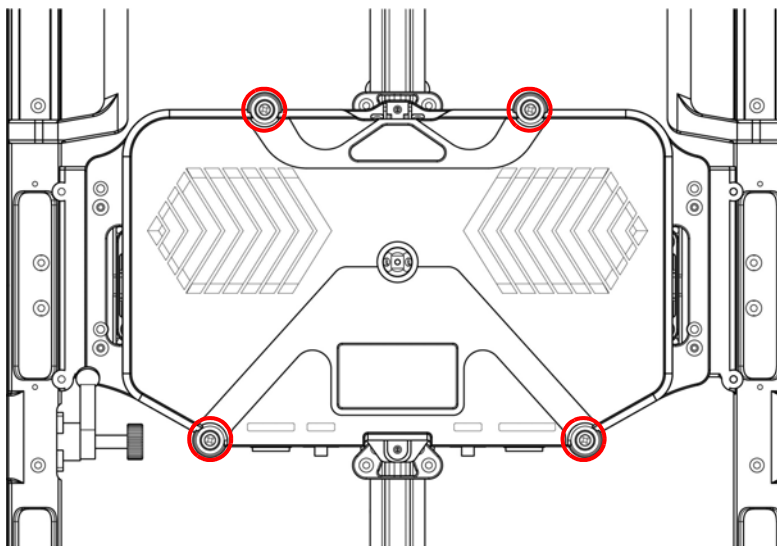


Wees voorzichtig bij het verwijderen van deze schroeven, aangezien de onderhoudsmodule van het paneelframe zal zijn losgemaakt totdat de volgende stap is voltooid.



3. Installeer deze schroeven in de achterzijde van de onderhoudsmodule.
4. Plaats de modules terug zoals is beschreven in [LED Module Care and Replacement](#).
5. Draai de stappen om, om het paneel weer onderhoudbaar aan de voorzijde te maken.

Toegang tot de onderhoudsmodule



Voor toegang tot de binnenzijde van de onderhoudsmodule verwijdt u de 4 duimschroeven.

9. Gebruikelijke F3-installatie

Doordat een videowandsysteem verschillende onderdelen kan bevatten voor een eenvoudig tot complex modulair wandontwerp, kunt u de volgende stappen gebruiken als algemene richtlijn om te starten.

Stap 1

Open en onderzoek de F3 roadcase om te controleren dat u alle producten en accessoires hebt ontvangen en dat alles in goede conditie is.

Stap 2

Sluit de voeding aan en voer voor elke F3 de zelftest uit om te controleren of alle LED's en inwendige aansluitingen in elk paneel werken (optioneel).

Stap 3

Creëer een stabiel montageoppervlak (bijv. spant of ander stabiel oppervlak) voor montage van de F3.

Stap 4

Monteer de bovenste rij F3s. Raadpleeg de sectie [Montage](#) in deze gebruikershandleiding.

Stap 5

Pas de uitlijning van de eerste rij aan met behulp van de Speego-aansluitingen.

Stap 6

Verbind de signaalbron met de VIP Drive 43Nova.

Stap 7

Sluit de VIP Drive 43Nova aan op de signaalpoort van het eerste paneel in uw verbindingsketen.

Stap 8

Op basis van uw videowandconfiguratie (ontwerp), voegt u elk paneel, horizontaal of verticaal samen, met de instructies in het onderdeel [Samenvoegen van elke F3 \(Creëren van een modulair ontwerp\)](#).

Raadpleeg de instructies en informatie in het onderdeel [Verbinden \(bekabelen\) van elke F3](#) van deze gebruikershandleiding.

10. Werking

Extra apparatuur en software

Naast de panelen heeft u ook andere apparatuur en software nodig om uw F3-videowandsysteem te ontwerpen, bouwen en bedienen. De volgende tabel geeft een samenvatting van deze extra artikelen—sommige zijn vereist en andere zijn optioneel.

Item	Beschrijving
VIP Drive 43Nova	Interface tussen de signaalbron, NovaLCT-Mars en de F3 die wordt gebruikt
NovaLCT-Mars	Softwaretoepassing die wordt gebruikt voor het ontwerpen en het plaatsen van de F3's die de videowand bevatten. Er is een PC nodig
F-Series Rig Bar (optioneel)	Bevat de apparatuur die nodig is om de F3 te monteren
Neutrik® etherCON® signaalverlenging (optioneel)	Neutrik etherCON CAT6 verlengkabel; 18 in. Neutrik etherCON CAT6 verlengkabel; 5 ft Neutrik etherCON CAT6 verlengkabel; 10 ft Neutrik etherCON CAT6 verlengkabel; 25 ft Neutrik etherCON CAT6 verlengkabel; 50 ft
Neutrik® powerCON® verlenging (optioneel)	Neutrik powerCON verlenging; 18 in Neutrik powerCON verlenging; 5 ft Neutrik powerCON verlenging; 10 ft Neutrik powerCON verlenging; 25 ft Neutrik powerCON verlenging; 50 ft
VIP Media System	Videocomputersysteem dat in een rek te monteren is
ArKaos MediaMaster	Videoafspeelsoftware

Over NovaLCT-Mars

NovaLCT-Mars is een krachtige, eenvoudig te leren softwaretoepassing die wordt gebruikt voor het ontwerpen en bedienen van het F3-videowandsysteem. Het nu volgende biedt inleidende informatie over deze software.

Raadpleeg de gebruikershandleiding voor VIP Drive 43Nova voor uitgebreide informatie en instructies over het instellen en gebruiken van VIP Drive 43Nova met uw Chauvet F3 videowandsysteem.

Beschrijving

Met NovaLCT-Mars kunt u uw videowand creëren en bedienen door de panelen te adresseren die zijn opgenomen in uw videowand, waaronder pixelafstand en layout.

Nadat u het fysieke ontwerp van het modulaire videowand hebt gecreëerd door de panelen samen te voegen, vermogen, signalen en het VIP Drive 43Nova aan te sluiten, maakt u dit ontwerp na binnen NovaLCT-Mars.

Uitgebreide informatie en instructies staan in de gebruikershandleiding van de VIP Drive 43Nova.



Chauvet raadt het gebruik van NovaLCT-Mars af voor het afspelen van een live show. Voor dit doeleinde biedt Chauvet de Arkaos MediaMaster aan, die verschillende afspelertriggers heeft, waaronder DMX, Art-Net, MA-net, MIDI en QWERTY.

11. Technische informatie

Onderhoud van de F3

Voor het behoud van optimale prestaties en om slijtage te minimaliseren, moet de gebruiker dit product regelmatig reinigen. Het gebruik en de omgeving zijn factoren die bijdragen aan het bepalen van de schoonmaakfrequentie.

Als vuistregel moet het product ten minste tweemaal per maand gereinigd worden. De ophoping van stof verlaagt de lichtemissieprestaties en kan oververhitting veroorzaken. Dit kan leiden tot een kortere levensduur van de lichtbron en verhoogde mechanische slijtage.

Volg onderstaande aanbevelingen om de F3, te reinigen:

1. Haal het paneel van de stroom.
2. Wacht totdat het product op kamertemperatuur is.
3. Gebruik een zachte borstel om stof te verwijderen dat zich heeft opgehoopt op de externe onderdelen.
4. Veeg de buitenzijde van de LED-modules af met een zachte, pluisvrije doek die is bevochtigd met een oplossing van water en reinigingsmiddel. Niet te hard drukken.
5. Controleer of alle verbinding goed zijn gedroogd voordat u de stroom- en signaalkabels weer aansluit.



Droog de externe oppervlakken altijd zorgvuldig na het reinigen.

Retouren

U moet het product gefrankeerd, in de originele doos en met de originele verpakking en accessoires opsturen. Chauvet geeft geen retourstickers af.

Bel Chauvet en vraag om een retouropdrachtformulier (RMA)-nummer vóór het verzenden van het product. Zorg dat u het modelnummer, serienummer en een korte beschrijving van de retouroorzaak bij de hand hebt.

Om een service aanvraag online in te dienen, ga naar www.chauvetprofessional.com/service-request.

Label het pakket duidelijk met een RMA-nummer. Chauvet weigert producten die worden geretourneerd met een RMA-nummer.



Schrijf het RMA-nummer NIET direct op de doos. Schrijf het in plaats daarvan op een goed bevestigd label.

Als u een RMA-nummer hebt gekregen, meld dan de volgende informatie op een stukje papier binnen de doos:

- Uw naam:
- Uw adres:
- Uw telefoonnummer
- Het RMA-nummer
- Een korte beschrijving van het probleem

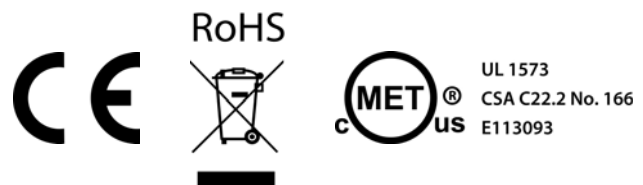
Zorg ervoor dat u het product voldoende inpakt. Alle verzendschade die resulteert uit onvoldoende verpakking is de verantwoordelijkheid van de klant. FedEx-verpakking of dubbele dozen worden aanbevolen.



Chauvet behoudt zich het recht voor om (het) geretourneerde product(en) naar eigen inzicht te repareren of te vervangen.

12. Technische specificaties

Lichtbron	Driekleurige SMD 2121 LED
Pixels per paneel	128 x 256 (32.768 totaal)
Pixelafstand (tussen LED's)	3,9 mm
Pixeldichtheid	65.536/m ²
Verversingssnelheid van de display	3.840 Hz
Kijkhoek	140°
Verlichtingssterkte	1.500 NITS
Maximum Illuminance	TBD NITS
Rode golflengte	619 naar 624 nm
Groene golflengte	522 naar 525 nm
Blauwe golflengte	468 naar 471 nm
Type voedingsmodule	Shakelend
AC spanningsbereik	100–240 VAC, 50/60 Hz
Spanningsselectie	Automatisch wisselend bereik
Stroomverbruik 120 V, 60 Hz	263 W, 2,18 A
Stroomverbruik 208 V, 60 Hz	265 W, 1,28 A
Stroomverbruik 230 V, 50 Hz	269 W, 1,16 A
Power Linking @ 120 V, 60 Hz	8 eenheden
Power Linking @ 208 V, 60 Hz	14 eenheden
Power Linking @ 230 V, 50 Hz	15 eenheden
Afmetingen	19,69 x 3,5 x 39,37 in (500 x 89 x 1000 mm)
Gewicht	28,6 lb (13 kg)
Transparantie	0%
Materiaal van de behuizing	Magnesium gietbehuizing
Stroomaansluiting	Seetronic Powerkon [®]
Gegevensaansluiting	Seetronic Etherkon [®]
Productnaam (4-pak roadcase)	F3X4
Productnaam (1-pak)	F3X1
Artikelcode (4-pak roadcase)	23091316
Artikelcode (1-pak)	23111317
UPC-code (4-pak roadcase)	781462216641
UPC-code (1-pak)	781462216658



Neem contact op

Wereldwijd hoofdkantoor	
Algemene Informatie	Technische support
Adres: 5200 NW 108th Ave. Sunrise, FL 33351 Bandopname: (954) 577-4455 Fax: (954) 929-5560 Toll Free: (800) 762-1084	Bandopname: (844) 393-7575 Fax: (954) 756-8015 E-mail: chauvetcs@chauvetlighting.com
	Website www.chauvetlighting.com
EUROPA	
Algemene Informatie	Technische support
Adres: Stokstraat 18 9770 Kruishoutem Belgium Bandopname: +32 9 388 93 97	E-mail: eutech@chauvetlighting.eu
	Website www.chauvetlighting.eu
Algemene Informatie	Technische support
Adres: Unit 1C Brookhill Road Industrial Estate Pinxton, Nottingham, UK NG16 6NT Bandopname: +44 (0) 1773 511115 Fax: +44 (0) 1773 511110	E-mail: uktech@chauvetlighting.com
	Website www.chauvetlighting.co.uk
MEXICO	
Algemene Informatie	Technische support
Adres: Av. de las Partidas 34 - 3B (Ingang Calle 2) Zona Industrial Lerma Lerma, Edo. de México, CP 52000 Bandopname: +52 (728) 690-2010	E-mail: servicio@chauvet.com.mx
	Website www.chauvet.com.mx

Bezoek de toepasselijke website hierboven om onze contactgegevens te verifiëren en de instructies te bekijken om ondersteuning te vragen. Buiten de VS, het Verenigd Koninkrijk, Ierland, Mexico of de Benelux kunt u contact opnemen met de officiële distributeur.